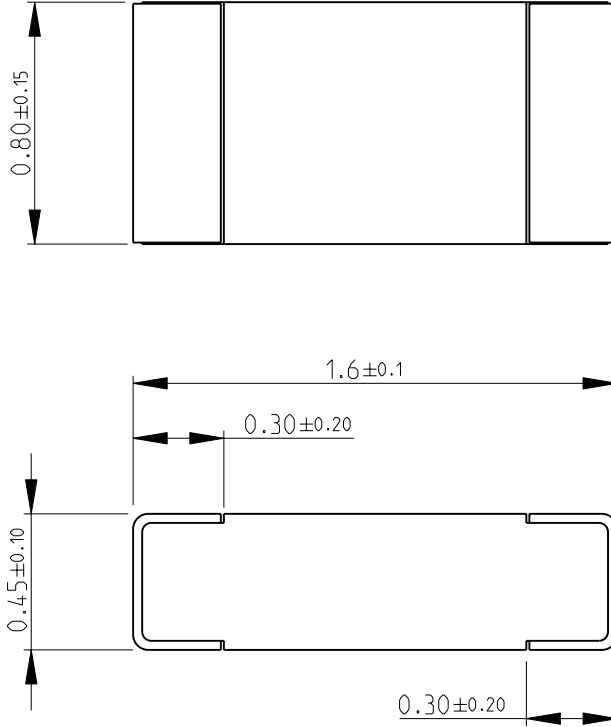
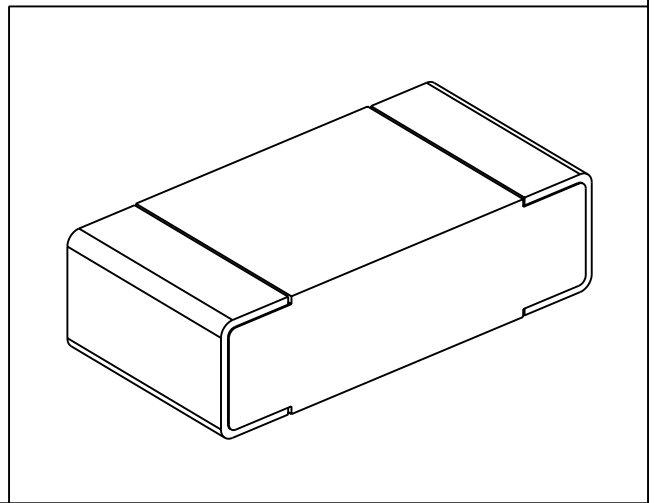


|     |      |           |     |             |           |     |      |
|-----|------|-----------|-----|-------------|-----------|-----|------|
| LOC | DIST | REVISIONS |     |             |           |     |      |
| E   | B    | P         | LTR | DESCRIPTION | DATE      | DWN | APVD |
|     |      |           | BA  | NEW RELEASE | 04-NOV-08 | SM  | St.P |

FOR FURTHER INFORMATION SEE DATA SHEET FOR  
CRG SERIES-THICK FILM CHIP RESISTORS



RoHS Compliant



2008

RELEASED FOR PUBLICATION

THIS DRAWING IS UNPUBLISHED.

BY TYCO ELECTRONICS CORPORATION. ALL RIGHTS RESERVED.



|  |                  |           |  |           |             |               |
|--|------------------|-----------|--|-----------|-------------|---------------|
| DIMENSIONS:<br>mm                      | DWN              | 04-NOV-08 | MATERIAL   | -         | FINISH      | -             |
|  | CHK              | 04-NOV-08 | Tyco Electronics Corporation<br>Dorcan, Swindon, SN3 5HH |           |             |               |
| TOLERANCES UNLESS OTHERWISE SPECIFIED: | APVD             | 04-NOV-08 |  |           |             |               |
| 0 PLC $\pm 0.5$                        | STEPHEN.P        |           | NAME<br>THICK FILM CHIP RESISTORS<br>SERIES CRG 0603     |           |             |               |
| 1 PLC $\pm 0.2$                        | PRODUCT SPEC     | -         |  |           |             |               |
| 2 PLC $\pm 0.1$                        | APPLICATION SPEC | -         | SIZE   | CAGE CODE | DRAWING NO  | RESTRICTED TO |
| 3 PLC $\pm -$                          |                  |           | A 4  | 00779     | © = 1622946 | -             |
| 4 PLC $\pm -$                          | WEIGHT           | -         | CUSTOMER DRAWING   |           |             |               |
| ANGLES $\pm 5^\circ$                   |                  |           | SCALE  | 40:1      | SHEET       | 1 OF 1        |
|  |                  |           |  |           | REV         | BA            |