

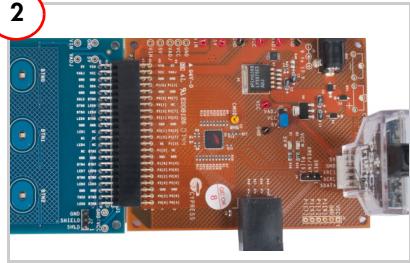
1



1. Insert the kit DVD in the DVD drive.
2. Install PSoC Designer and PSoC Programmer.

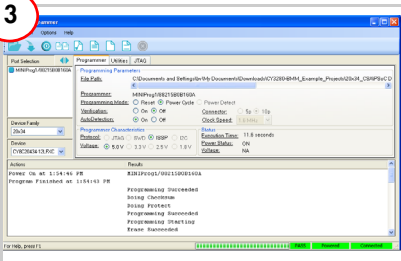
Note The hardware prerequisites for this kit are CY3280-20x34 Universal CapSense Controller (UCC) board and MiniProg1.

2



1. Connect the CY3280-BSM board to the CY3280-20x34 UCC board's P2 connector.
2. In the CY3280-20x34 board, place the jumper on header J1 to short pins 2 and 3. In the CY3280-BSM board, place the jumper on header J2 to short pins 2 and 3.
3. Connect MiniProg1 to the CY3280-20x34 UCC board's ISSP connector (J3). Connect it to your PC using a USB cable.

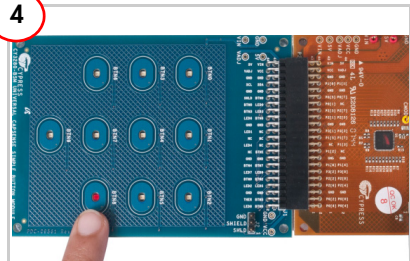
3



1. In PSoC Programmer, click File > File Load. Browse and load *CY3280_BSM_20x34.hex*.
2. Click the Connect button. Select Power Cycle mode
3. Click the Program button.
4. Click the Toggle power button.

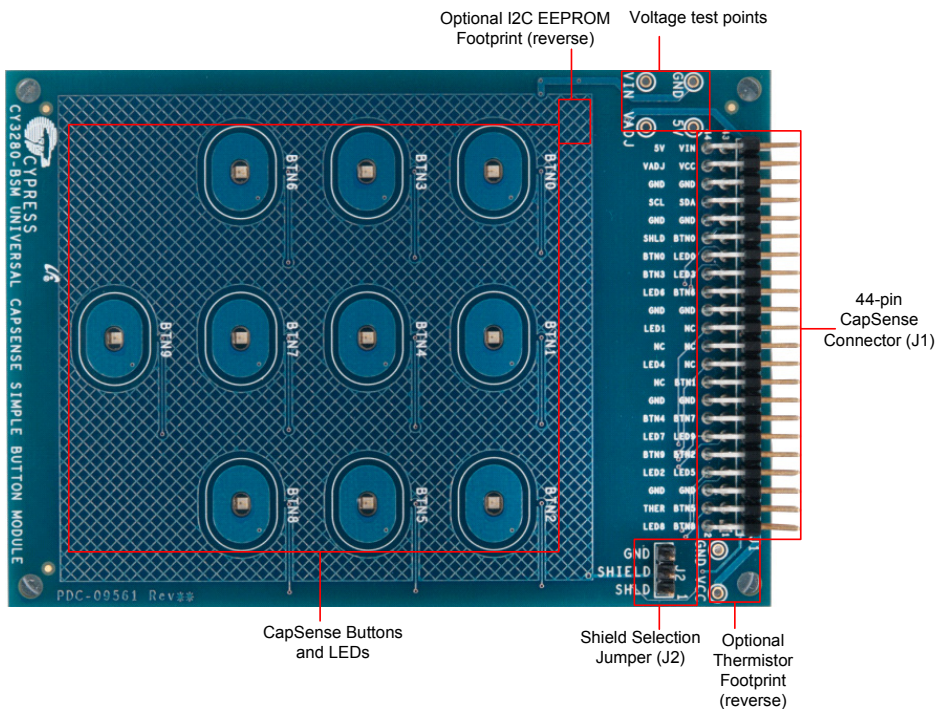
Note The hex file is located at:
<Install_directory>\Cypress\
CY3280-BSM\<version>\Firmware\
20x34_CSA\CY3280_BSM_20x34\
CY3280_BSM_20x34\

4



1. When you touch a button, the corresponding LED on the module board lights up, indicating the button you touched.
2. Touch the same button to turn off the LED. You can touch multiple buttons simultaneously.

CY3280-BSM Kit Details



Note For more details on code examples, see the PDF accompanying the project in the Firmware folder (for example, Readme_BSM_20x34.pdf) in the directory: <Install directory>\Cypress\CY3280-BSM\<version>\Firmware\20X30_CSA\.

CY3280-BSM can be used with any of the following UCCs: CY3280-20x66, CY3280-24x94, or CY3280-21x34 (ordering part number is CY3280-BK1).

For the latest information about this kit, visit
www.cypress.com/go/CY3280-BSM

