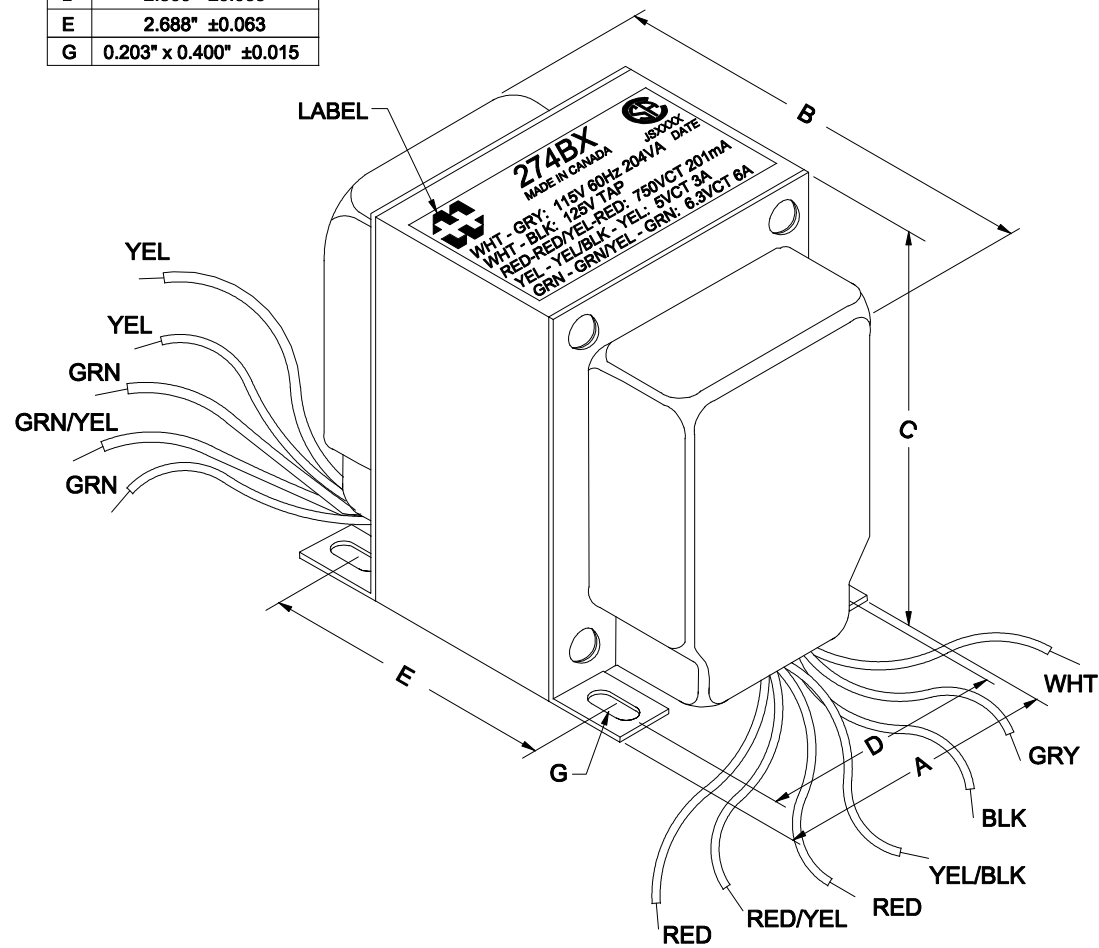
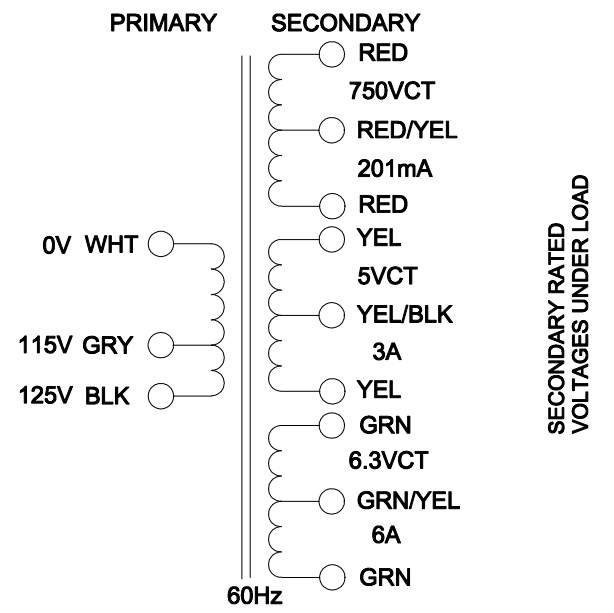


DIMENSIONS:	
A	3.125" ±0.063
B	3.936" ±0.125
C	3.800" ±0.063
D	2.500" ±0.063
E	2.688" ±0.063
G	0.203" x 0.400" ±0.015



NOTE: ALL LEADS 6" OUT MIN. STRIPPED 0.5"



ELECTRICAL DATA:		
TESTS	CONDITIONS	ACCEPTANCE CRITERIA
Iex	@ 125V, 60Hz, WHT - BLK	355.2mA Max.
Sec. N.L.V	@ 125V, 60Hz, WHT - BLK	
	RED - RED =	791.0V ±2%
	RED - RED/YEL = RED/YEL - RED =	395.5V ±2%
	YEL - YEL =	5.371V ±2%
	YEL - YEL/BLK = YEL/BLK - YEL =	2.686V ±2%
	GRN - GRN =	6.836V ±2%
	GRN - GRN/YEL = GRN/YEL - GRN =	3.418V ±2%
DCR	@ 20°C, WHT - BLK =	1.350 Ω ±20%
	@ 20°C, RED - RED =	81.35 Ω ±20%
	@ 20°C, YEL - YEL =	0.039 Ω ±20%
	@ 20°C, GRN - GRN =	0.027 Ω ±20%
HIPOT	PRIMARY - SECONDARY	3000V, 60Hz, 1 SEC

REV.#	REVISION	DATE
0	RELEASED. C.I.	11/28/12

HAMMOND ELECTRONIC DIVISION
MANUFACTURING
 52 RANKIN PLACE, WATERLOO, ONTARIO, N2J 3Z5
 PH # (519) 886-6181
 FAX # (519) 886-9540

DWG. BY: C. ILIE CHK'D BY: TITLE: POWER TRANSFORMER
 DATE: 11/28/12 APP'D. BY: DIMENSIONS: IN(X) MM() DWG. NO. 274BX