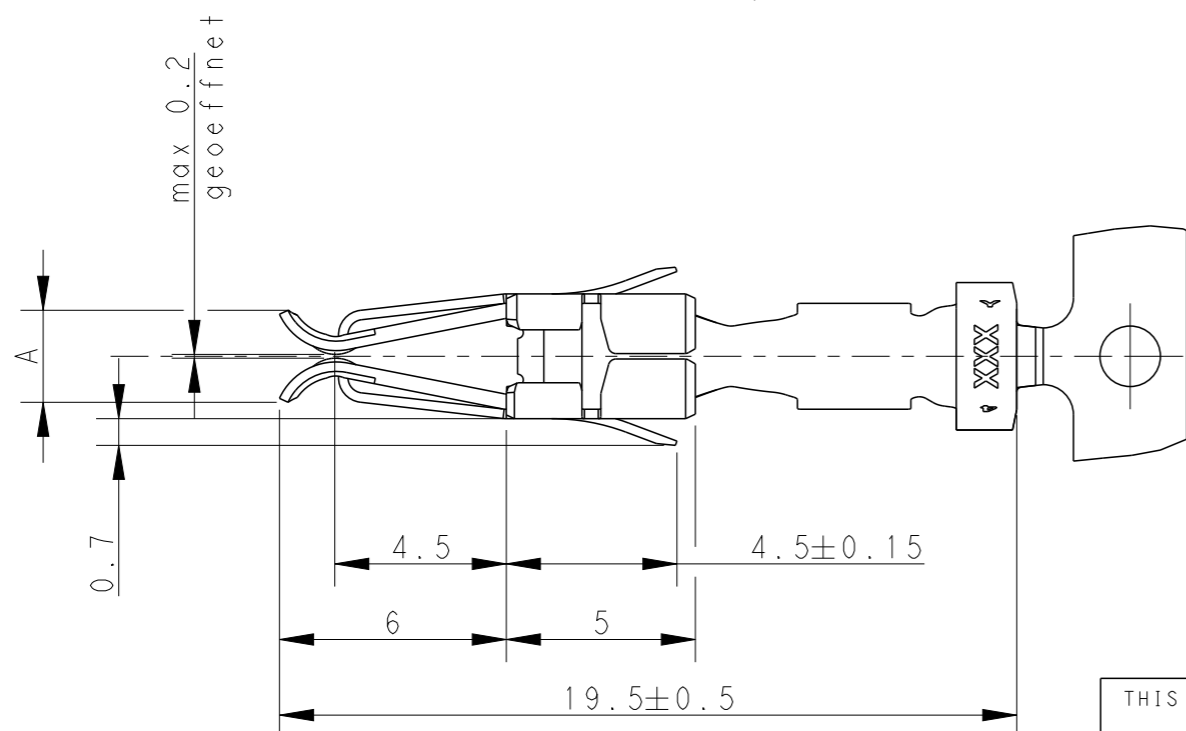
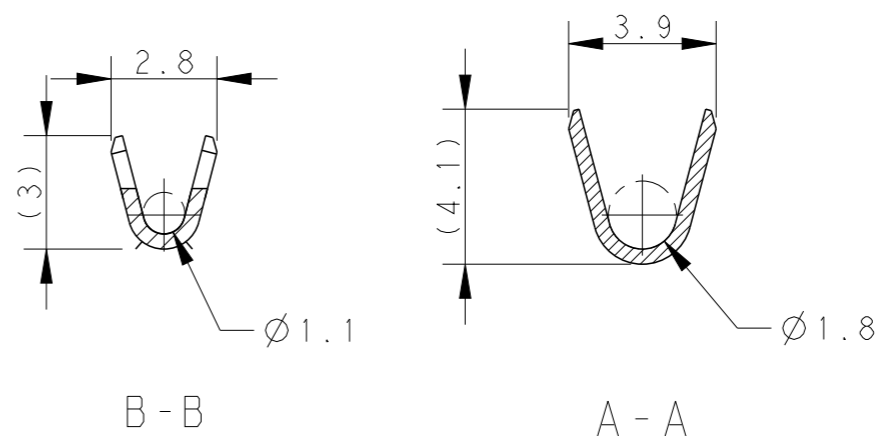
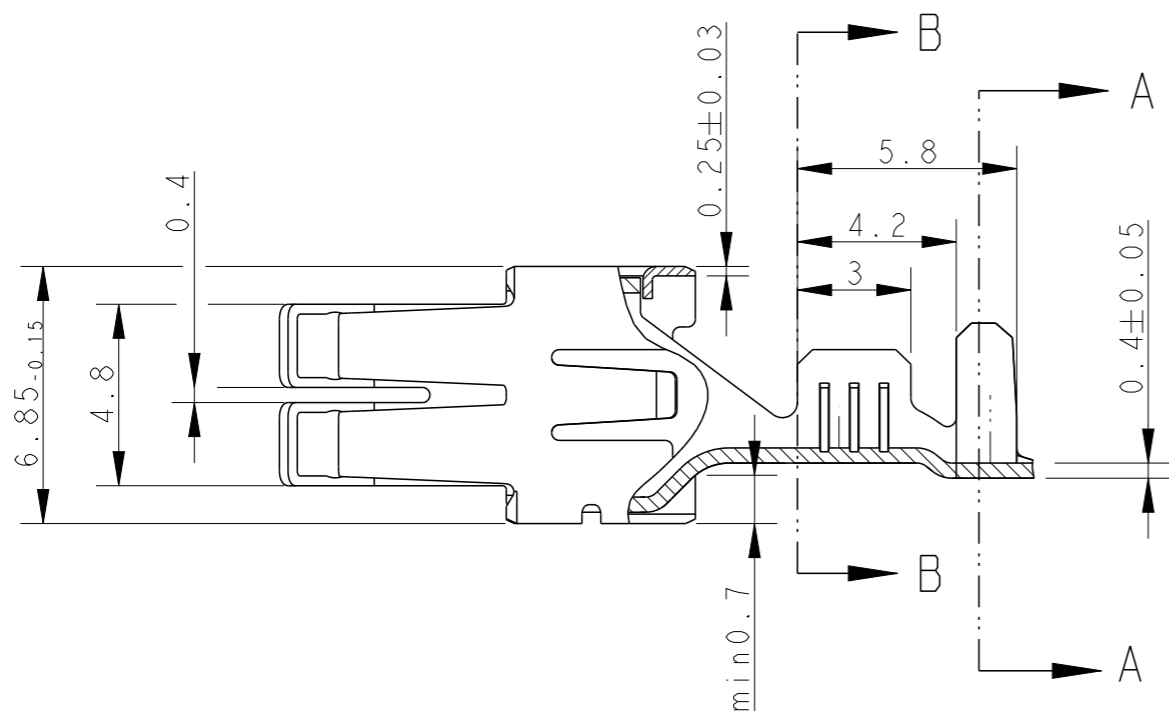


REVISIONS

P	LTR	DESCRIPTION	DATE	DWN	APVD
A2		OFFICIAL DRAWING ACTIVE	18Aug2015	SL	RR
A3		ECR-16-004045	17MAR2016	KD	RR
A4		ECR-16-010013	19JUL2016	KD	RR
A5		ECR-16-013486	22SEP2016	KD	RR



1 PRELIMINARY - NOT RELEASED FOR PRODUCTION

2 ONLY FOR 3-927827-1 & 3-927827-2, DIMENSIONS HAVE TO FOLLOW STEET 2
- INSULATION RANGE: Ø2.0 - 2.7
- INSULATION BARREL DIMENSION

2.3 ±0.15	PRESILVERED	CuFe2	3-927831-5	A
2.3 ±0.15	PRESILVERED	CuSn4	3-927831-4	A
2.3 ±0.15	PRETINNED	CuSn4	3-927831-2	A
2.5	PRETINNED	CuFe2	2825197-1	A
A	FINISH	MATERIAL	PN	REV

THIS DRAWING IS A CONTROLLED DOCUMENT.

DWN 27MAR2015 SUDHAKAR N S

CHK 31MAR2015 L. FEDERICO

APVD 31MAR2015 R. RICCARDO

PRODUCT SPEC 108-18025

APPLICATION SPEC 114-18037

WEIGHT -

Customer Drawing

STE TE Connectivity

NAME STANDARD-POWER-TIMER CONTACT

-

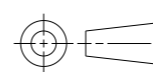
-

SIZE A3 CAGE CODE - DRAWING NO C=2825197 RESTRICTED TO -

SCALE 5:1 SHEET 1 OF 2 REV A5

DIMENSIONS:

mm



TOLERANCES UNLESS OTHERWISE SPECIFIED: ±0.2

0 PLC	±-
1 PLC	±-
2 PLC	±-
3 PLC	±-
4 PLC	±-
ANGLES	±-
FINISH	-

INSUL. RANGE Ø1.4-2.1 mm	WIRE RANGE Ø0.5-1.0 mm ²
-----------------------------	--

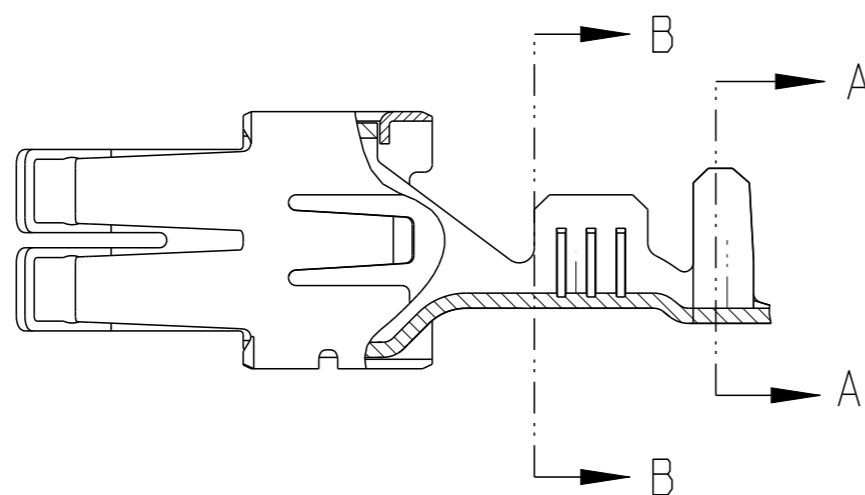
MATERIAL -

FINISH -

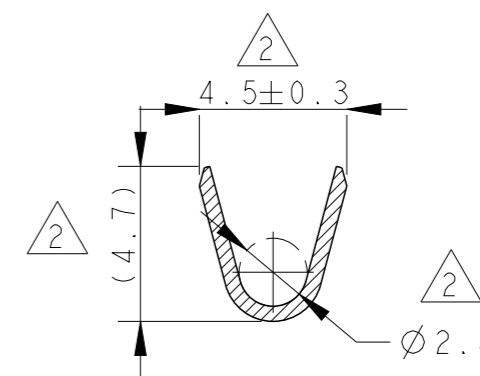
REVISIONS

P	LTR	DESCRIPTION	DATE	DWN	APVD
-	-	SEE SHEET 1	-	-	-

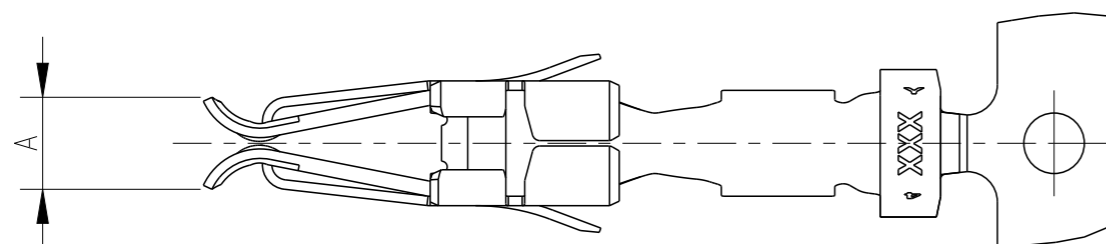
ONLY FOR 3-927827-1 & 3-927827-2
OTHERS DIMENSION SEE SHEET 1



B - B

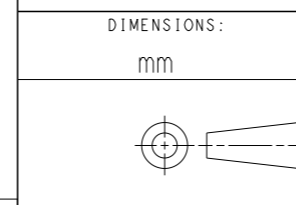


A - A



2.3 ±0.15	PRETINNED	CuSn4	△2	3-927827-2	A
2.3 ±0.15	PRETINNED	CuFe2	△2	3-927827-1	A
A	FINISH	MATERIAL	PN	REV	

THIS DRAWING IS A CONTROLLED DOCUMENT.



DIMENSIONS:	TOLERANCES UNLESS OTHERWISE SPECIFIED:
mm	±0.2
0 PLC	±-
1 PLC	±-
2 PLC	±-
3 PLC	±-
4 PLC	±-
ANGLES	±-
FINISH	-

DWN	27MAR2015
CHK	31MAR2015
APVD	31MAR2015
PRODUCT SPEC	108-18025
APPLICATION SPEC	114-18037
WEIGHT	-



NAME			
STANDARD-POWER-TIMER CONTACT			
SIZE	CAGE CODE	DRAWING NO	RESTRICTED TO
A3	-	©-2825197	-

INSUL. RANGE Ø 2.0-2.7 mm	WIRE RANGE Ø 0.5-1.0 mm ²
------------------------------	---

MATERIAL	-
FINISH	-

Customer Drawing	SCALE 5:1	SHEET 2 OF 2	REV A5
------------------	-----------	--------------	--------