

5

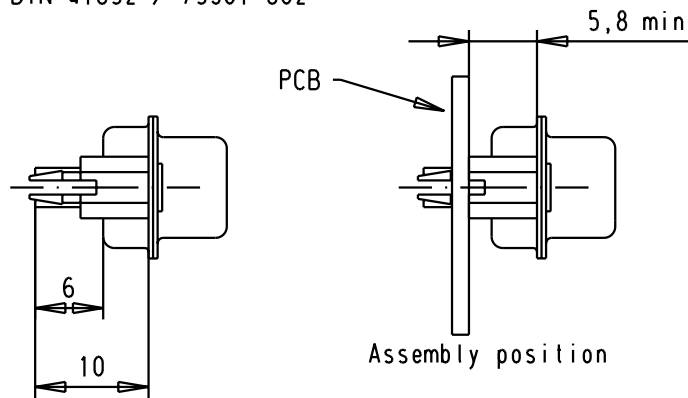
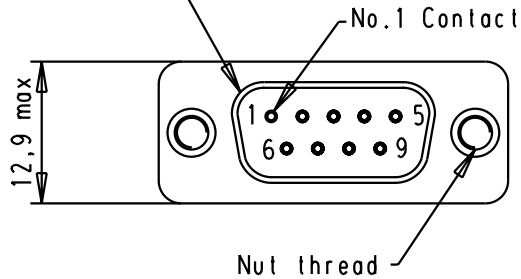
4

3

2

1

Mating face according to : MIL -C-24308 / DIN 41652 / 75301-802

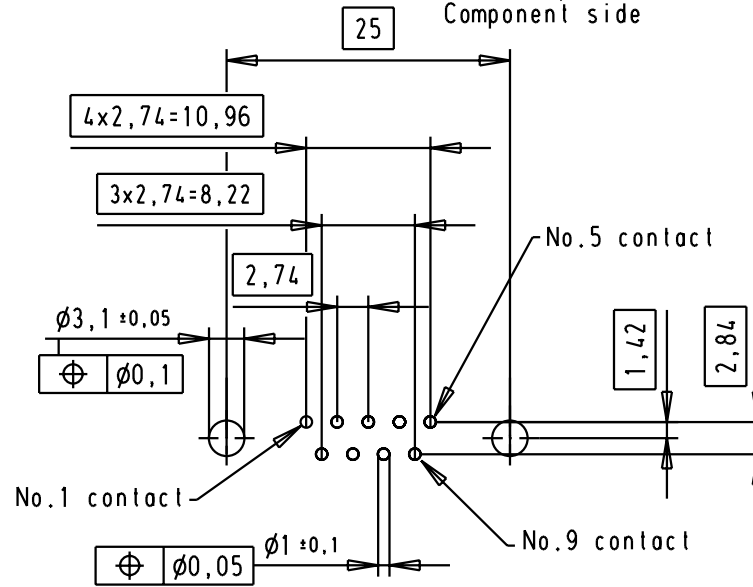
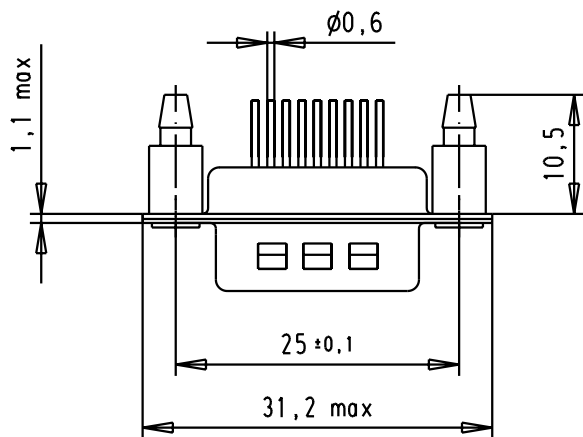


SPECIFICATION

| | |
|-----------------------|----------|
| Mating Cycles | 200 |
| Capacitance | 47pf±20% |
| Working Voltage | 100v |
| Current Rating | 7,5A |
| Insulation Resistance | >1GΩ |

| FREQUENCY (MHz) | ATTENUATION dB |
|-----------------|----------------|
| 5 | - |
| 10 | - |
| 50 | - |
| 100 | - |
| 500 | 30dB |
| 1000 | 35dB |

PCB Layout Component side



A

| | | | | | | | | | | |
|-------------|------------|--|-------|----------|---------|-------------------------------|--|---|---------------------------------|------|
| | | | | | Dat. | Name | All Dim. in mm Orig. Size DIN A 4 | D-Sub, male, straight, 9 Poles, with turned solder pin, spacer nut with clip | No?Mslab/ Scale 1.5:1 | |
| | | | | | Detail. | 8-JUL-02 | | | | CV |
| | | | | | Insp. | | | | | |
| | | | | | Stand. | | | | | |
| 09641227216 | M3 | | | | | | | | | |
| 09641227215 | UNC 4-40 | | 31058 | 8-JUL-02 | CV | HARTING EURL F-95972 Paris | | TB 0964122721x | Blatt/ Page 2 / 3 | |
| Part number | Nut thread | | Mod. | Dat. | Name | | | | | Sub. |