

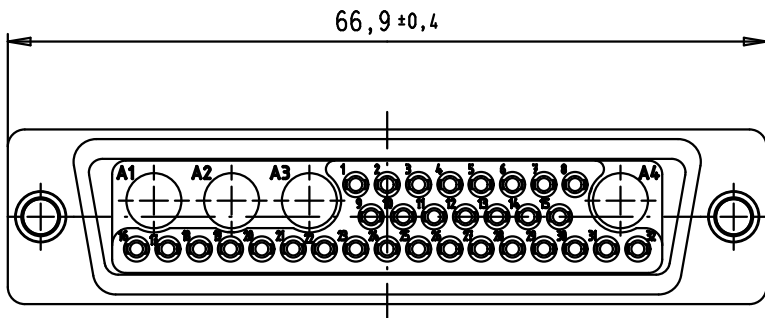
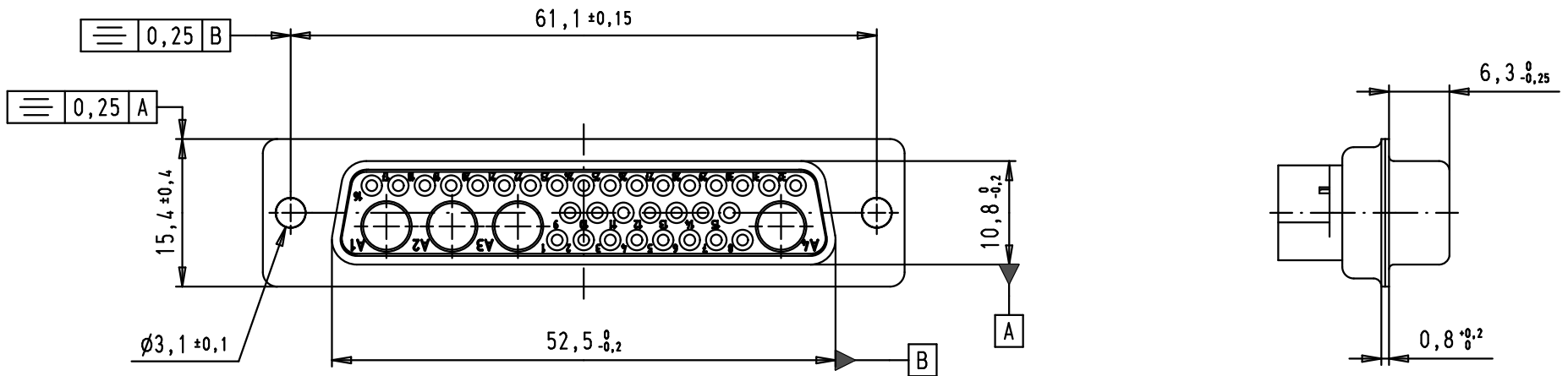
5



4

3

2

1



				Dot.	Name	 All Dim. in mm Orig. Size DIN A 4	D-Sub, female, crimp, straight, 36W4, without power contacts, without data contacts, tin plated shell with fixing holes	Maßstab/ Scale 1,5:1
			Detail.	14/12/06	PK			
			Insp.					
			Stand.					
33921	14/12/06	PK	HARTING EURL F-95972 Paris				TB 09 69 502 0364	Blatt/ Page 1 / 1
Mod.	Dot.	Name						

D

C

B

A