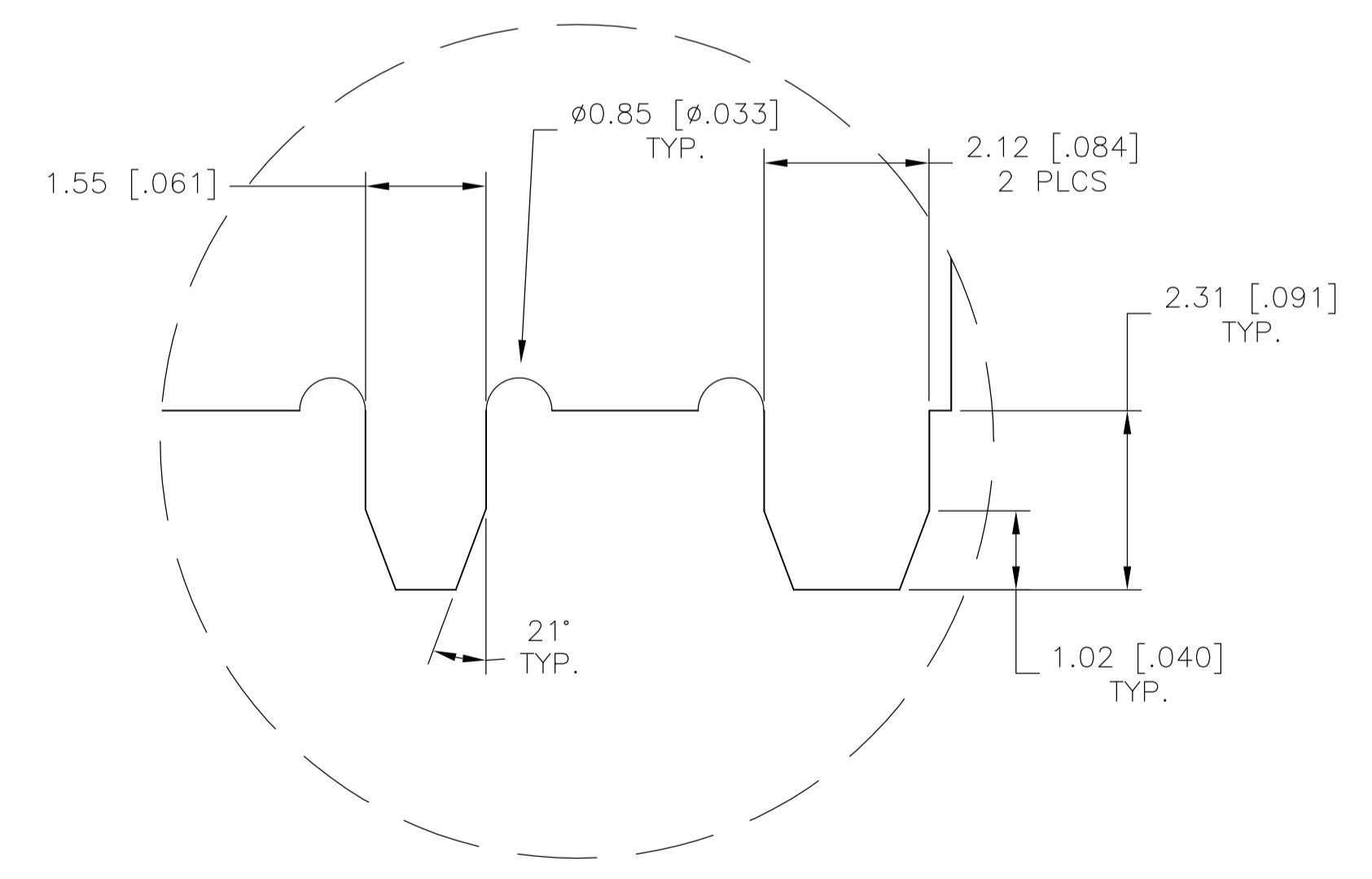


1513317-1 AS SHOWN
PRIMARY SIDE



DETAIL A
SCALE 13:1

NOTES: UNLESS OTHERWISE SPECIFIED.

- FABRICATE TO MEET IPC - 6012, CLASS 2.
INSPECT TO MEET IPC - A - 600, CLASS 2.
- PRIMARY SIDE AND SECONDARY SIDE SHOWN.
- MATERIAL: GETEK 8 PLY (7628) 1.47 [.059] THK.
GRADE RG200D 1/2 OZ. COPPER BOTH SIDES.
DIELECTRIC CONSTANT @ 1MHZ 4.2±0.1.
- FINISH:
A: SOLDERMASK OVER BARE COPPER (SMOBC).
B: MASK BOTH SIDES OF PCB WITH LPI SOLDERMASK.
SOLDERMASK COLOR: NATURAL GREEN.
C: TOP AND BOTTOM OF TABS E.N.I.G PLATING
- TWO PLACE TOLERANCES: ±0.23
- PACKAGING: SINGULATED PARTS TO BE VACUUM PACKED IN BULK.
- PARTS ARE COMPLIANT TO ROHS STANDARDS PER TYCO ELECTRONICS STANDARD TEC-138-702.
- CONSULT TYCO ELECTRONICS DATA SHEET DS1513317
- CONTACT TYCO ELECTRONICS ENGINEERING PRIOR TO DESIGNING INTO AN APPLICATION

THIS DRAWING IS A CONTROLLED DOCUMENT.		DIN D.WALLACE 05NOV2009	Tyco Electronics Corporation Harrisburg, PA 17105-3608
DIMENSIONS: mm [INCHES]		CHK G.GRIFFITH 05NOV2009	
TOLERANCES UNLESS OTHERWISE SPECIFIED:		APVD G.GRIFFITH 05NOV2009	NAME WLAN 2.54 MHz ANTENNA
0 PLC ± -		PRODUCT SPEC	SIZE A1
1 PLC ± -		APPLICATION SPEC	CAGE CODE 00779
2 PLC ± -		WEIGHT	DRAWING NO 1513317
3 PLC ± -		RESTRICTED TO	SCALE 1:1
4 PLC ± -		CUSTOMER DRAWING	SHEET 1 OF 1
ANGLES ± -			REV A