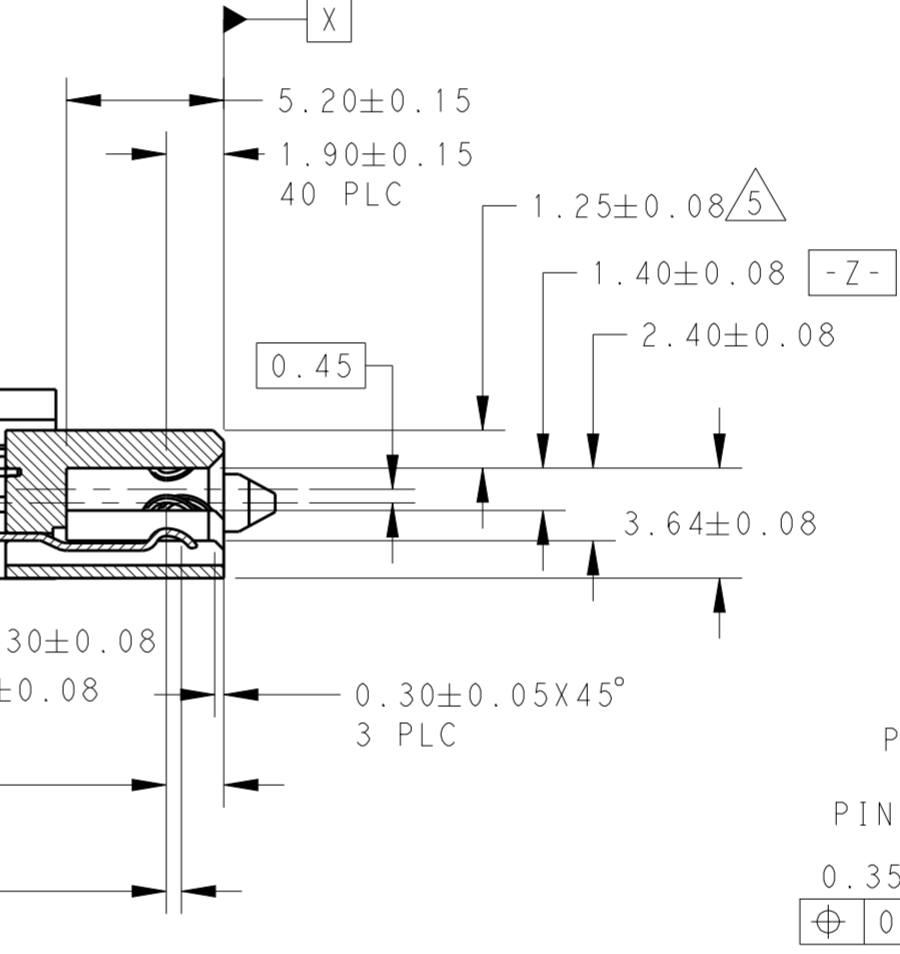
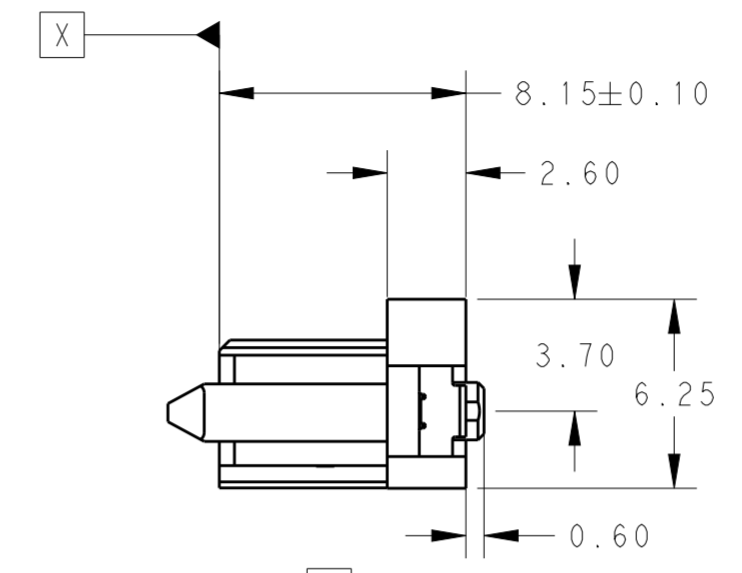
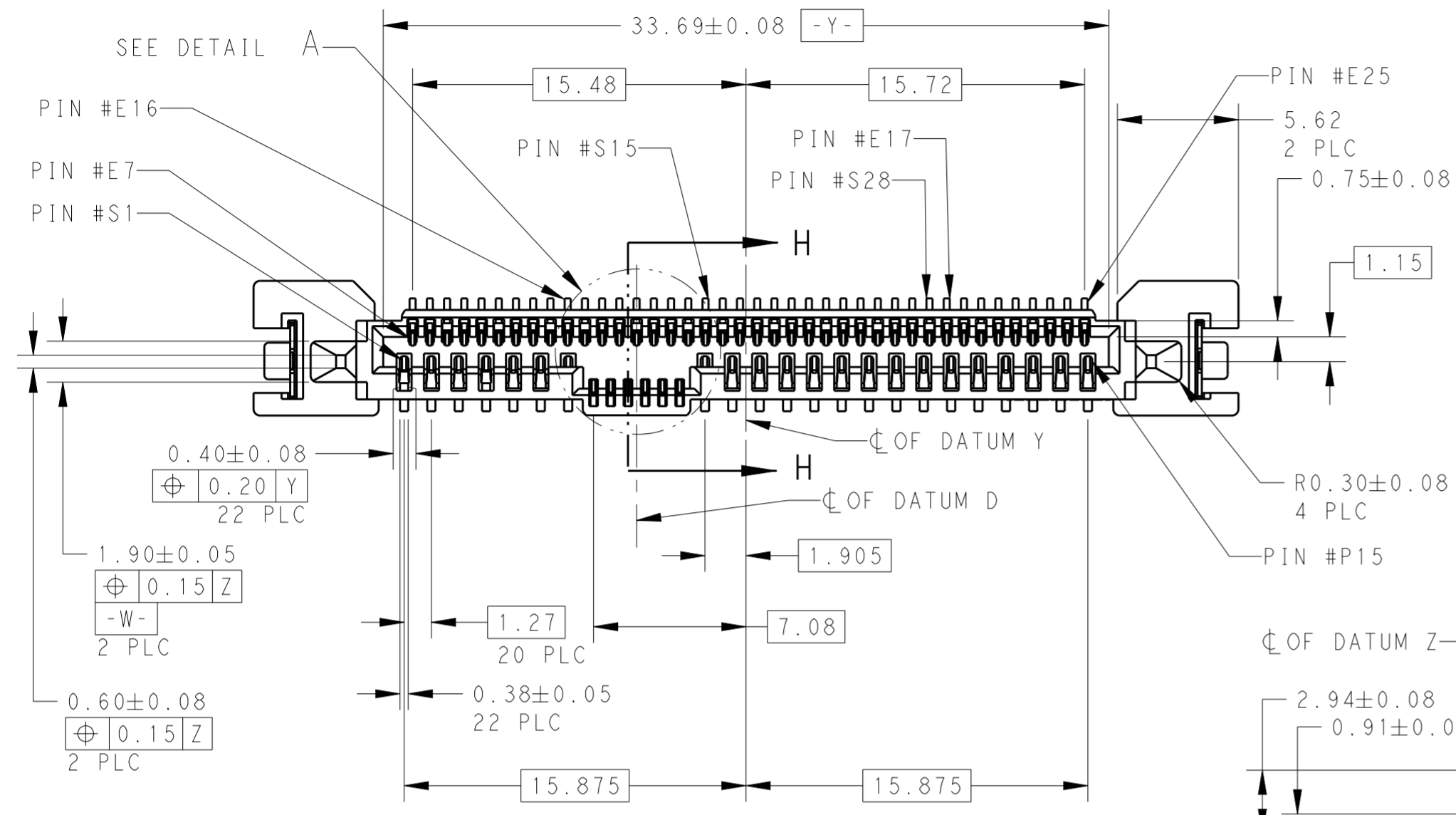


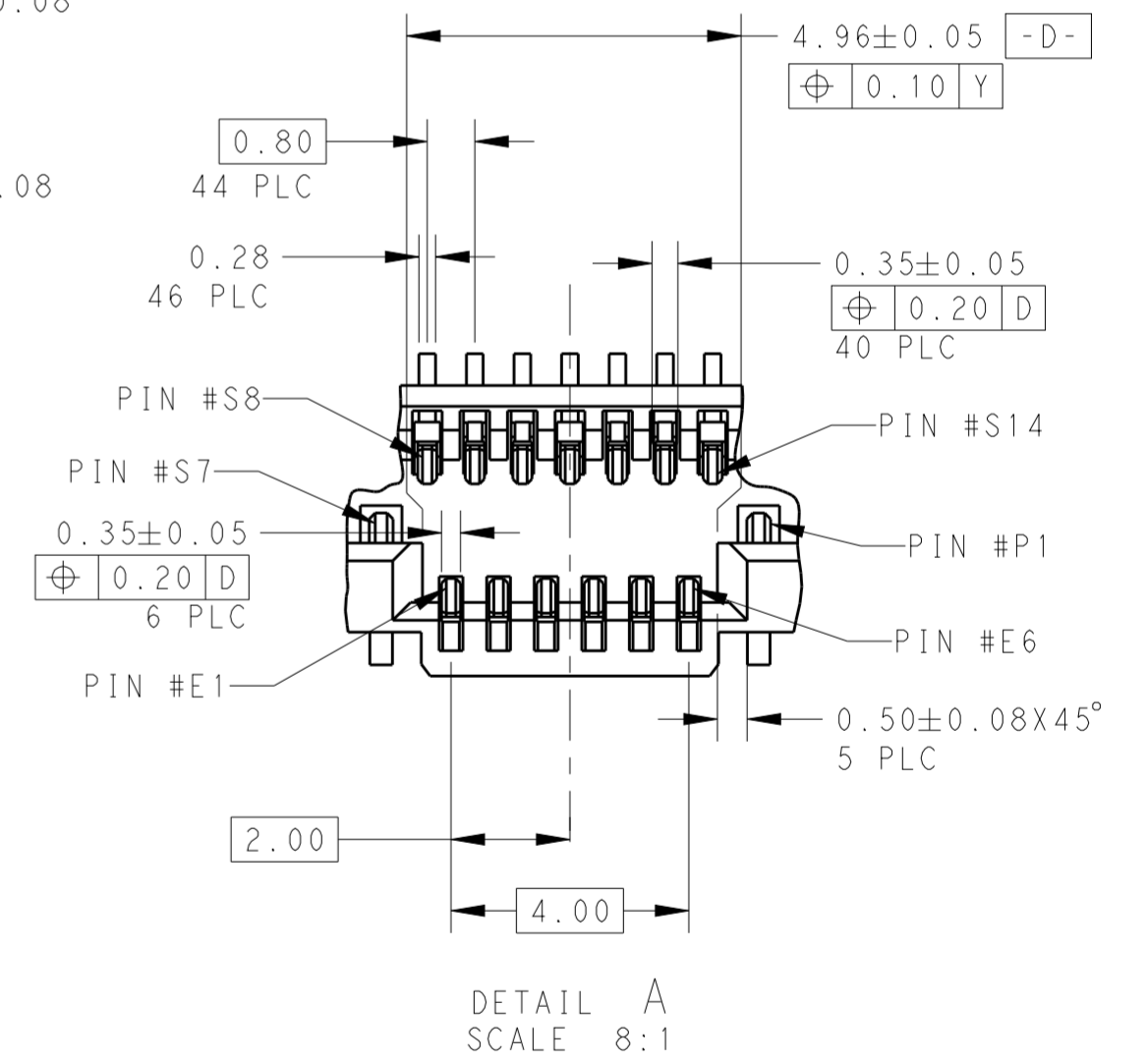
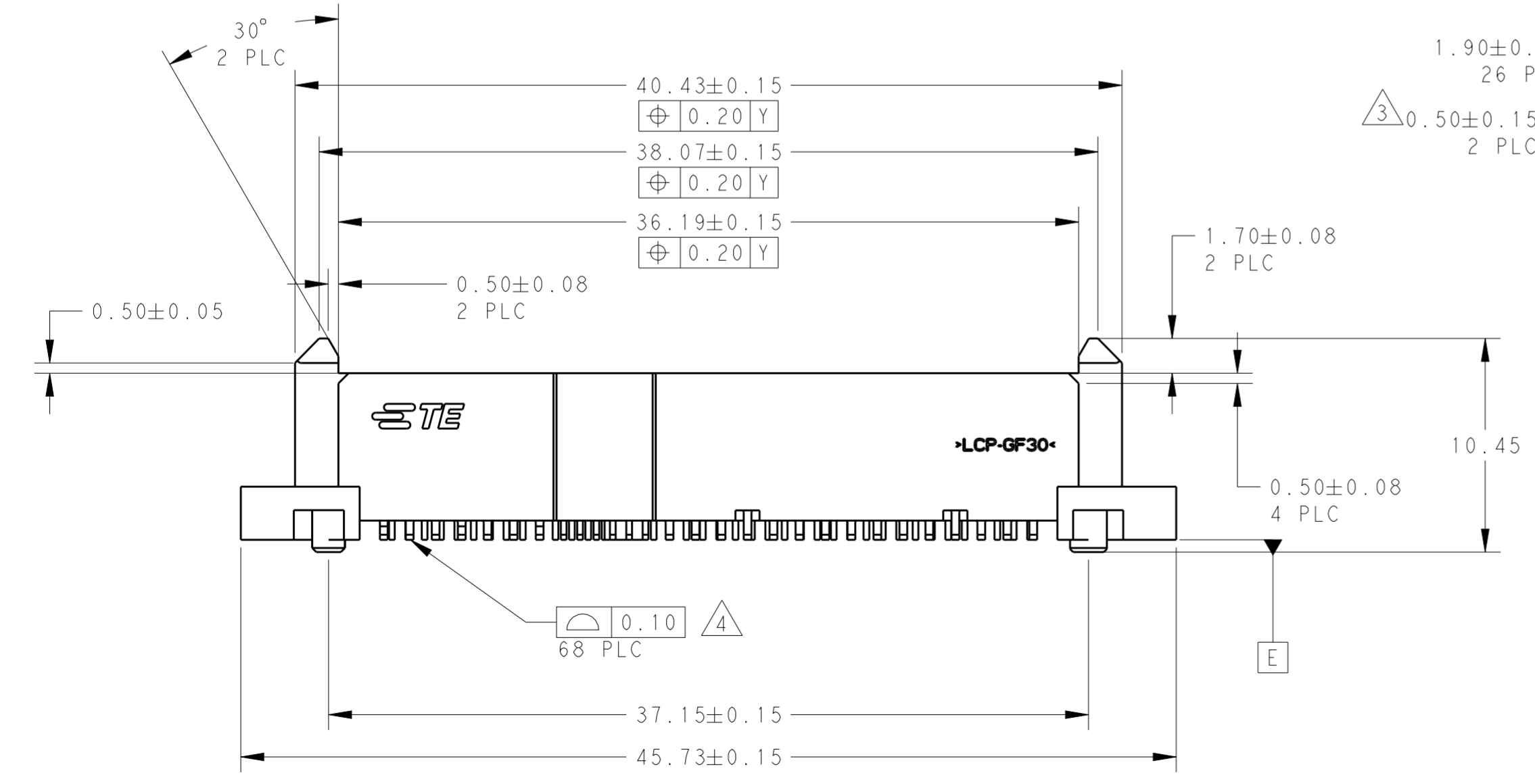
THIS DRAWING IS UNPUBLISHED. RELEASED FOR PUBLICATION 20
 © COPYRIGHT 20 BY - ALL RIGHTS RESERVED.

REVISIONS					
P	LTR	DESCRIPTION	DATE	DWN	APVD
A		RELEASED FOR PRODUCTION	04MAR2016	TX	SH



SECTION H-H
SCALE 4:1

- NOTES:
- 1 MATERIAL:
HOUSING: HIGH TEMP THERMOPLASTIC, UL94V-0,
COLOR: BLACK
CONTACT: COPPER ALLOY
BOARDLOCK: COPPER ALLOY
 - 2 FINISH:
CONTACT AREA: MIN 0.76µm GOLD PLATING
SOLDERTAIL: MIN 2.54µm MATTE TIN PLATING
UNDERPLATE: MIN 1.27µm NICKEL PLATING
 - 3 PIN #P4 AND #P12 ONLY
 - 4 SOLDERTAIL TO BE 0.05 MAX ABOVE
AND 0.10 MAX BELOW DATUM E
 - 5 1.33 MAX MEASURED AT DATUM C



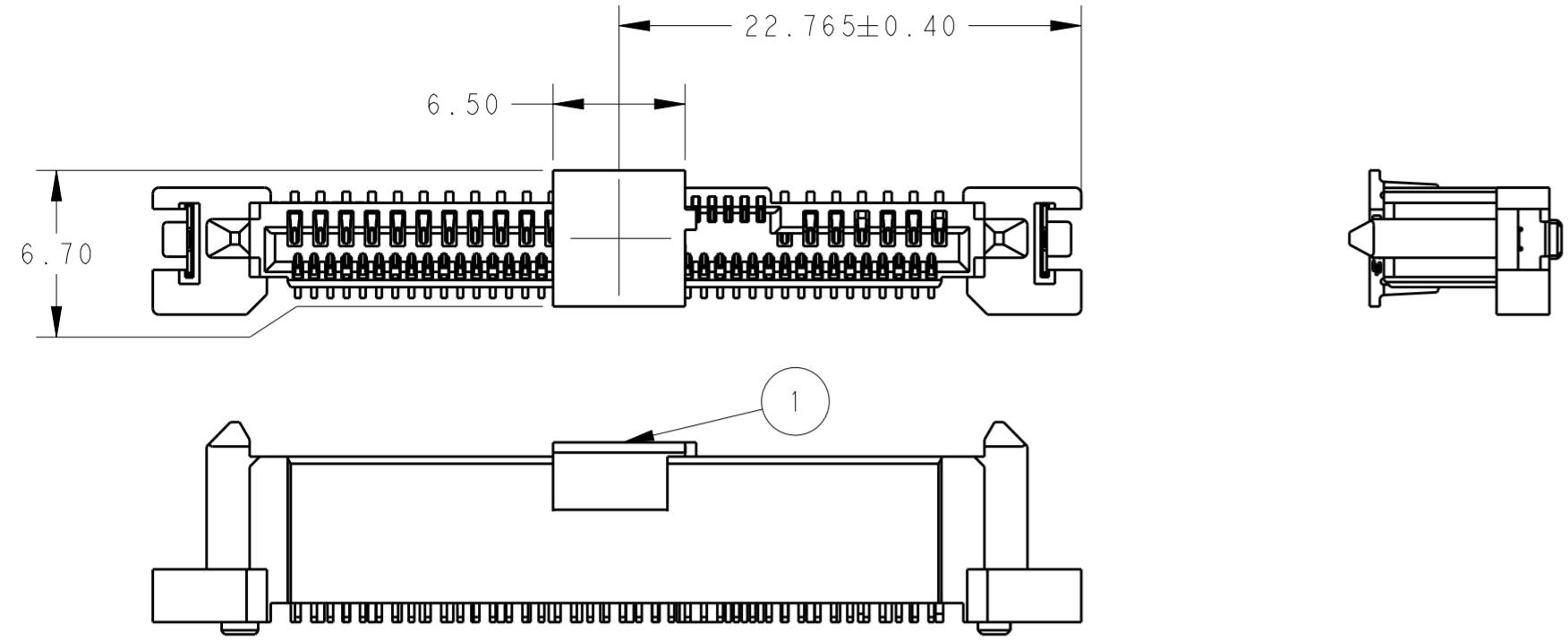
DETAIL A
SCALE 8:1

YES	2170560-2
NO	2170560-1
PICK-UP CAP (1)	PART NUMBER

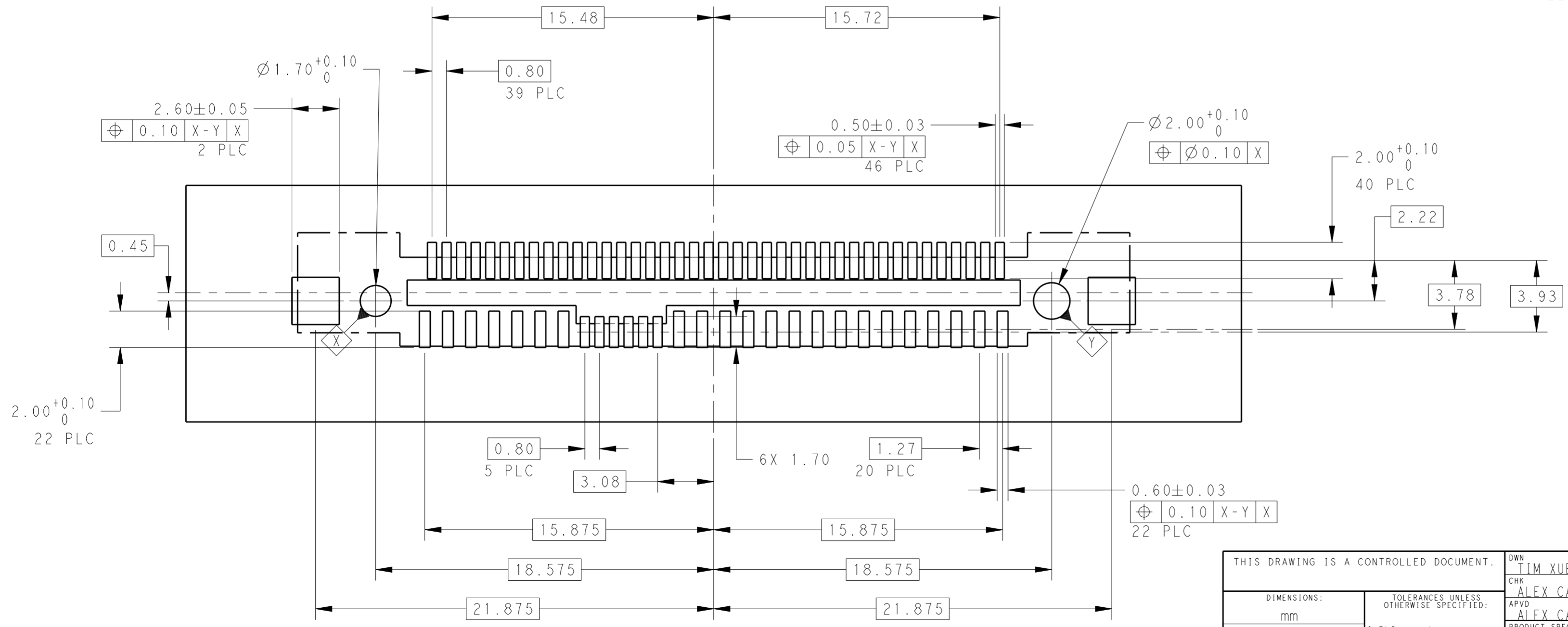
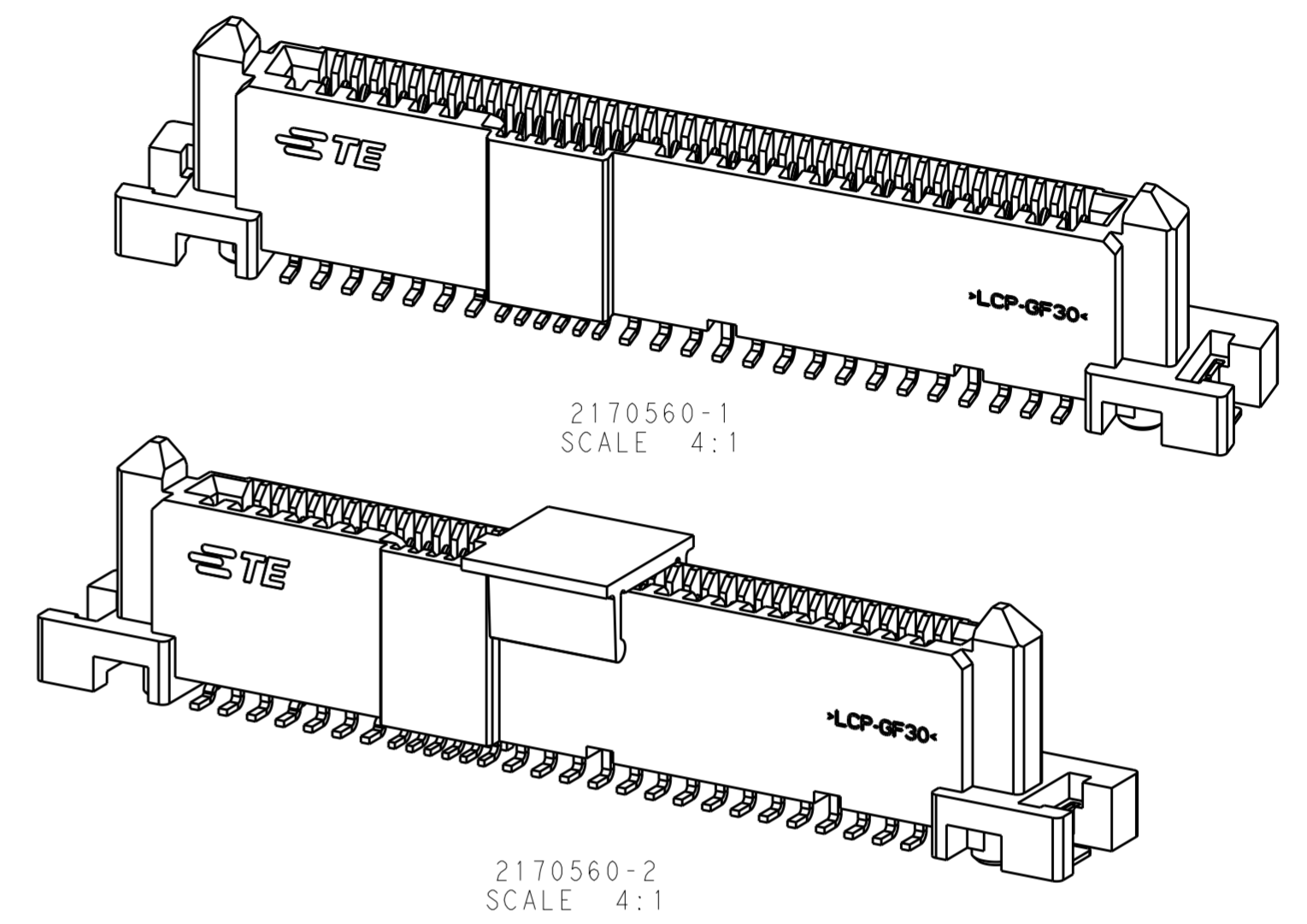
THIS DRAWING IS A CONTROLLED DOCUMENT.		DWN TIM XUE 20 JUN 2013	TE Connectivity	
DIMENSIONS: mm		CHK ALEX CAI 20 JUN 2013		
TOLERANCES UNLESS OTHERWISE SPECIFIED:		APVD ALEX CAI 20 JUN 2013	NAME 12G SAS/PCIe COMBO RECEPTACLE, STANDARD 15P+6P+7P+40P	
0 PLC ± 1 PLC ±0.20 2 PLC ±0.20 3 PLC ±0.20 4 PLC ±0.0001° ANGLES ±1° FINISH -		PRODUCT SPEC 108-51109	SIZE A2	
MATERIAL		APPLICATION SPEC 114-60017	CAGE CODE -	DRAWING NO C-2170560
		WEIGHT -	RESTRICTED TO -	
		CUSTOMER DRAWING	SCALE 2:1	SHEET 1 OF 2
			REV A	

THIS DRAWING IS UNPUBLISHED. RELEASED FOR PUBLICATION 20
 © COPYRIGHT 20 BY - ALL RIGHTS RESERVED.


REVISIONS				
P	LTR	DESCRIPTION	DATE	APVD
-	-	SEE SHEET 1	-	-



P/N:2170560-2 AS SHOWN
 RECEPTACLE WITH PICK-UP CAP



RECOMMENDED RECEPTACLE BOARD LAYOUT
 SCALE 5:1

THIS DRAWING IS A CONTROLLED DOCUMENT.		DWN TIM XUE 20 JUN 2013	 TE Connectivity
DIMENSIONS: mm		CHK ALEX CAI 20 JUN 2013	
TOLERANCES UNLESS OTHERWISE SPECIFIED:		APVD ALEX CAI 20 JUN 2013	
0 PLC ± 1 PLC ±0.20 2 PLC ±0.20 3 PLC ±0.20 4 PLC ±0.0001 ANGLES ±1° FINISH -		PRODUCT SPEC 108-51109 APPLICATION SPEC 114-60017 WEIGHT -	
MATERIAL -		CUSTOMER DRAWING	NAME 12G SAS/PCIe COMBO RECEPTACLE, STANDARD 15P+6P+7P+40P SIZE A2 CAGE CODE - DRAWING NO. C-2170560 RESTRICTED TO - SCALE 2:1 SHEET 2 OF 2 REV A