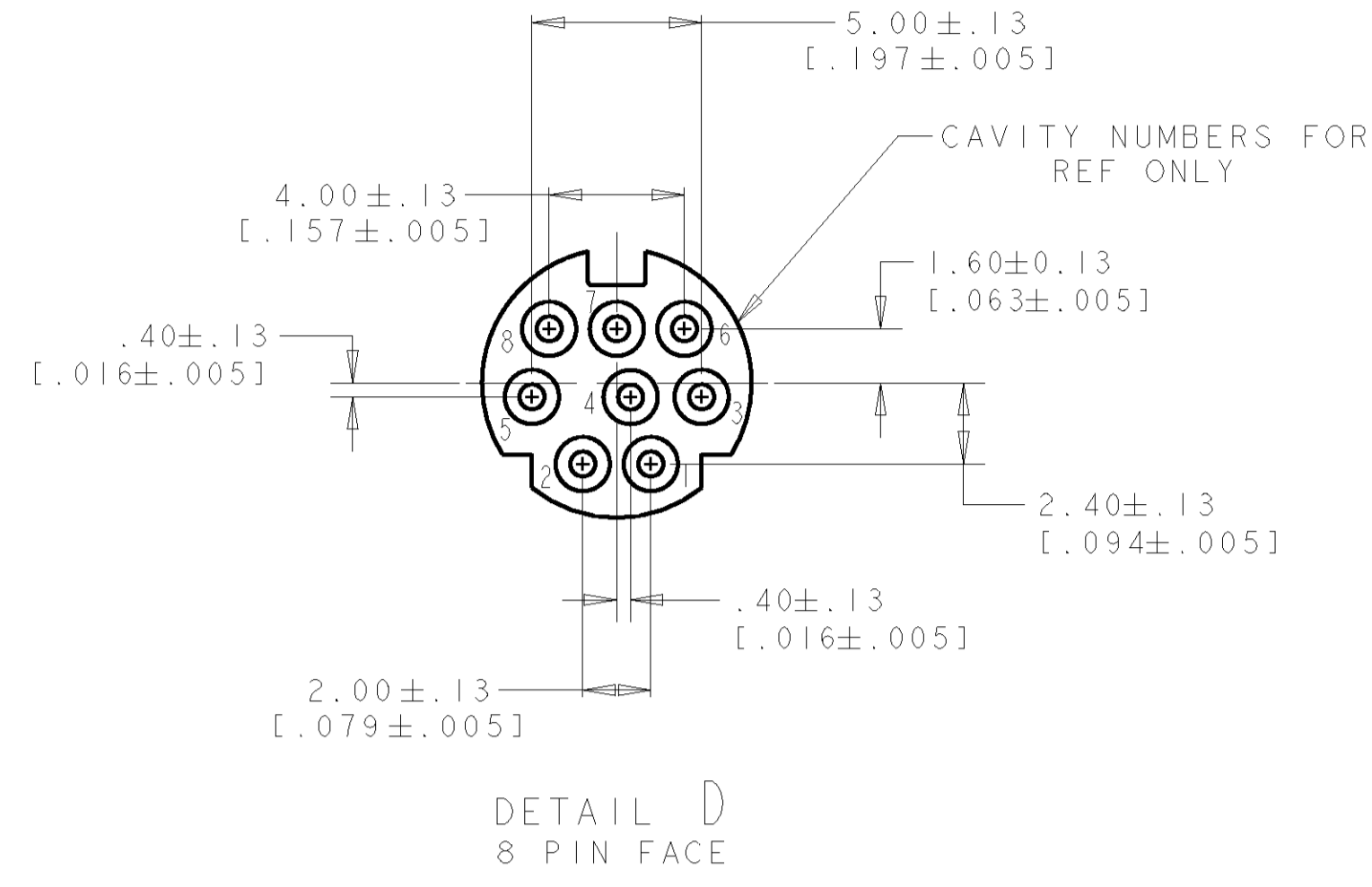
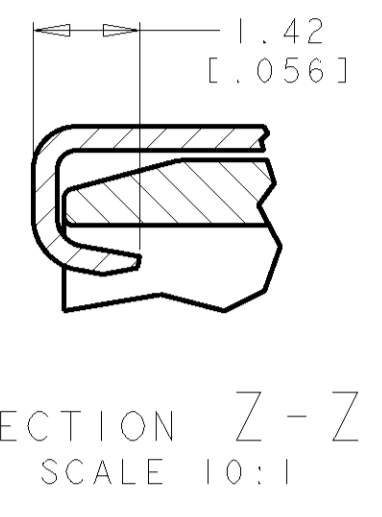
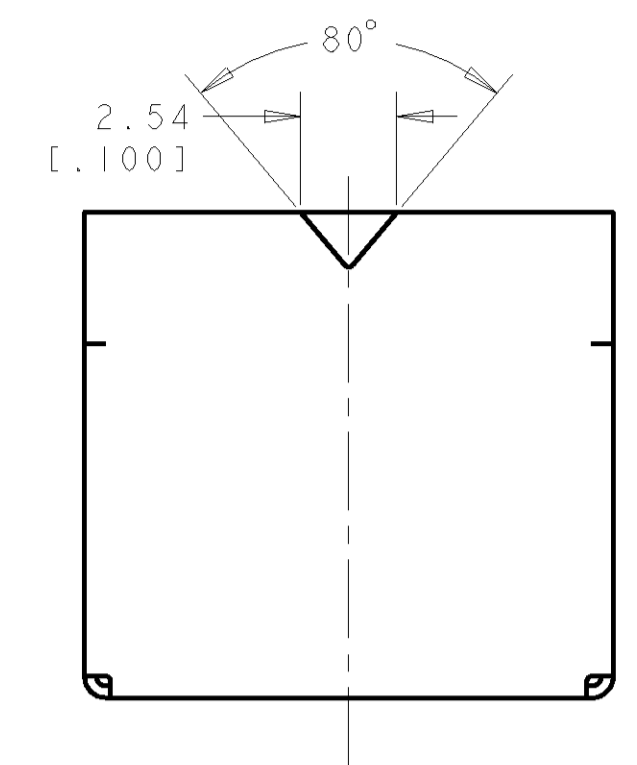
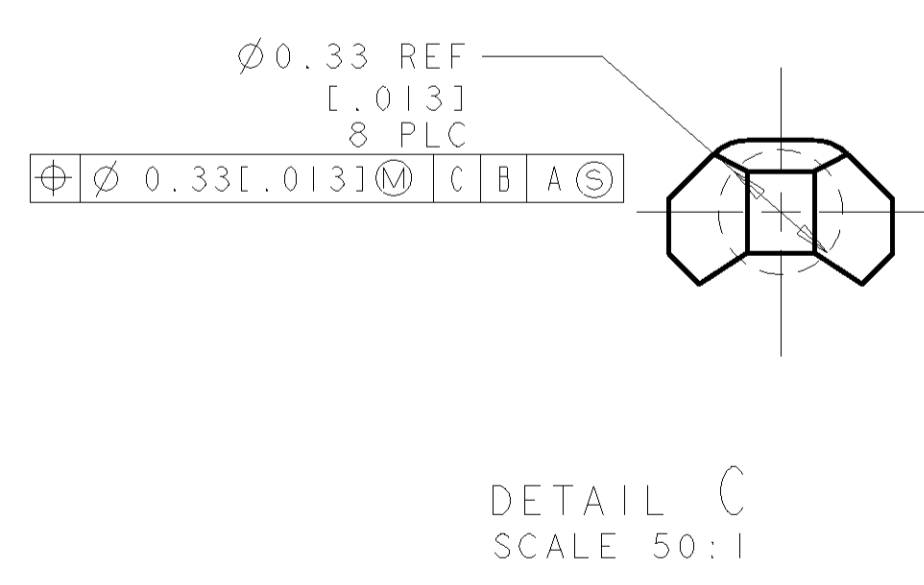
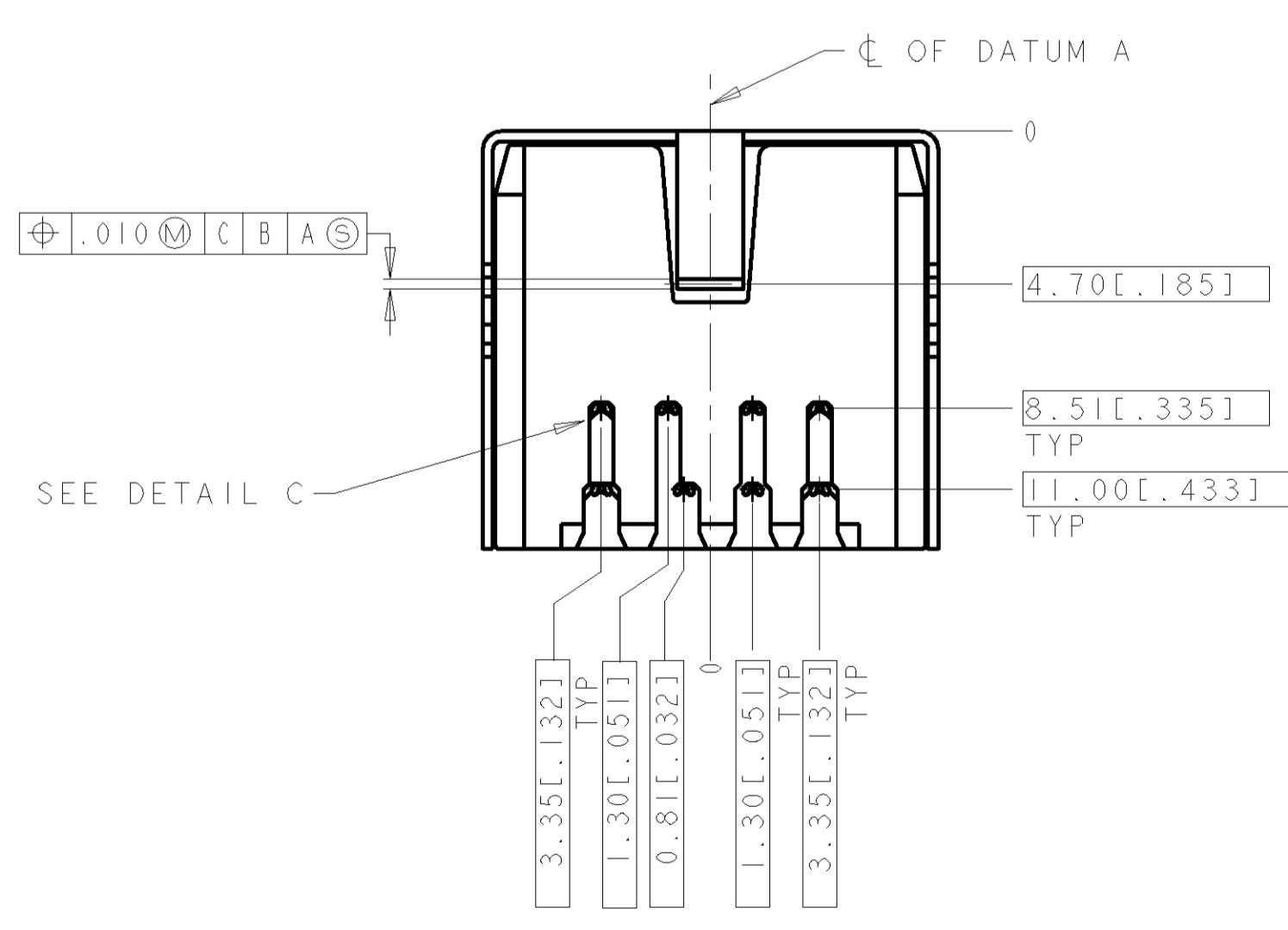
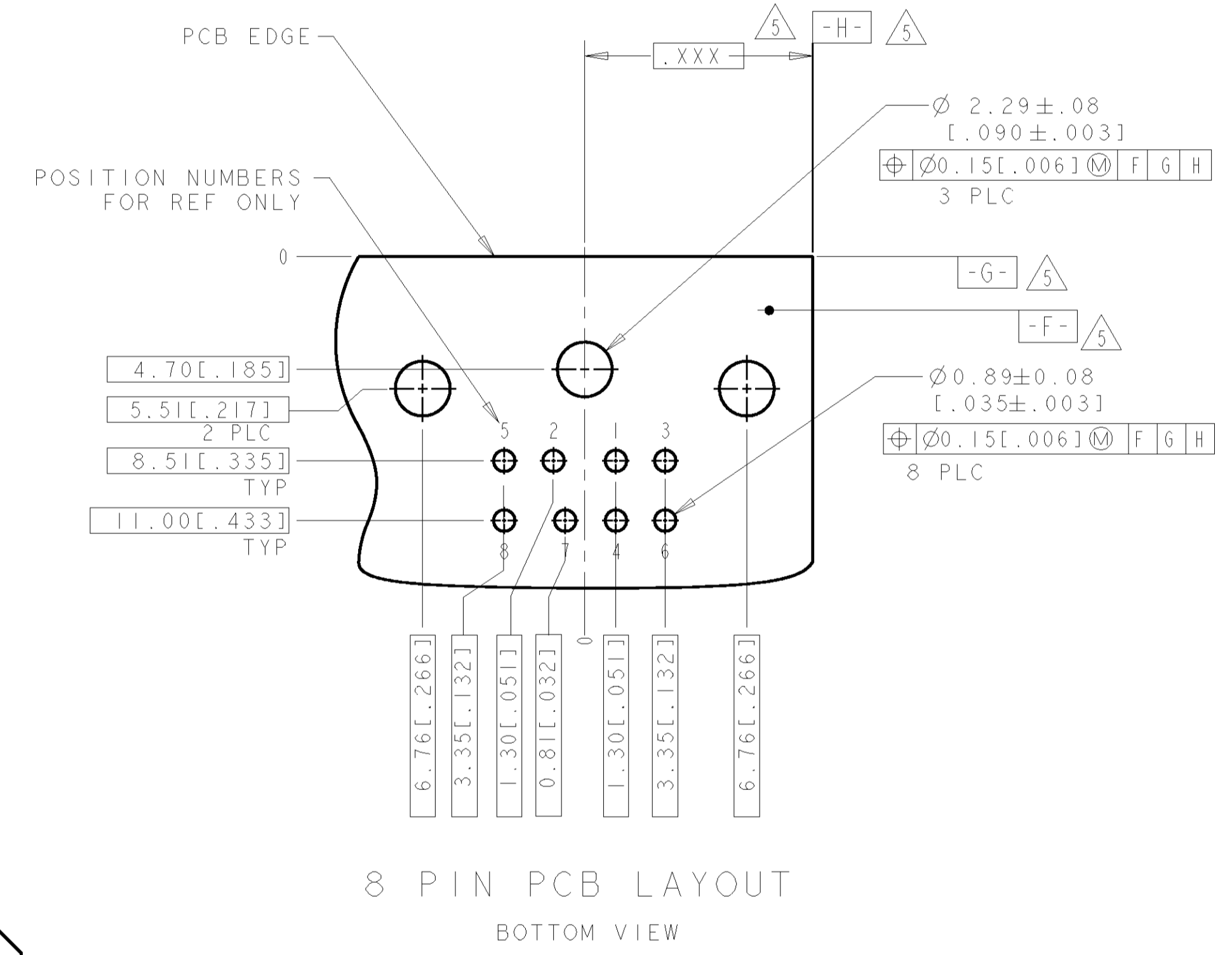
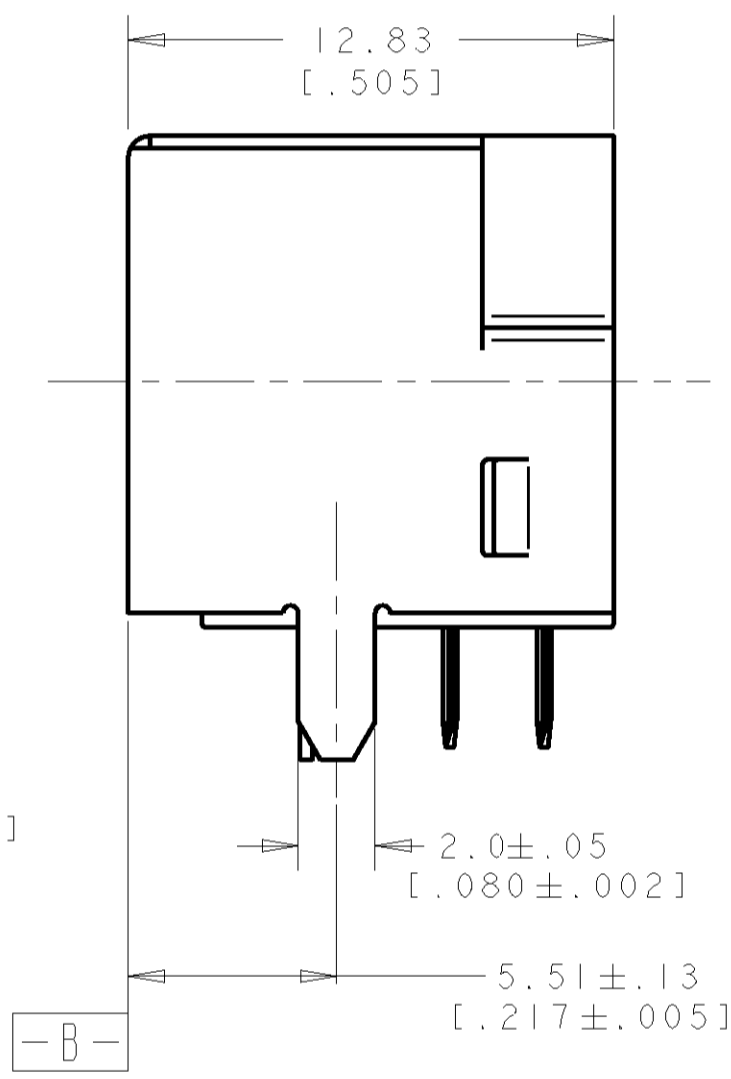
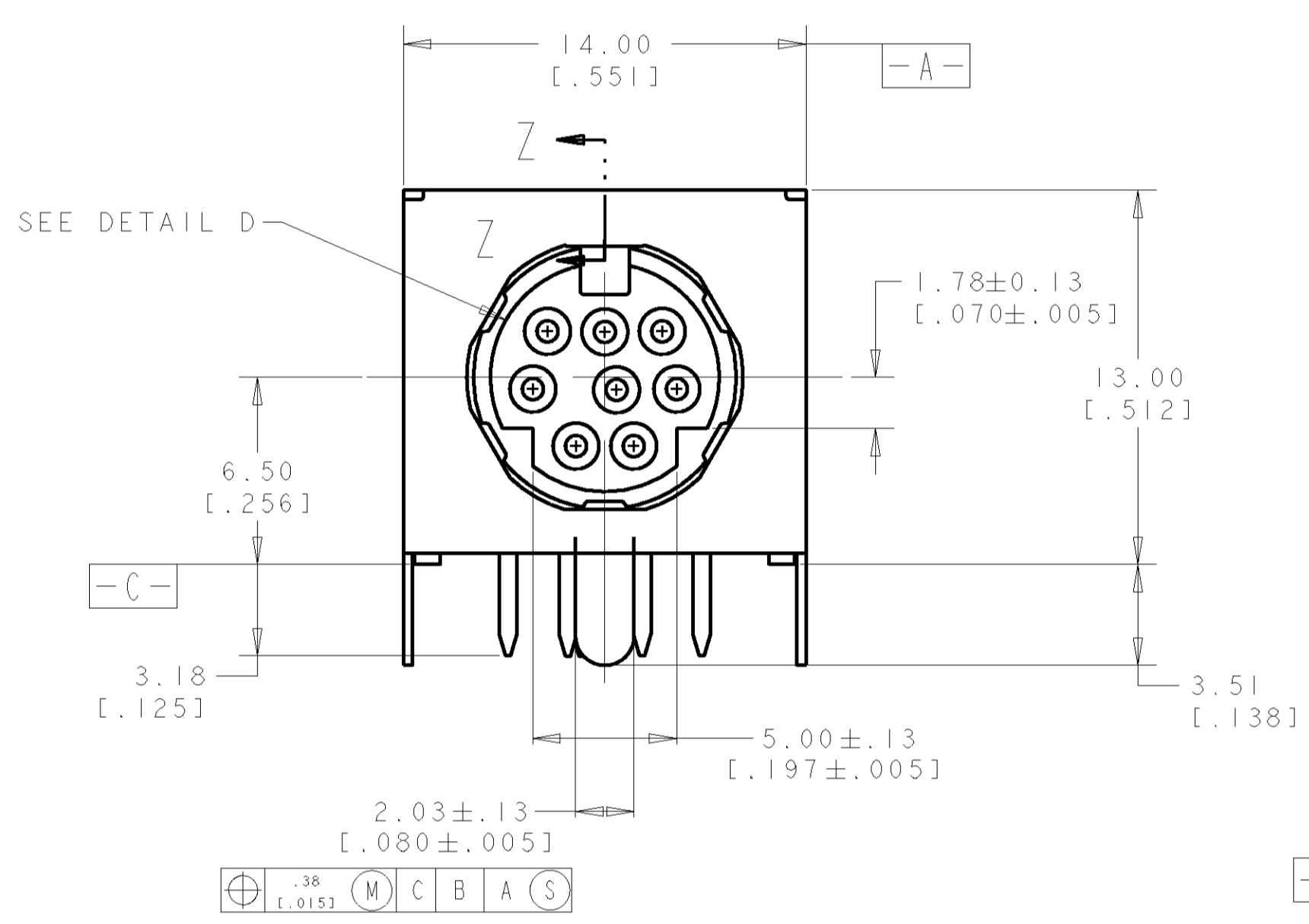


LOC	DIST	REVISIONS			
REV	DATE	DESCRIPTION	DATE	BY	APPD
0		NPR FPD0-0340-04	5JAN05	LWY	LSF



- △ RECEPTACLE CONTACTS: COPPER ALLOY.  
RECEPTACLE SHIELD: COPPER ALLOY.  
HOUSING: THERMOPLASTIC, BLACK, 94V-0 RATED.
- △ PLATING:  
RECEPTACLE CONTACTS - GOLD FLASH PLATED ON MATING END, MATTE-TIN PLATED .0030 MIN [0.000120 MIN] THICK ON SOLDER TAIL ALL OVER .0013 MIN [0.000050 MIN] THICK NICKEL.
- △ PLATING:  
SHIELD: PRE-TIN PLATED
- 4. RECEPTACLE ASSEMBLY MATES WITH 8 PIN 9.00±.10 [0.354±.004]
- △ DATUMS AND BASIC DIMENSION SUPPLIED BY CUSTOMER.



P/N: 5749268-1 AS SHOWN

<small>THIS DRAWING IS A CONTROLLED DOCUMENT FOR AMP INCORPORATED. ALL DIMENSIONS SHALL BE TO THE CONTROLLED DOCUMENT. ORGANIZATION SHOULD BE CONTACTED FOR THE LATEST REVISION.</small>		DWN: WYLEE CBY: SF LEONG APD: SF LEONG	05JAN2005 NAME: RECEPTACLE ASSY, 8 POS, RIGHT ANGLE, MINIATURE CIRCULAR DIN PRODUCT SPEC: 108-1225 APPLICATION SPEC: - WEIGHT: - CUSTOMER DRAWING	Tyco Electronics Singapore Pte. Ltd.
DIMENSIONS: mm [ INCHES ]	TOLERANCES UNLESS OTHERWISE SPECIFIED: 0 PLC ± 1 PLC ± 5 PLC ± 4 PLC ± ANGLES ±40° 30'	SIZE: A1 CAGE CODE: 00779 DRAWING NO: 5749268	SCALE: 5:1 SHEET: 1 OF 1 REV: 0	