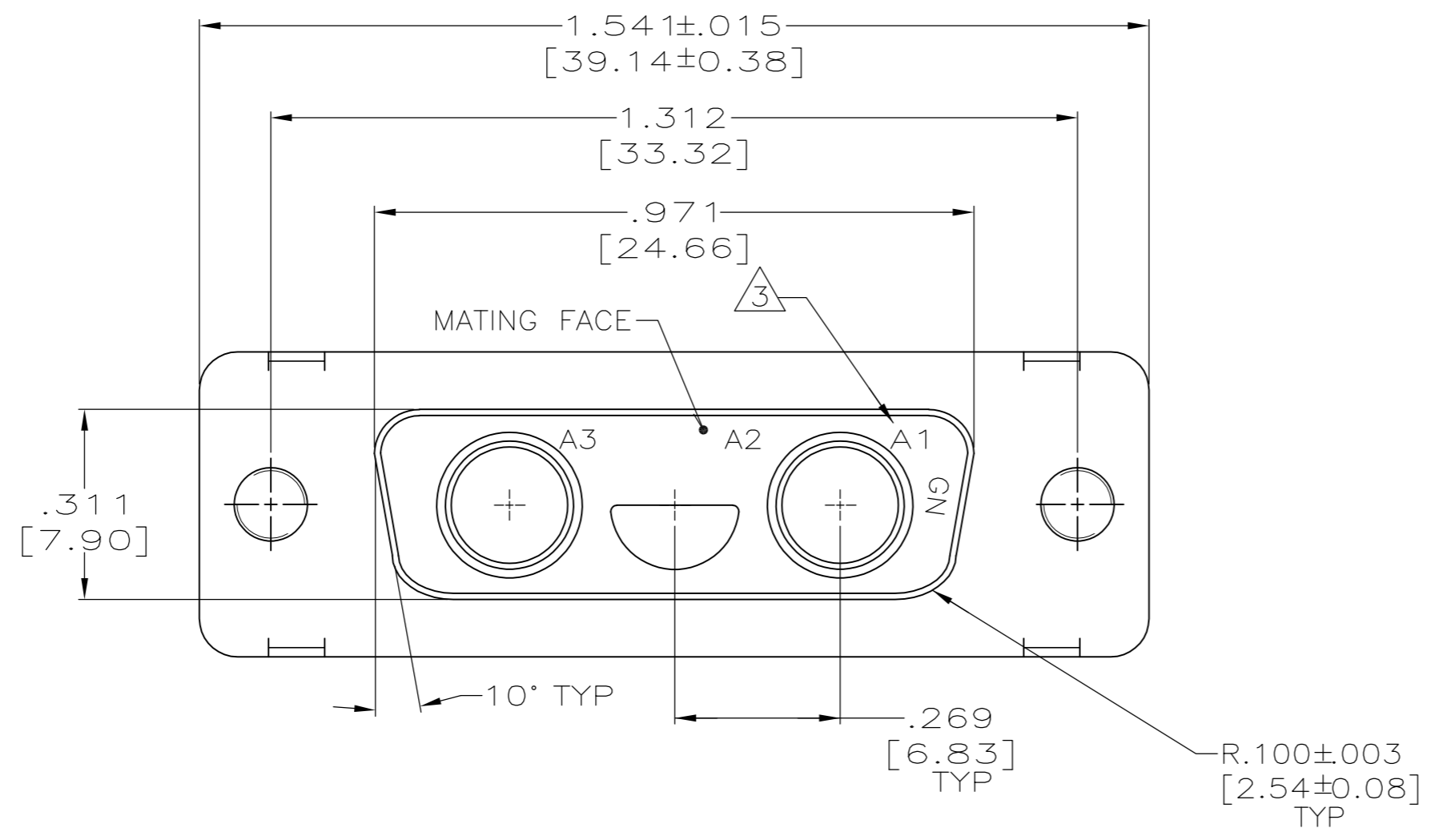
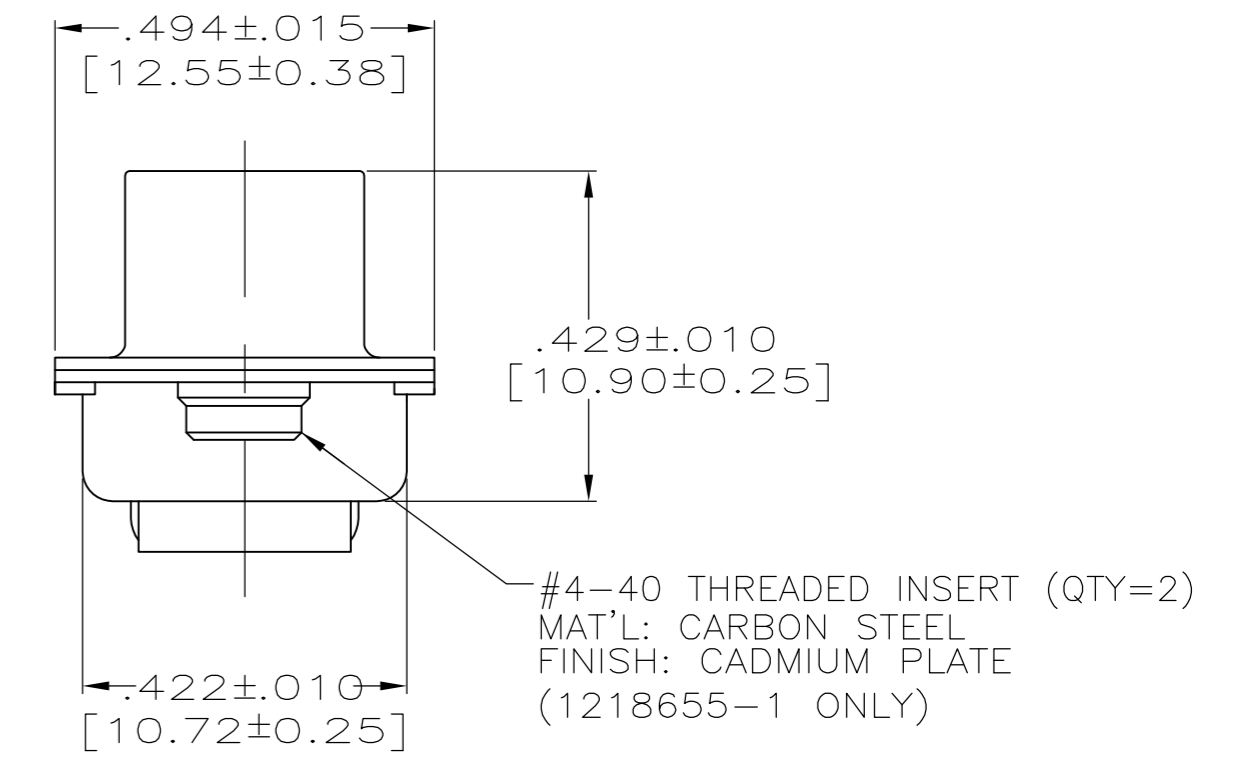
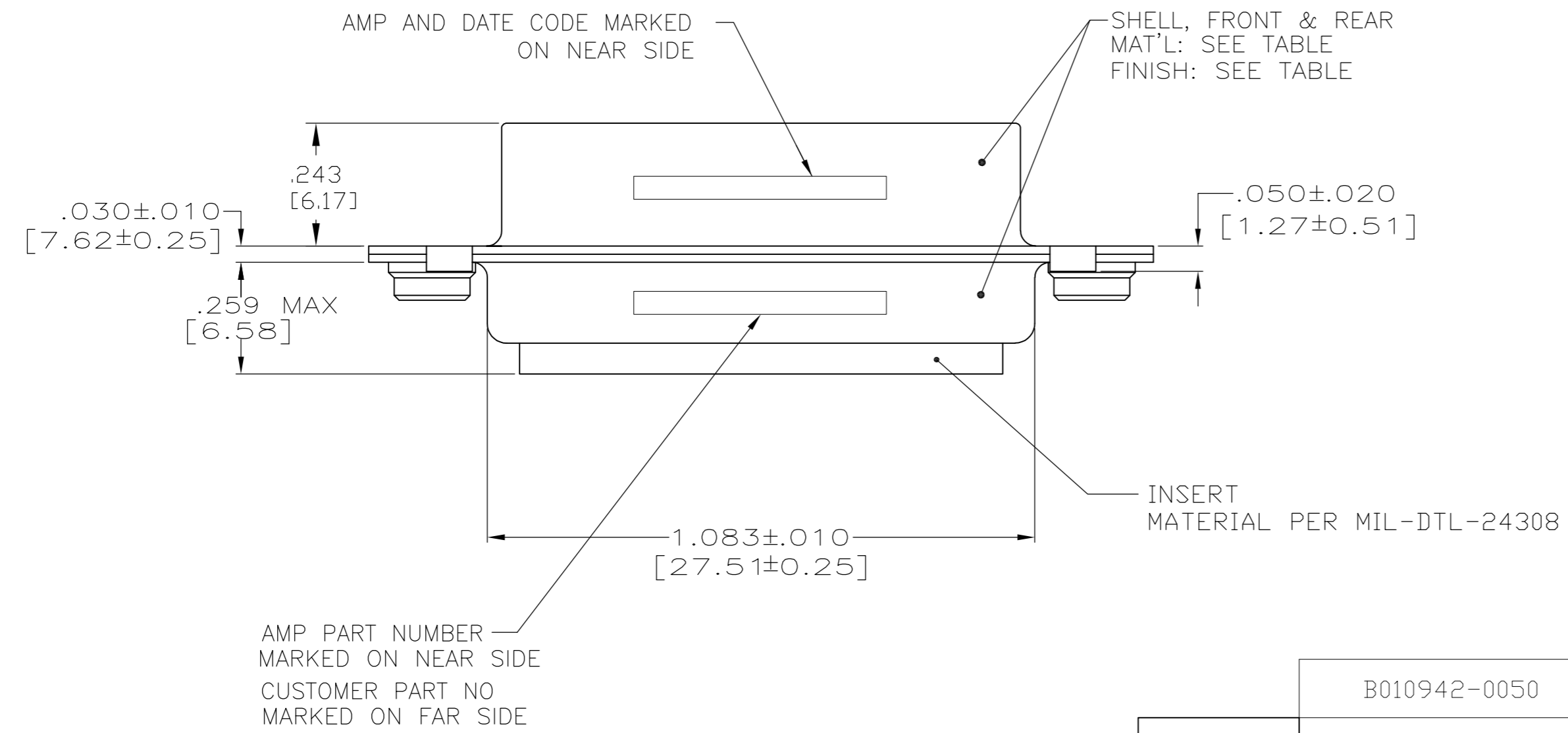


THIS DRAWING IS UNPUBLISHED. RELEASED FOR PUBLICATION  
 © COPYRIGHT - By - ALL RIGHTS RESERVED.

LOC		DIST		REVISIONS			
P	LTR	DESCRIPTION	DATE	DWN	APVD		
E		REV PER ECO 15-005929	5-12-15	CT	DM		



1. THIS RECEPTACLE WILL ONLY MATE WITH AMP PART NO. 1218654-2.
  2. THIS CONNECTOR ACCEPTS 2 POWER 8 OR COAX SOCKET CONTACTS IN POSITIONS A1 & A3. PURCHASED SEPARATELY.
- ⚠️ RAISED NUMBERS FOR IDENTIFICATION OF CIRCUIT HOLES.



B010942-0050	GOLD PER ASTM-B-488 OVER COPPER FLASH PER MIL-C-14550	BRASS PER ASTM B 36	1218655-3
OBSOLETE	TIN PER ASTM B545	STEEL PER ASTM A109	1218655-1
CUSTOMER PART NO.	FINISH	MATERIAL	PART NO.

THIS DRAWING IS A CONTROLLED DOCUMENT.		DWN C.C.THOMAS 2-3-00	<b>TE</b> TE Connectivity			
DIMENSIONS: INCHES		CHK D.MILLER 2-3-00				
TOLERANCES UNLESS OTHERWISE SPECIFIED:		APVD D.MILLER 2-3-00	RCPT. ASSEMBLY, COAX 2C2 KEYED SERIES 109, SIZE 2, AMPLIMITE			
0 PLC ± -		PRODUCT SPEC				
1 PLC ± -		APPLICATION SPEC	SIZE A2	CAGE CODE 00779	DRAWING NO. 1218655	RESTRICTED TO
2 PLC ± -		WEIGHT -	SCALE 4:1	SHEET 1 of 1	REV E	
3 PLC ± .005 [0.13]		RESTRICTED CUSTOMER				
4 PLC ± -						
ANGLES ± 0° 30'						
MATERIAL SEE CALLOUTS						
FINISH SEE CALLOUTS						