

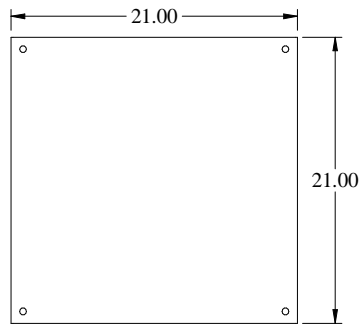
PART No. 1447SC8

for more information visit

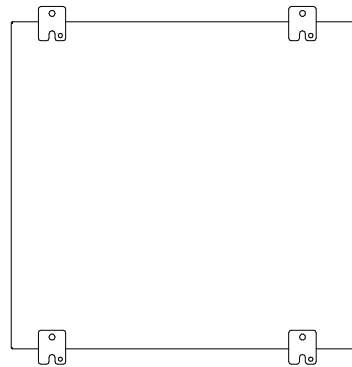
www.hammfg.com

Data subject to change without notice

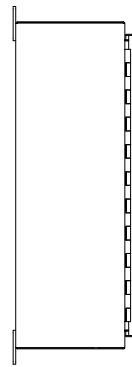
Isometric drawing Not to Scale



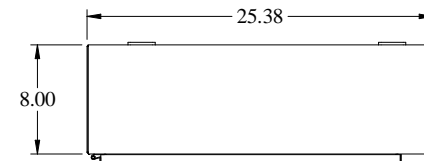
INNER PANEL



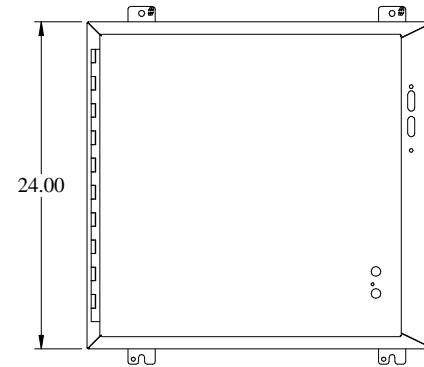
BACK VIEW



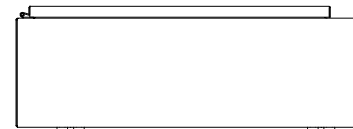
SIDE VIEW



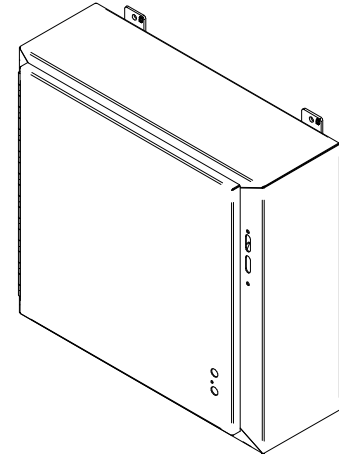
TOP VIEW



FRONT VIEW



BOTTOM VIEW



ISOMETRIC VIEW