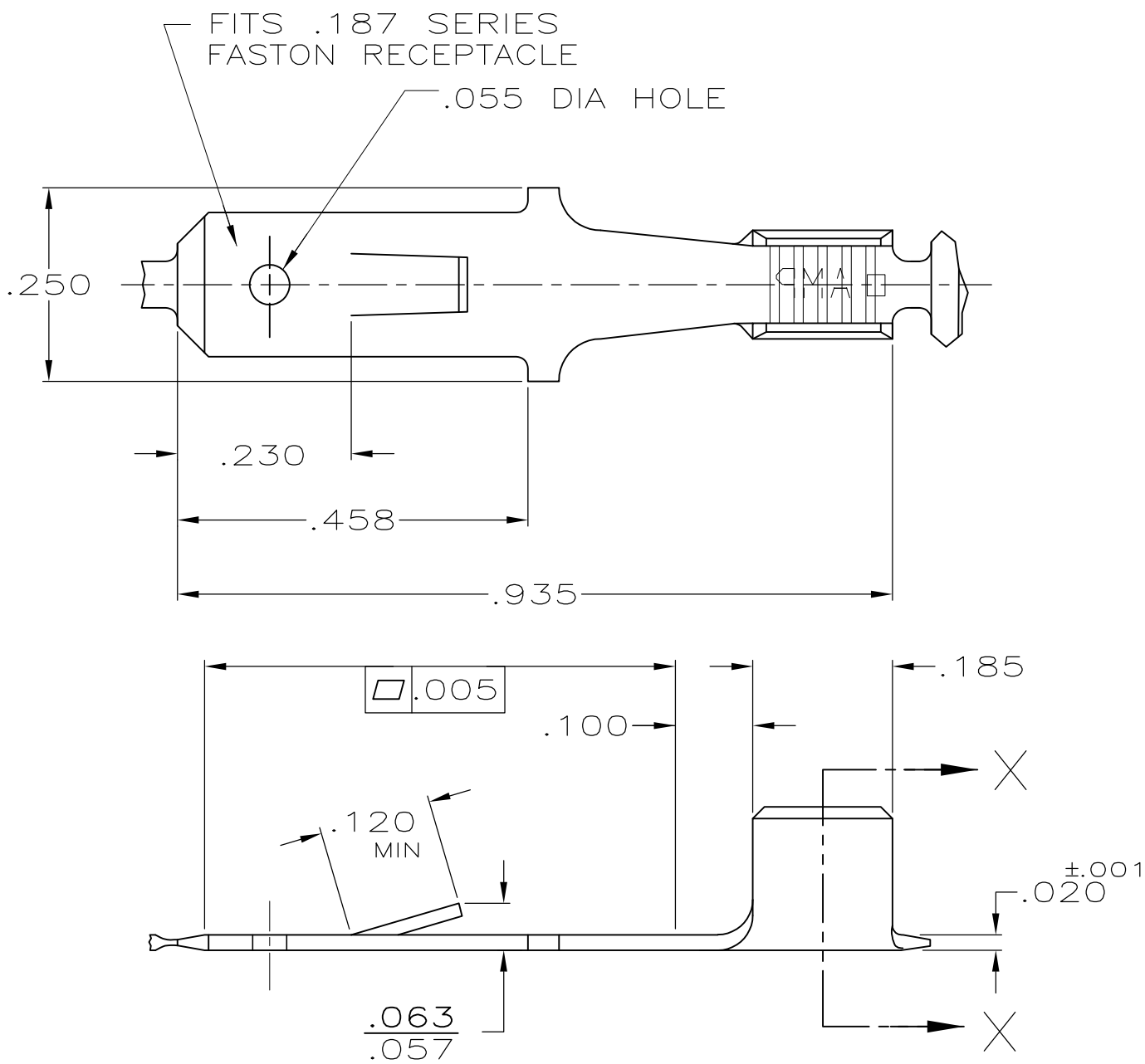
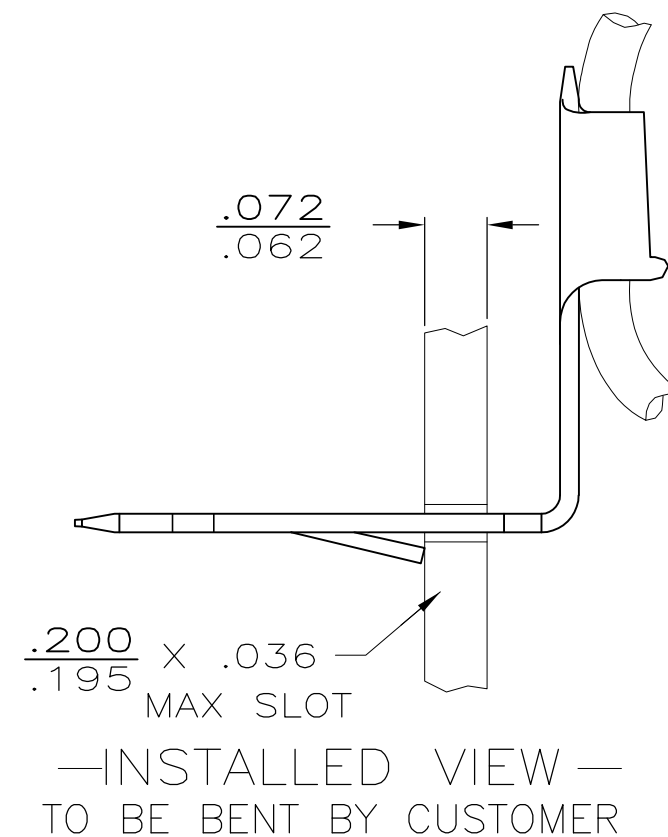
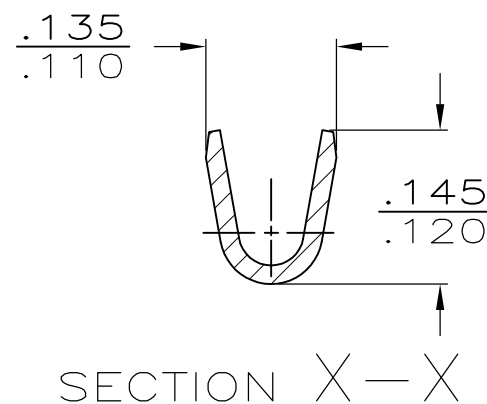


THIS DRAWING IS UNPUBLISHED. RELEASED FOR PUBLICATION ,19
 © COPYRIGHT 19 BY AMP INCORPORATED. ALL INTERNATIONAL RIGHTS RESERVED.

LOC		DIST		REVISIONS			
ZONE	LTR	DESCRIPTION	DATE	APPD			
AF	50	P	F	S	ADDED -4 PER OG3A-0053-99	26JUL99	JR/DB
				S1	REVISED PER ECO-09-020932	07SEP09	AEG



- 1 CONTINUOUS STRIP ON REEL.
- 2 REVERSE REEL OF 61441-2.
- 3 OBSOLETE PARTS: OBSOLETE CIS STREAMLINING PER D.RENAUD/D.SINISI



3 OBSOLETE	21-16 AWG	-	2 61441-4
		TIN	2 61441-3
SUPERSEDED	MAG WIRE SIZE	TIN	61441-2
		PRE-TIN	61441-1

DO NOT SCALE PRINT. UNLESS SPECIFIED DIMENSIONS ARE IN INCHES TOLERANCES ON: 2 PLC DEC ± - 3 PLC DEC ± .015 ANGLES ± -	DR 1/25/91 JR RUTH	AMP Incorporated Harrisburg, PA 17105-3608	NAME	
	CHK 1/28/91 MS FEHER		TAB, FASTON,™ AMPLIVAR,™	
	APPD 1/28/91 C MEYERS		.187 SERIES	
	APPD 1/28/91 D REINER		SIZE	CAGE CODE
MATERIAL	PRODUCT SPEC	B	00779	61441
#2H BRASS	-	SCALE	5:1	SHEET
FINISH	APPLICATION SPEC			1 OF 1
SEE TABLE	WEIGHT -			