

MATERIALS AND FINISHES

BODY ZINC ALLOY
PLATED NICKEL 70 MICROINCHES MIN

CENTER CONTACT PHOSPHOR BRONZE
PLATED GOLD 8 MICROINCHES MIN

INSULATOR POLYPROPYLENE

HOUSING VALOX 420-SEO BLACK

SOLDER TAIL COPPER OVER STEEL WIRE
PLATED TIN 200 MICROINCHES MIN

BOARD LOCK CLIP PHOSPHOR BRONZE
PLATED TIN 150 MICROINCHES MIN

FRONT CLIP PHOSPHOR BRONZE
PLATED NICKEL 70 MICROINCHES MIN

CHIP CAPACITOR MULTILAYER CERAMIC

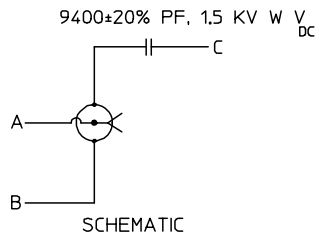
NUT BRASS
PLATED NICKEL 70 MICROINCHES MIN

WASHER PHOSPHOR BRONZE
PLATED NICKEL 70 MICROINCHES MIN

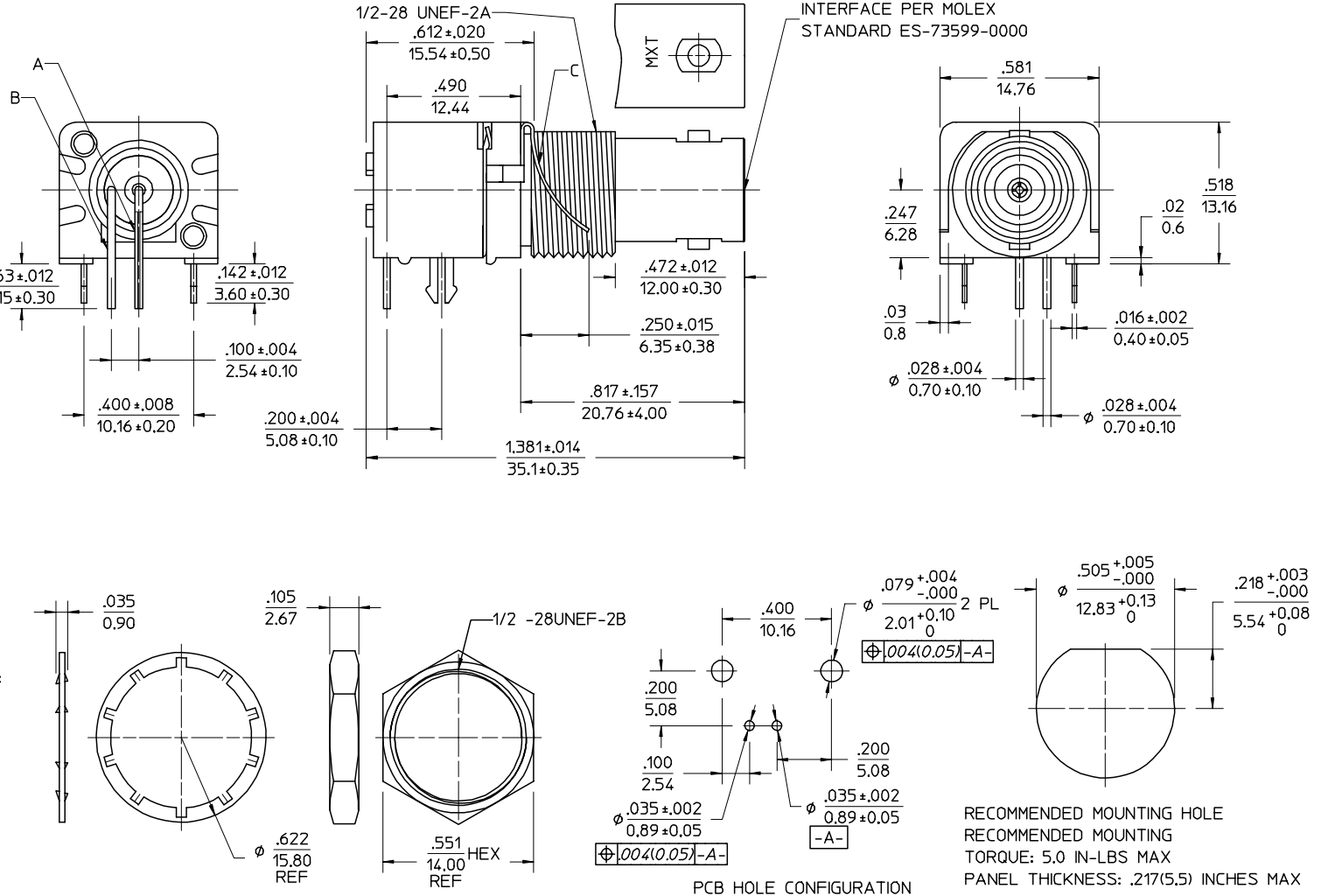
MECHANICAL & ELECTRICAL CHARACTERISTICS:
PER PS-73598-0010

PACKAGING:
TRAY PACKAGING

PART # 73100-0162



SCHEMATIC



CHG: DIM 0.7±0.1 WAS ±0.05	DESCRIPTION
EC NO: URF2005-0059	2004/10/04
DRWN: CLLI	2004/10/04
CHKD:	2004/10/04
APPR: MIUANG	2004/10/06
REV	

QUALITY SYMBOLS	DESCRIPTION
▽=0	
▽=0	

GENERAL TOLERANCES (UNLESS SPECIFIED)	
	mm
	INCH
4 PLACES	± .005
3 PLACES	± .005
2 PLACES	± 0.25
1 PLACE	± 0.25
ANGULAR ± 3°	
DRAFT WHERE APPLICABLE MUST REMAIN WITHIN DIMENSIONS	

DIMENSION STYLE	
IN/MM	
DRAWN BY	DATE
ROGER	1994/10/13
CHECKED BY	DATE
WANG	1994/10/18
APPROVED BY	DATE
MIESN	1994/10/23
MATERIAL NO.	
73100-0162	

SCALE	DESIGN UNITS	THIRD ANGLE PROJECTION
---	METRIC	
TITLE		
50 OHM FILTER BNC R/A PCB RECEPTACLE BNC-PCB/RA/BK		
MOLEX INCORPORATED		
DOCUMENT NO.	SHEET NO.	
SD-73100-0162	1 OF 1	
THIS DRAWING CONTAINS INFORMATION THAT IS PROPRIETARY TO MOLEX INCORPORATED AND SHOULD NOT BE USED WITHOUT WRITTEN PERMISSION		