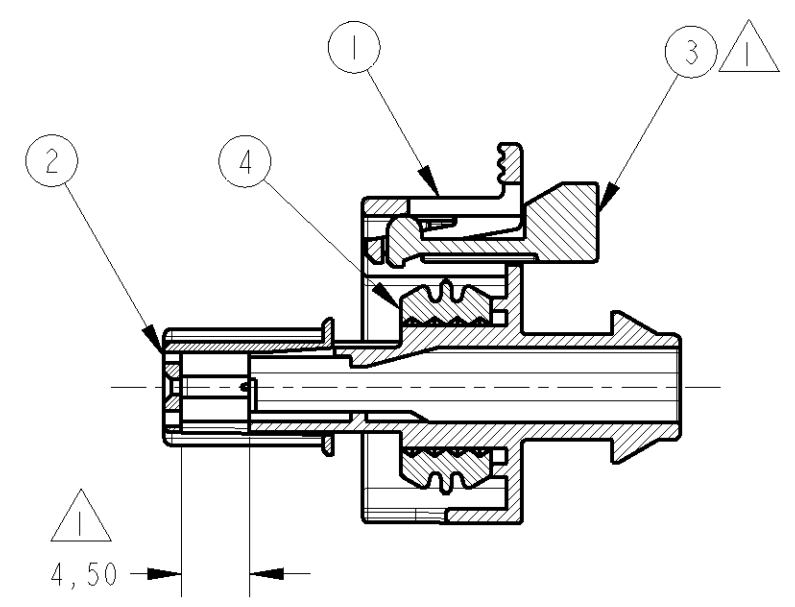
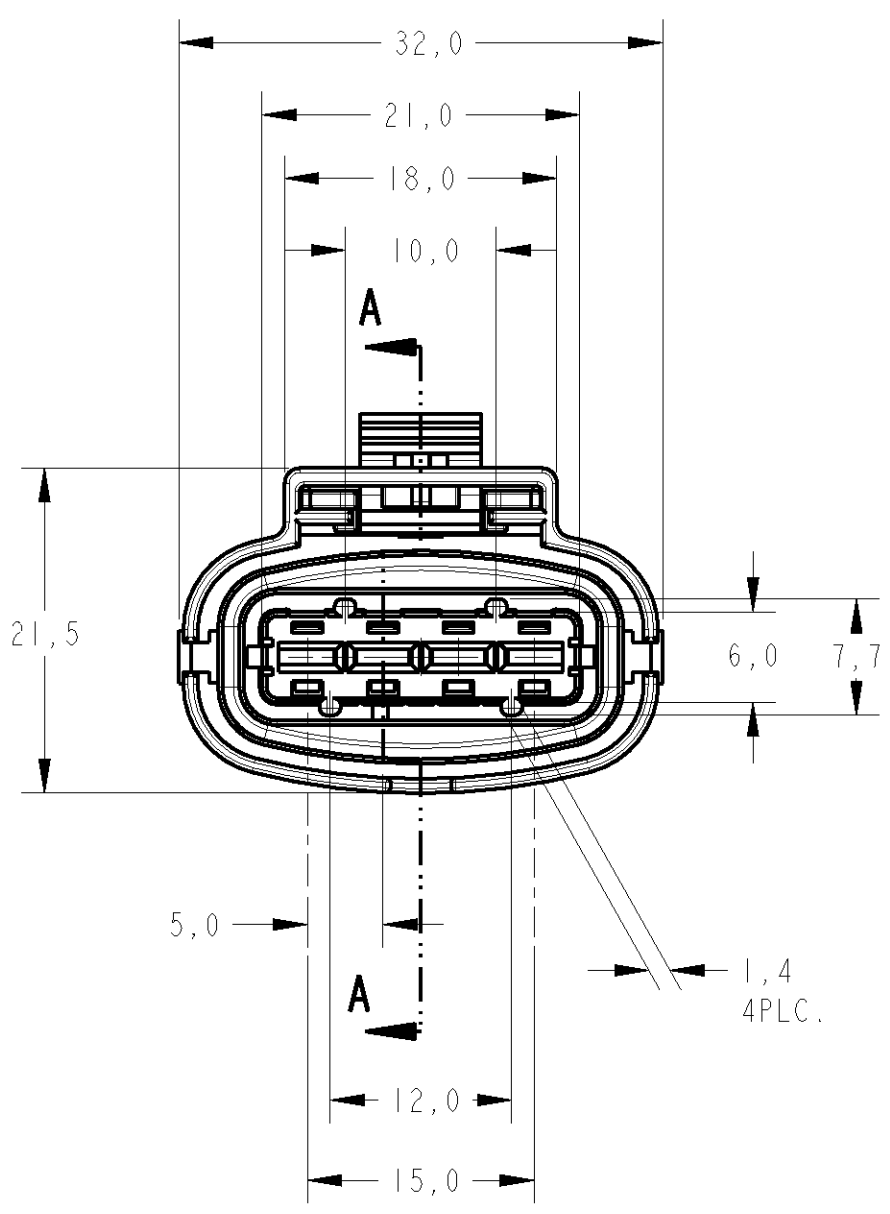


THIS DRAWING IS UNPUBLISHED. RELEASED FOR PUBLICATION 20  
 © COPYRIGHT 20 BY TYCO ELECTRONICS CORPORATION. ALL RIGHTS RESERVED.

LOC	DIST	REVISIONS				
P	LTR	DESCRIPTION	DATE	DWN	APVD	
AP	-					
	D	UPDATE ACCORDING TO	EC-191/04	05APR2004	MRB PLF	
	E	REVISED BY ECO-07-011909		22MAY2007	NCL MR	
	-	-	-	-	-	
	-	-	-	-	-	

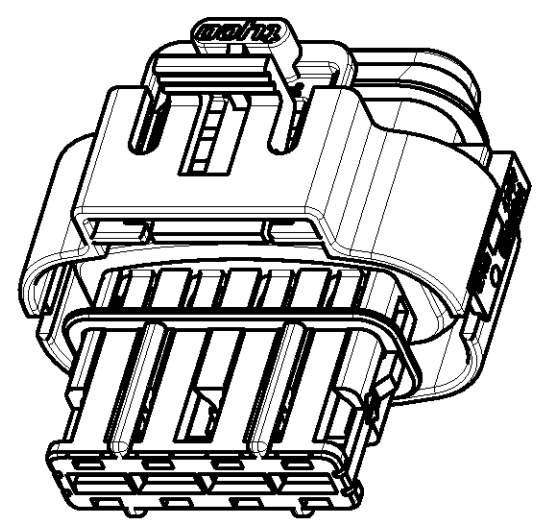
**CAD**  
**DO NOT REVISE**  
**EXCEPT BY CAD**



SECTION A-A

- 1 - POSIÇÃO DE PRÉ TRAVAMENTO DA TRAVA SECUNDÁRIA, FORNECIDO CONFORME MOSTRADO. / PRE LOCK POSITION OF SECONDARY LOCK, SUPPLIED AS SHOWN.
- 2 - TERMINAIS E SELOS: VIDE DESENHO GRUPO DE PRODUTO - C 1355038. / TERMINALS AND SEALS: SEE PRODUCT GROUP DRAWING - C 1355038.

GRAVAÇÃO MARKING	
LOGOTIPO TYCO	TYCO LOGO
CÓDIGO PAÍS PRODUTOR	MANUFACTURER COUNTRY CODE
NOMENCLATURA MATERIAL	MATERIAL NOMENCLATURE
NÚMERO COMPONENTE TYCO	TYCO COMPONENT NUMBER
NÚMERO CAVIDADE	CAVITY NUMBER
IDENTIFICAÇÃO CIRCUITO	CIRCUIT IDENTIFICATION
PAÍS PRODUTOR	MANUFACTURER COUNTRY
REVISÃO DA PEÇA	PART REVISION



PERSPECTIVE VIEW  
 SCALE 2:1

REQ. PER ASSY	ITEM	DESCRIPTION	MATERIAL	FINISH
	4	SEAL, 4 POSN., RCPT	SILICONE	LARANJA / ORANGE
	3	CONECTOR POSITION ASSURACE	PA 6.6 +30%FV.	AMARELO / YELLOW
	2	SPACER, 4 POSN., RCPT.	PA 6.6 +15%FV.	AMARELO / YELLOW
	1	HOUSING, 4 POSN., RCPT.	PA 6.6 +30%FV.	PRETO / BLACK

<small>THIS DRAWING IS A CONTROLLED DOCUMENT FOR TYCO ELECTRONICS CORPORATION. IT IS SUBJECT TO CHANGE AND THE CONTROLLING ENGINEERING ORGANIZATION SHOULD BE CONTACTED FOR THE LATEST REVISION.</small>		DWN M.R. BRIZ 20AUG2002 CHK P.L. FARIA 20AUG2002 APVD I.W. PRADO 20AUG2002	TYCO ELECTRONICS do Brasil LTDA. São Paulo, Brasil
DIMENSIONS: mm 	TOLERANCES UNLESS OTHERWISE SPECIFIED: 0 PLC ±- 1 PLC ±0,3 2 PLC ±- 3 PLC ±- 4 PLC ±- ANGLES ±°	NAME: HOUSING ASSY., 4 POSITION SENSOR FLAT, RECEPTACLE PRODUCT SPEC: - APPLICATION SPEC: - WEIGHT: -	SIZE: A3 CAGE CODE: 00779 DRAWING NO: C-1480968 RESTRICTED TO: -
MATERIAL: -/-	FINISH: -/-	CUSTOMER DRAWING	SCALE: 2:1 SHEET 1 OF 1 REV E