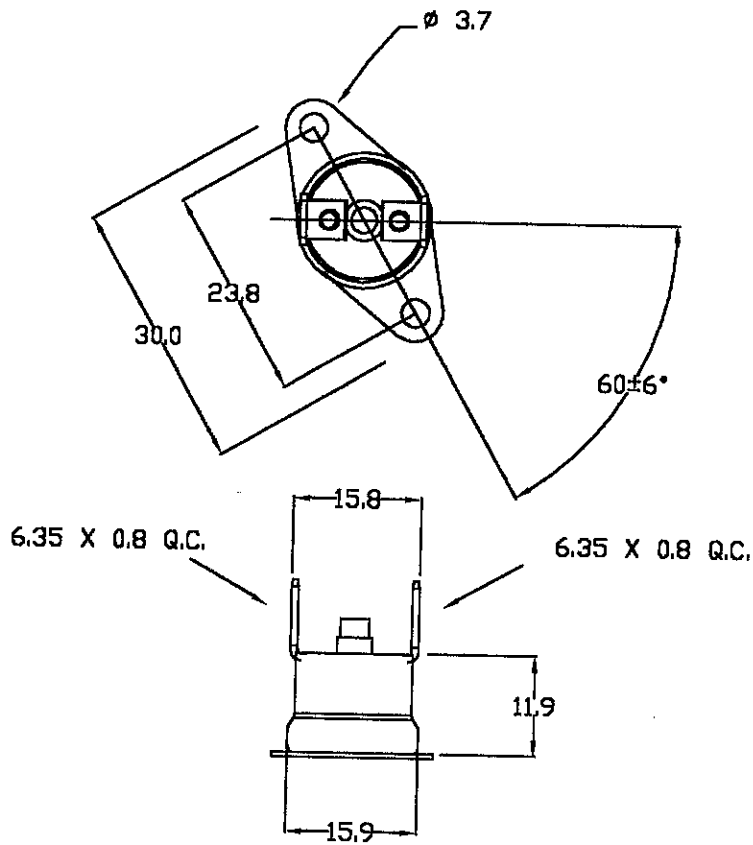


ALL DIMENSIONS ARE FOR REFERENCE ONLY

DO NOT SCALE DRAWING

ALL DIMENSIONS IN mm UNLESS STATED.



OPERATING CRITERIA	
VOLTS;	250VAC
AMPS;	13A
OPERATING CRITERIA	
OPEN;	120±5°C
CLOSE;	MR

SPECIAL ARRANGEMENTS
BLUE SPOT
NOTE:- CODING TO SUIT MANUFACTURING SITE

ISSUE MOD No. MTH/YR	A 3641 01/01			
ELMWOOD DEVICE & UNIQUE PART NUMBER	2455RM-9082-471(UK) 2455RM-7082-471(CHINA)		DATE OF ISSUE STAMP	15/01/2001
Elmwood Sensors	ELMWOOD DRG No.	965185	ISSUE	A

DRAWN BY,
G.D.

CODING REQUIREMENTS	CAP;	MAT'L;
COLOUR; WHITE	BRK'T; B201A	MAT'L; ST/STEEL
L120C		PLATING;
9082-471-UXX	TERMINAL;	T147
7082-471-ZXX	MATERIAL;	BRASS
(XXX = DATE CODING)	PLATING;	NICKEL