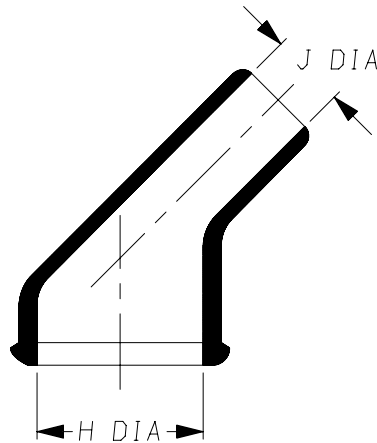
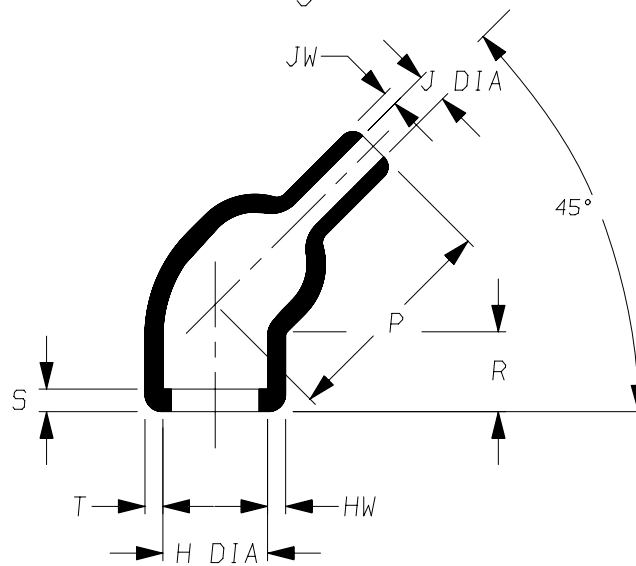


a) Part as supplied

243D0\*\*-12



b) Part after unrestricted recovery.



DIMENSIONS (in millimetres)

Part No.	H		J		P	R	S	T	HW	JW
	min	max	min	max	±10%	±10%	±10%	±10%	±20%	±20%
	a	b	a	b	b	b	b	b	b	b
243D012-12	19 (0.75)	14.2 (0.56)	8.0 (0.31)	4.1 (0.16)	24 (0.94)	10 (0.39)	3.0 (0.12)	1.1 (0.04)	2.3 (0.09)	1.8 (0.07)
243D022-12	24 (0.94)	17.8 (0.70)	12 (0.47)	5.6 (0.22)	27 (1.06)	10 (0.39)	3.0 (0.12)	1.1 (0.04)	2.8 (0.11)	1.9 (0.07)

Copyright (!)

The copyright in this drawing is the property of Tyco Electronics UK Ltd. The drawing is issued on the condition that it is not copied, reproduced or disclosed to a third party, either in whole or in part without the prior written consent of Tyco Electronics UK Ltd.

Drawn A.LILLEY. Checked

Issue 1

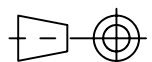
Date June 2006

Conforms to ISO Recommendations  
3rd Angle Projection  
Not to Scale

Approval  
Design

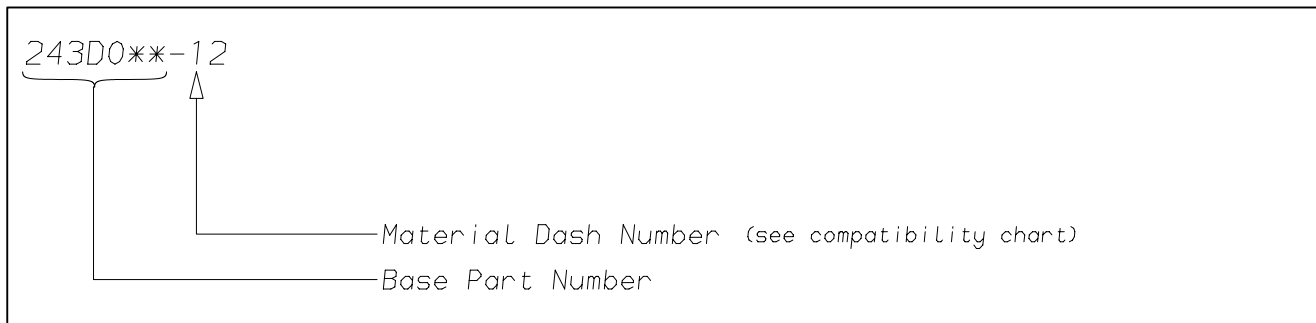
MKTG.

Q.A.



<b>Raychem</b>		<b>Specification Control Drawing</b>	Part Number <b>243D0**-12</b>	Issue 1
Iss.	Date	E.C.R. No.	Details of Change	

(Ordering Information)



(COMPATIBILITY CHART)

Material Dash Number	Material Description	SPEC Number	Coating Slash Number
-12	FLUOROELASTOMER, FLEXIBLE	RT-1312, RK-6712	

Tyco electronics UK Ltd. Faraday Road, Swindon, Wiltshire, SN3 5HH England Telephone: (01793) 528171 Fax: 572516	Tyco electronics Corporation 300, Constitution Drive, Menlo Park, CA 94025 USA Telephone (650) 361-3860 Fax: (650) 361-5579
Cage Code K1010	Cage Code 06090