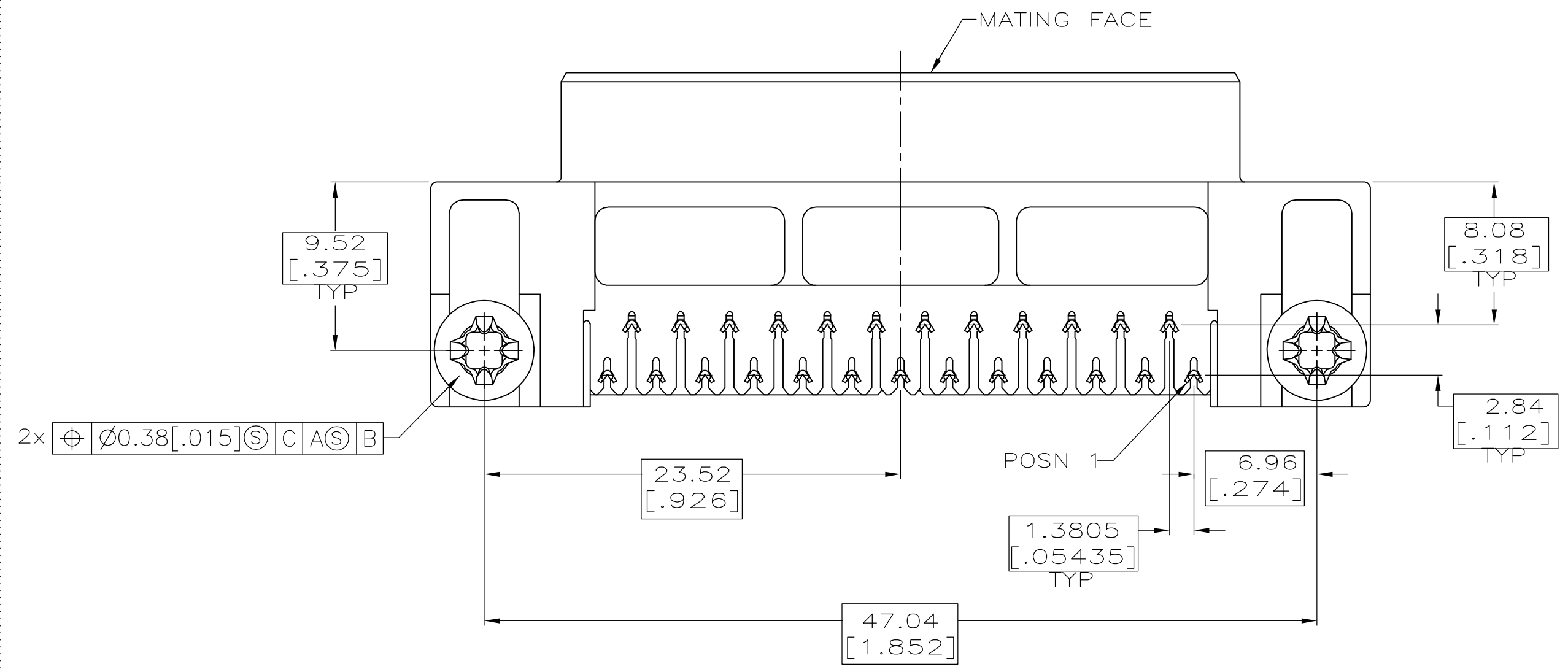


PC BOARD MOUNTING DIMENSIONS
 (.062 PC BOARD THICKNESS)

- 1 POSITION TOLERANCE APPLIES AT TIP ONLY.
- 2 HOUSING: FLAME RETARDENT 94V-0 RATED, GLASS FILLED NYLON OR POLYESTER, COLOR: BLACK.
 CONTACTS: PHOSPHOR BRONZE
 EYELETS: BRASS
 INSERTS: ZINC
 BOARDLOCKS: COPPER ALLOY
- 3 EYELETS: 2.54 μm [0.000100] MIN TIN OVER COPPER FLASH.
 BOARDLOCKS: 3.81 μm [0.00015] MIN TIN OVER 1.27 μm [0.000050] MIN NICKEL.
 CONTACTS: 0.76 μm [0.000030] MIN GOLD FOR A LENGTH OF 1.53 [0.060] MIN FROM MATING END, 2.54 μm [0.0001] MIN TIN FOR A LENGTH OF 3.68 [0.145] MIN FROM OPPOSITE END, BOTH OVER 1.27 μm [0.000050] MIN NICKEL.
 INSERTS: CLEAR CHROMATE COATING.



5748901-1
 PART NO

**COPYRIGHT 2005
 TYCO ELECTRONICS CORP
 ALL RIGHTS RESERVED**

THIS DRAWING IS A CONTROLLED DOCUMENT.		DWN G. PETERS	20SEP05	Tyco Electronics Corporation Harrisburg, PA 17105-3608
DIMENSIONS: mm [INCHES]		CHK S. BOLASH	20SEP05	
TOLERANCES UNLESS OTHERWISE SPECIFIED:		APVD M. WALMSLEY	20SEP05	NAME RECEPTACLE ASSEMBLY, SIZE 3, 25 POSN, ALL PLASTIC, RIGHT ANGLE .318 SERIES, AMPLIMITE III
0 PLC ± .005		PRODUCT SPEC	108-1226	
1 PLC ± .01		APPLICATION SPEC	114-40027	SIZE CAGE CODE DRAWING NO A1 00779 C=5748901
2 PLC ± .013 [0.005]		WEIGHT	-	
3 PLC ± .015		CUSTOMER DRAWING		RESTRICTED TO
4 PLC ± .02		SCALE 4:1		SHEET 1 OF 1
ANGLES ± Z		REV 0		