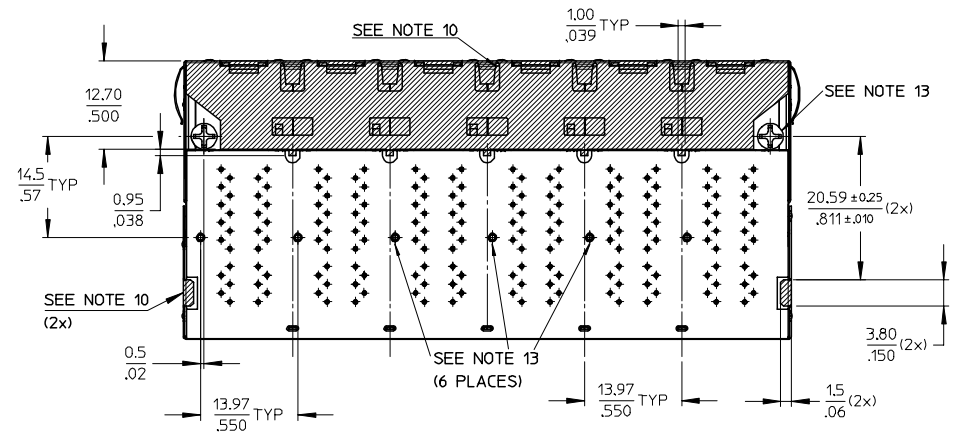
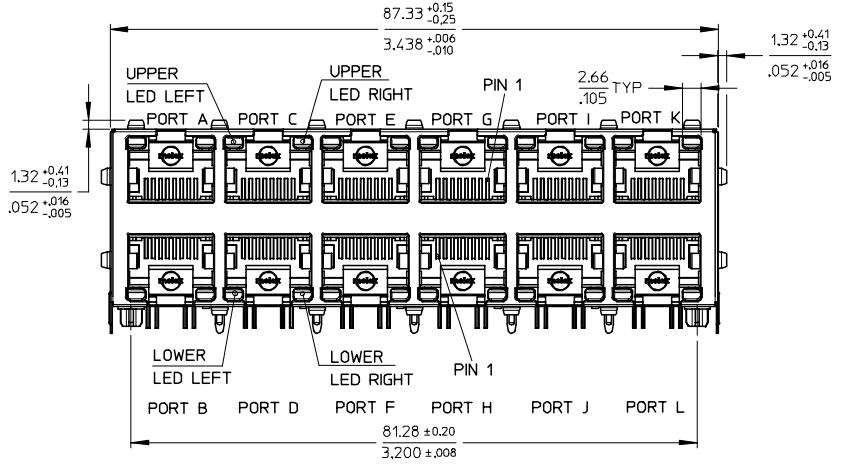
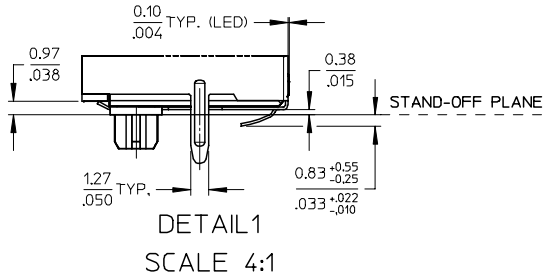
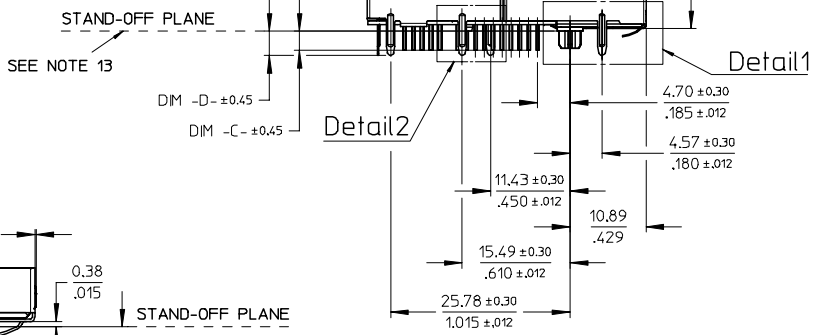
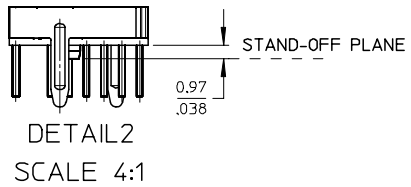


13 12 11 10 9 8 7 6 5 4 3 2 1



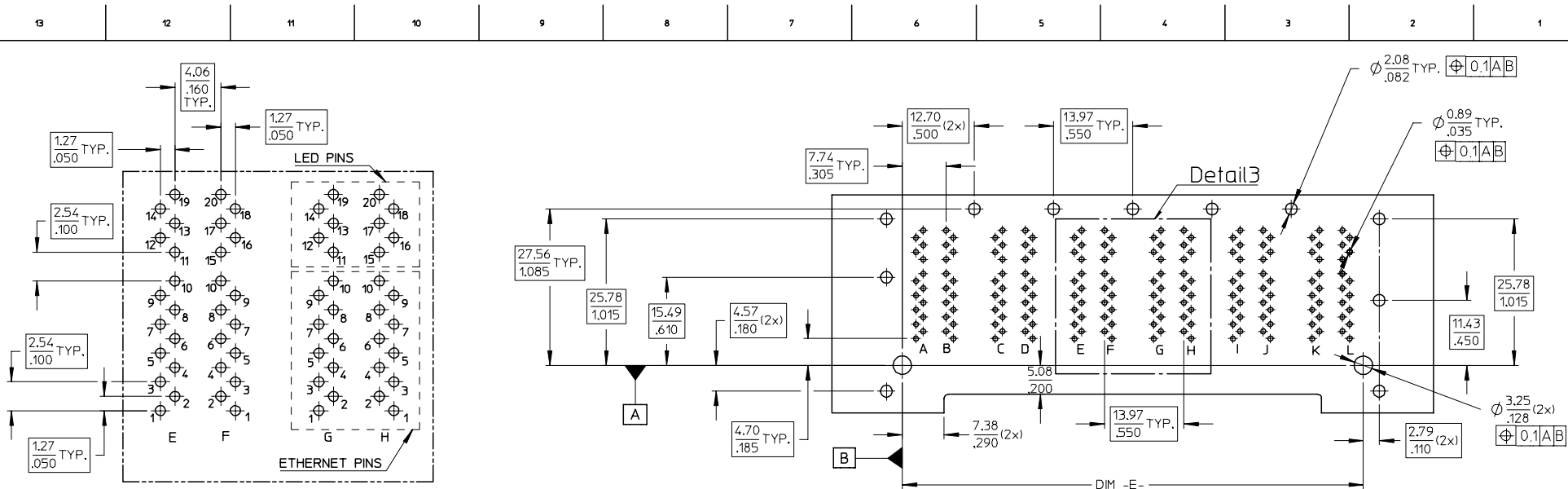
MATERIAL NUMBER	NUMBERS OF PORTS	DIM -C-	DIM -D-	SEE NOTE
85780-1005	6/6	4.0/0.157	3.8/0.150	11

PATENTS PENDING

- NOTES:
- 1- SHIELD MATERIAL: BRASS, PLATING: NICKEL
  - 2- HOUSING MATERIAL: THERMOPLASTIC UL 94-V0, COLOR BLACK
  - 3- TERMINAL: PHOSPHOR BRONZE PLATING  
POSTPLATE OR SPOTPLATE 0.00076 / .00003 MIN GOLD OVER 0.00127 / .00005 MIN NICKEL IN CONTACT AREA  
TIN DIP IN TAIL AREA, BOTH OVER 0.00127 / .000050 MIN NICKEL OVER ALL.
  - 4- JACK TO BE MATCHED WITH F.C.C. 68.5 PLUGS (MOLEX-PLUGS: 85568.95043.90075-SERIES)
  - 5- PRODUCT SPECIFICATION: PS-85780-001
  - 6- PLEASE REQUEST MOLEX FOR A FRENCH INSTALLATION MANUAL IF DISTRIBUTED IN CANADA
  - 8- RECOMMENDED PCB LAYOUT AND PANEL CUT OUT SEE SHEET 2
  - 10- NO TRACES WITHOUT INSULATION ALLOWED ON BOARD PCB IN THIS DASHED AREAS UNDER THE METAL SHIELD
  - 11- PIN LENGTH FOR RECOMMENDED PCB MAX. THICKNESS OF .140" REFER TO STANDARD PC 610 REVISION C, CLASS 3
  - 12- STAND-OFF PLANE TO CUSTOMER PCB

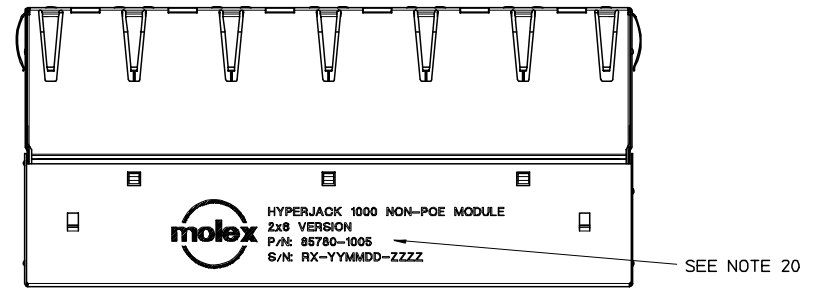
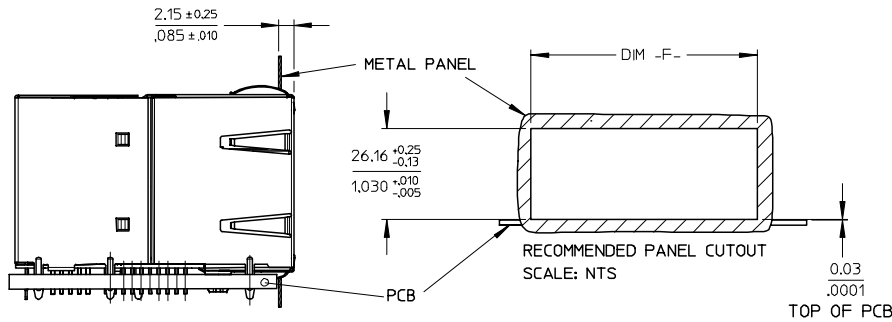
EC NO. M62007-0068 DRAWN BY: RSCHIEBER 2006/12/11 CHKD: MARLT 2006/12/12 APPR: AVOST 2006/12/19 DESCRIPTION	QUALITY SYMBOLS ▽=0 ▽=0	GENERAL TOLERANCES (UNLESS SPECIFIED) 4 PLACES ± --- ± --- 3 PLACES ± --- ± .006 2 PLACES ± 0.15 ± .01 1 PLACE ± 0.25 ± --- ANGULAR ± 5 °	DIMENSION STYLE MM/IN DRAWN BY: RSCHIEBER DATE: 2006/04/21 CHECKED BY: MARLT DATE: 2006/04/21 APPROVED BY: SFILIPON DATE: 2006/04/21	SCALE: 2:1 DESIGN UNITS: METRIC THIRD ANGLE PROJECTION
	DRAFT WHERE APPLICABLE MUST REMAIN WITHIN DIMENSIONS	MATERIAL NO.: 85780-1005 SIZE: A2	TITLE: HJ1000 S&G WITH LED NON POE BASED POE POP SWAPPED PORTS MOLEX INCORPORATED	DOCUMENT NO.: SD-85780-002 SHEET NO.: 1 OF 2

12 11 10 9 8 7 6 5 4 3 2 1



Detail3 SCALE 4:1  
PORTS E, F, G, H  
(THE SAME FOR ALL VERSIONS)

SUGGESTED PCB BOARD LAYOUT 2x6 VERSION, COMPONENT SIDE VIEW



MATERIAL NUMBER	NUMBERS OF PORTS	DIM -E-	DIM -F-
85780-1005	6/6	81.28/3.2	88.01/3.465

NOTES:

- 20 - INSCRIPTION TO BE MARKED BY LASER PRINTER.
- INSCRIPTION:
- PART NAME
- PART NUMBER
- SERIES NUMBER -> CONNECTOR REVISION - DATE CODE (YEAR, MONTH, DAY) - CONSECUTIVE NUMBER

PATENTS PENDING

REV	DESCRIPTION	QUALITY SYMBOLS		GENERAL TOLERANCES (UNLESS SPECIFIED)		DIMENSION STYLE		SCALE	DESIGN UNITS	THIRD ANGLE PROJECTION
		mm	INCH	mm	INCH	MM/IN	DATE	DATE	METRIC	DATE
EC NO. M62007-0068	2006/12/11	4 PLACES	± ---	± ---	MM/IN	DRAWN BY	DATE	2:1	METRIC	THIRD ANGLE PROJECTION
DRW:NRSCHIEBER	2006/12/12	3 PLACES	± ---	± .006		RSCHIEBER	2006/04/21			
CHK:MARLT	2006/12/12	2 PLACES	± 0.15	± .01		CHECKED BY	DATE			
APPR:AVOST	2006/12/19	1 PLACE	± 0.25	± ---		MARLT	2006/04/21			
		ANGULAR ± 5 °				APPROVED BY	DATE			
						SFILIPON	2006/04/21			
		DRAFT WHERE APPLICABLE MUST REMAIN WITHIN DIMENSIONS		SEE SHEET 1		DOCUMENT NO.		SD-85780-002		SHEET NO. 2 OF 2
				THIS DRAWING CONTAINS INFORMATION THAT IS PROPRIETARY TO MOLEX INCORPORATED AND SHOULD NOT BE USED WITHOUT WRITTEN PERMISSION						