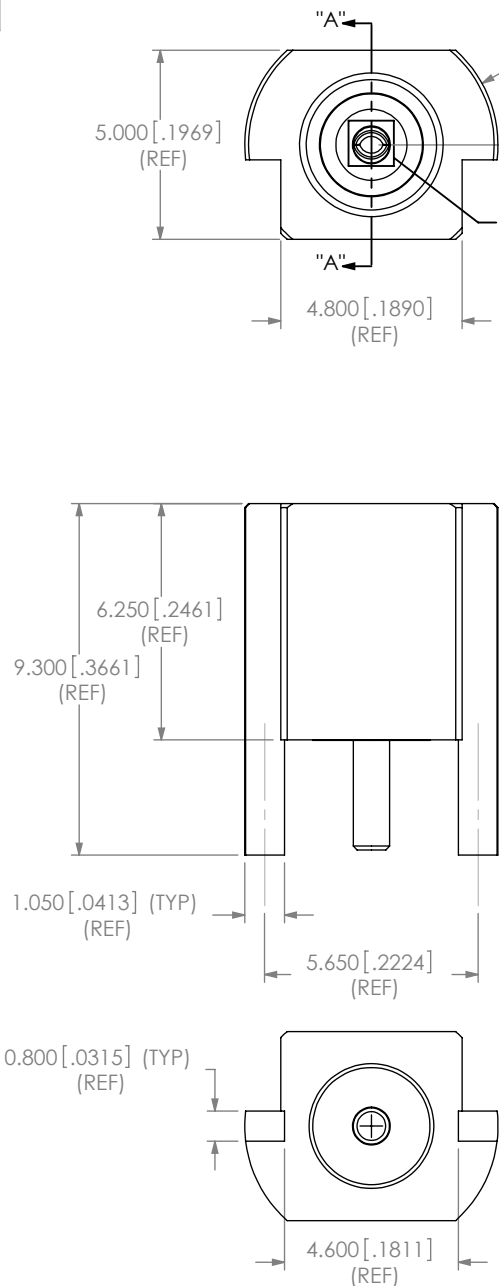
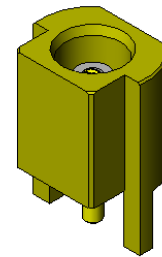
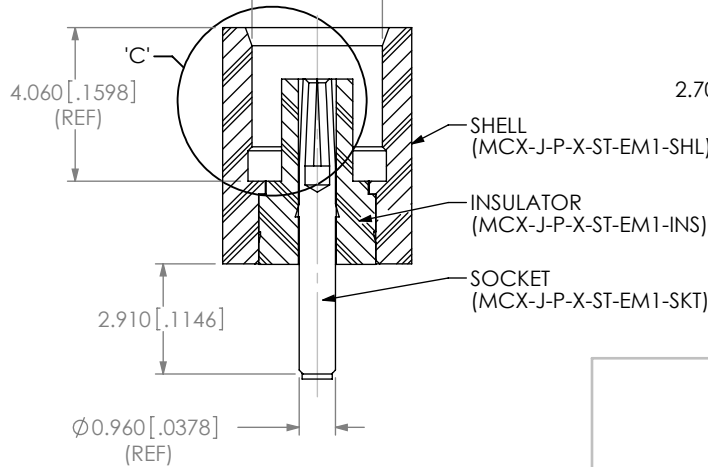
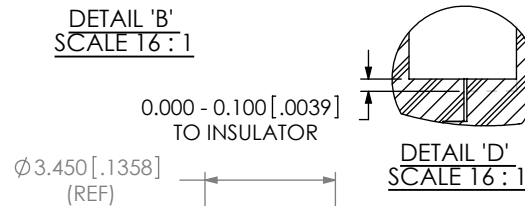
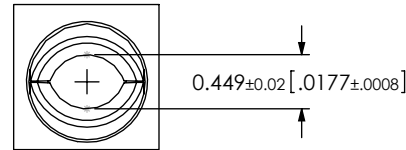


DO NOT SCALE FROM THIS PRINT

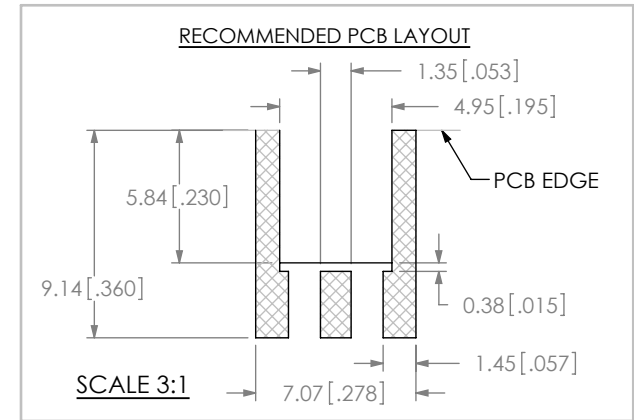
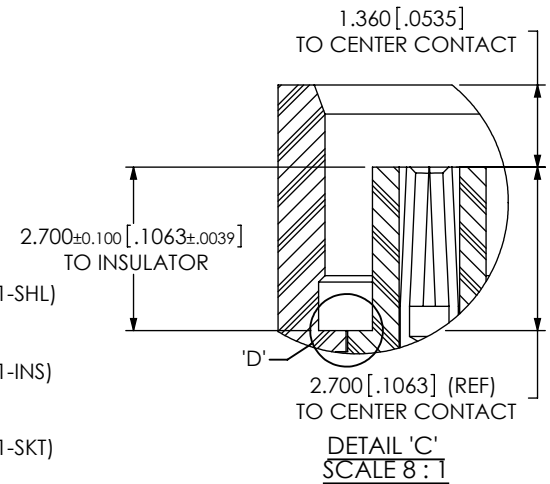


DESIGNED & DIMENSIONED IN MILLIMETERS [INCHES]



GENDER -J: JACK
 TYPE -P: PCB
 TERMINATION -EM1: EDGE MOUNT
 ORIENTATION -ST: STRAIGHT

PLATING SPECIFICATION
 -H: HEAVY GOLD (SEE TABLE 1)



NOTES:

1. REPRESENTS A CRITICAL DIMENSION.
2. PUSHOUT FORCE FOR INSULATOR: 20 N [4.5 LB] MIN.
3. PUSHOUT FORCE FOR CENTER CONTACT: 10 N [2.25 LB] MIN.
4. PARTS TO BE PACKAGED IN TRAYS; IF QUANTITY IS LESS THAN HALF TRAY, PARTS TO BE PACKAGED IN COHESIVE FOAM.
5. RoHS COMPLIANT.

F:\DWG\MISC\Mktg\MCX-J-P-X-ST-EM1-MKT.SLDDRW

UNLESS OTHERWISE SPECIFIED, DIMENSIONS ARE IN MILLIMETERS.
 TOLERANCES ARE:
 DECIMALS ANGLES
 .X: ± 0.3 [.01] 2°
 .XX: ± 0.13 [.005]
 .XXX: ± 0.051 [.0020]

PROPRIETARY NOTE
 THIS DOCUMENT CONTAINS INFORMATION CONFIDENTIAL AND PROPRIETARY TO SAMTEC, INC. AND SHALL NOT BE REPRODUCED OR TRANSFERRED TO OTHER DOCUMENTS OR DISCLOSED TO OTHERS OR USED FOR ANY PURPOSE OTHER THAN THAT WHICH IT WAS OBTAINED WITHOUT THE EXPRESSED WRITTEN CONSENT OF SAMTEC, INC.

MATERIAL: DO NOT SCALE DRAWING SHEET SCALE: 5:1
 SEE TABLE 1

520 PARK EAST BLVD, NEW ALBANY, IN 47150
 PHONE: 812-944-6733 FAX: 812-948-5047
 e-Mail: info@SAMTEC.com code: 55322

DESCRIPTION:
 MCX STRAIGHT, EDGE MOUNT JACK - 50 OHM

DWG. NO. **MCX-J-P-X-ST-EM1**

BY: R MUSSER 02/062008 SHEET 1 OF 1

TABLE 1: MATERIAL

SAMTEC PART NUMBER	ITEM	MATERIAL	PLATING - (REFERENCE)
MCX-J-P-X-ST-EM1-SHL	SHELL	BRASS C3604B	0.00013 [.000005] GOLD OVER .00127 [.000050] NICKEL
MCX-J-P-X-ST-EM1-INS	INSULATOR	PTFE TEFLON (WHITE)	N/A
MCX-J-P-X-ST-EM1-SKT	SOCKET	BeCu C17300	0.00076 [.000030] GOLD OVER .00127 [.000050] NICKEL