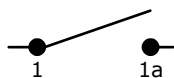
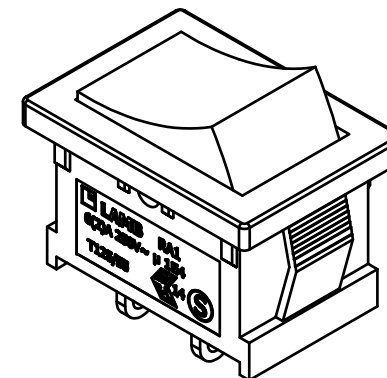
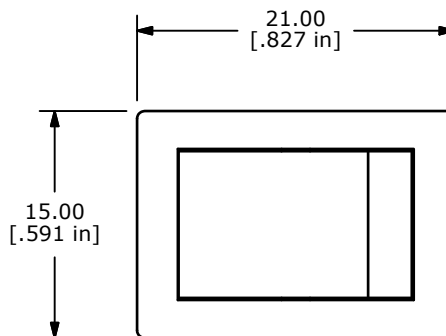


PANEL CUTOUT

PANEL THICKNESS	(X) DIMENSION
0.75 - 1.25	19.2
1.25 - 2.00	19.4
2.00 - 3.00	19.6

SWITCH FUNCTION	
POS. 1	POS. 2
OFF	(ON)
OPEN	1-1a

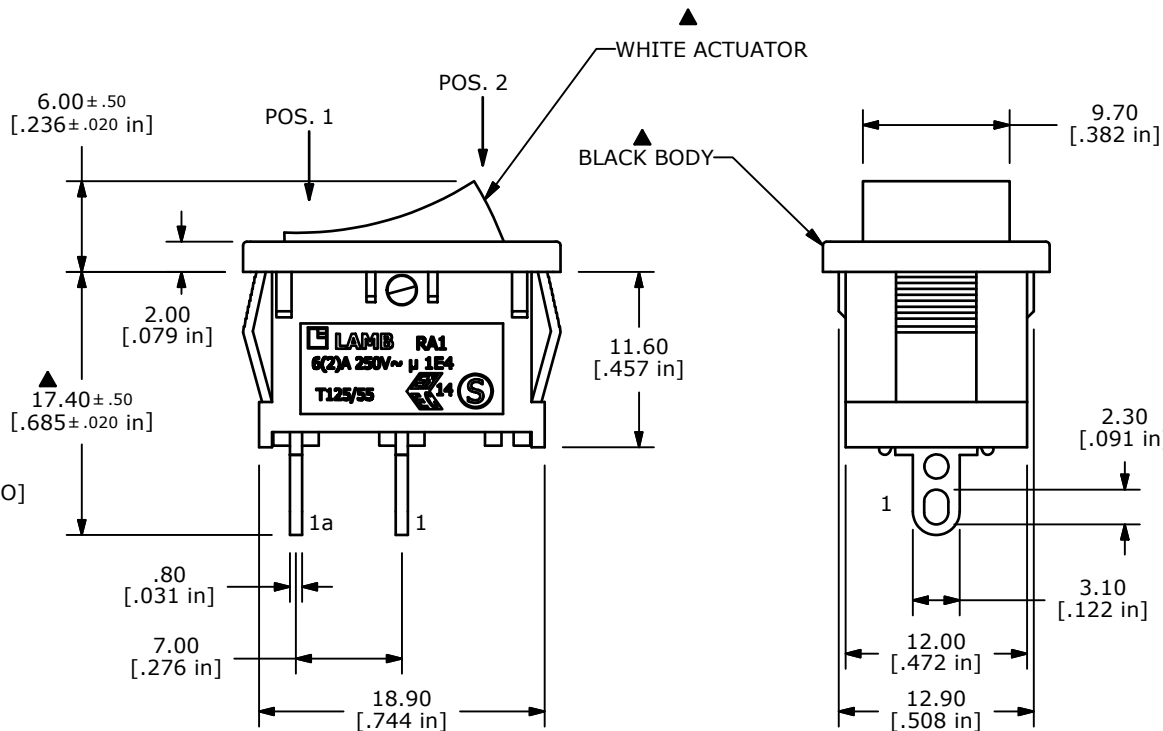
(ON) = MOMENTARY



CIRCUIT: SPST

NOTE:

1. DIMENSIONS IN MM [INCH]
2. GENERAL TOLERANCE: X.X = ± 0.4  
X.XX = ± 0.25
3. TERMINAL NUMBERS FOR REF ONLY
4. CONTACT MATERIAL: SILVER
- ▲ 5. CONTACT RATINGS:  
ANSI/UL 1054 AND CAN/CSA C22.2 NO. 55 (E194579):  
10A @ 125VAC [UR, cUR]  
EN 61058-1:2002:  
6(2)A 250V~ μ 1E4 T125/55 [ENEC14, SEMKO]
6. CONTACT RESISTANCE: 35mΩ MAX. @ 50VAC
7. INSULATION RESISTANCE: 100MΩ MIN. @ 500VAC
8. DIELECTRIC STRENGTH: 1,500VAC FOR 1 MINUTE
9. ELECTRICAL LIFE: 6,000 CYCLES [UR, cUR]  
10,000 CYCLES [ENEC14, SEMKO]
10. OPERATING TEMPERATURE: -20°C TO 105°C [UR, cUR]  
-20°C TO 125°C [ENEC14, SEMKO]
11. ▲ DENOTES CRITICAL PARAMETER
12. 2002/95/EC (ROHS) COMPLIANT



TITLE RA12431200

A	20436	RELEASE FOR PRODUCTION	1/30/12	BGL
REV	PCR NO	DESCRIPTION	DATE	BY

SCALE	DATE	DR	DWG	REV
2:1	1/30/2012	BGL	38-RA12431200	A

THE INFORMATION CONTAINED IN THIS DOCUMENT IS PROPRIETARY TO E-SWITCH AND IS NOT TO BE COPIED OR TRANSFERRED