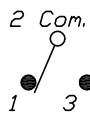


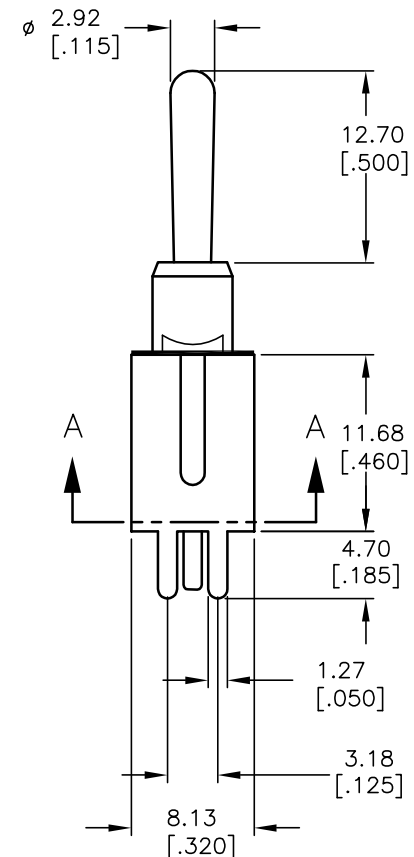
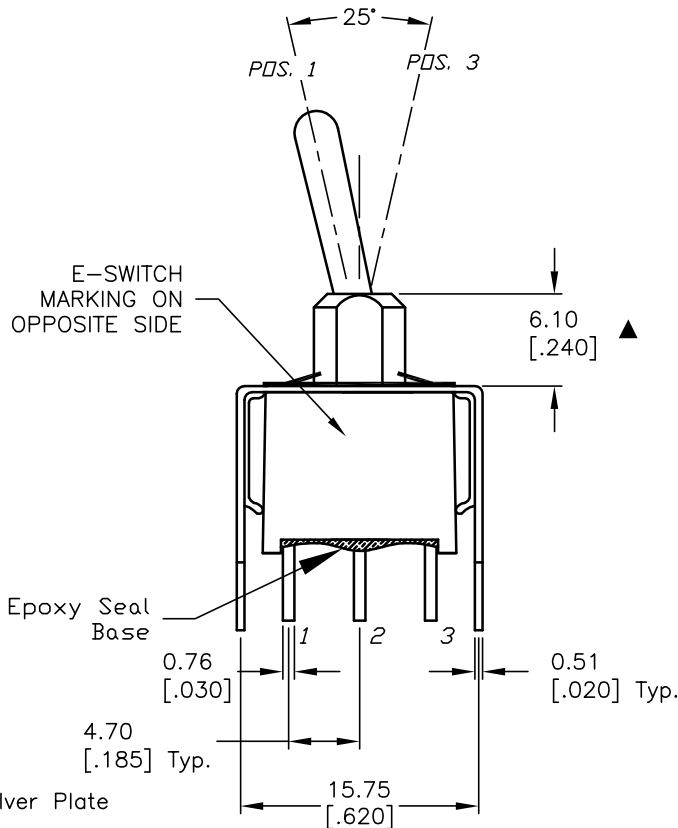
RECOMMENDED P.C.B. LAYOUT

SCALE: 2X



SPDT CIRCUIT CONTACT CONFIGURATION

| SWITCH FUNCTION | | |
|-----------------|--------|--------|
| POS. 1 | POS. 2 | POS. 3 |
| | | |
| <DN> | OFF | <DN> |
| 2-3 | OPEN | 2-1 |



NOTES:

1. ALL DIMENSIONS IN MM
2. GENERAL TOLERANCE: X.X=±0.4
X.XX=±0.25
3. TERMINAL NUMBERS FOR REF ONLY
4. RATING: 5A @120VAC OR 28VDC
2A @250VAC
5. FIXED TERM. & MOVING CONTACT: Cu Alloy w/Silver Plate
6. ELECTRIC LIFE: 50,000 make-and-break cycles at full load.
7. INSULATION RESISTANCE: 1,000 Mega-ohm min.
8. DIELECTRIC STRENGTH: 1,000 V RMS @sea level.
9. OPERATING TEMP.: -30°C to 85°C
10. ▲ DENOTES CRITICAL PARAMETER.

E-SWITCH®

| | | | | |
|-------------------|---------|----|---------|-----|
| TITLE | | | | |
| 100AWSP4T1B4VS2QE | | | | |
| SCALE | DATE | DR | DWG | REV |
| 2:1 | 8/26/03 | AR | T104009 | A |

| | | | | |
|--|---------|-------------------------|---------|------|
| A | 13401 | RELEASED FOR PRODUCTION | 8/26/03 | AR |
| REV. | ECN No. | DESCRIPTION | DATE | CHKD |
| THE INFORMATION CONTAINED IN THIS DOCUMENT IS PROPRIETARY TO E-SWITCH AND IS NOT TO BE COPIED OR TRANSFERRED | | | | |