

4831, PCB terminals, screened, 2-pole, Audio Plug/Sockets, 2.5 mm



Description

- PCB Mounting :
Screw-on mounting , from rear-side
- Audio entrances and exits
- Data and Signal transfer
- Audio Plug: 2-pole , shielded , straight

References

Alternative: Housing insulated [4831.2230](#)

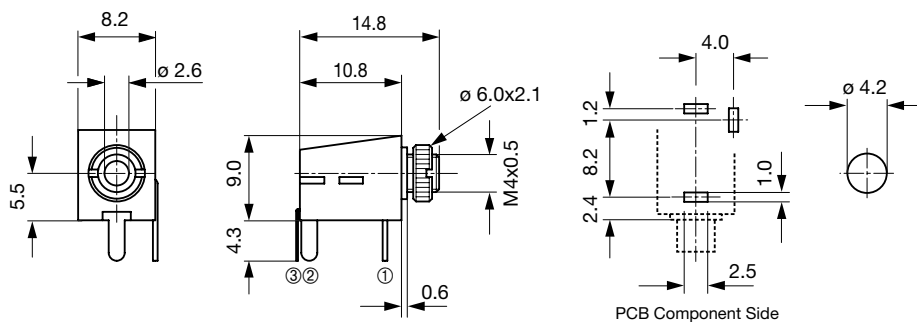
Technical Data

Diameter	2.5 mm
Number of Poles	2-pole
Ratings DC	0.5 A / 30 VDC
Ratings AC	0.5 A / 30 VAC
Dielectric Strength	500VDC
Insulation Resistance	> 100 MΩ @ 500VDC

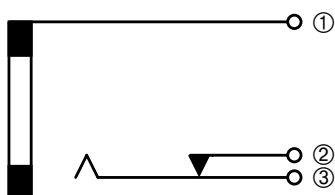
Allowable Operation Temperature	-20 °C to 70 °C
Terminal	PCB terminals silver plated
Mounting	Screw-on mounting wall thickness max. 1.5 mm
Housings	screened
Style	straight
Lifetime	5000 Insertions

Detailed information on product approvals, code requirements, usage instructions and detailed test conditions can be looked up in [General Product Information](#)

Dimensions



Diagrams



All Variants

Product group	Diameter [mm]	Number of Poles	Terminal	Order Number
Audio Plug/Sockets	2.5	2-pole	PCB terminals	4831.2220

Availability for all products can be searched real-time:<http://www.schurter.com/en/Stock-Check/Stock-Check-SCHURTER>

Packaging unit 500 Pcs

Mating Inlets/Plugs

Category / Description

[Audio Plug/Sockets Overview complete](#)



4831, solder terminal, screened, 2-pole, Audio Plug/Sockets, 2.5 mm	4831.1200
4831, solder terminal, insulated, 2-pole, Audio Plug/Sockets, 2.5 mm	4831.1210
4831, solder terminal, insulated, 2-pole, Audio Plug/Sockets, 2.5 mm	4831.1220

[Audio Plug/Sockets further types to 4831.2220](#)