

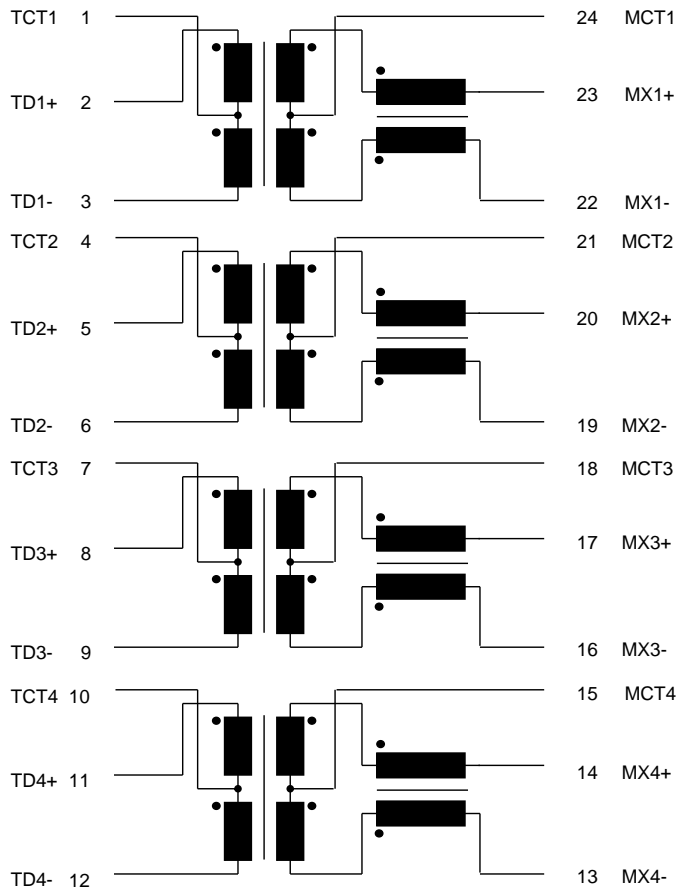
Spezifikation für Freigabe / specification for release

Kunde / customer :
 Artikelnummer / part number : **749020010A**
 Bezeichnung : **LAN-Übertrager WE-LAN**
 description : **LAN-Transformer WE-LAN**



DATUM / DATE : 2015-01-26

H Schaltbild / Schematics :



Freigabe erteilt / general release:	Kunde / customer		
.....	JaB	Revision 05 2015-01-26
Datum / date	Unterschrift / signature	LuRa	Revision 04 2014-07-28
.....	MLe	Revision 03 2014-01-10
.....	Würth Elektronik	MLe	Revision 02 2012-11-28
.....	Mle	Revision 01 2012-10-31
Geprüft / checked	Kontrolliert / approved	MLe	Revision 00 2012-10-10
		Name	Änderung / modification Datum / date

Würth Elektronik eiSos GmbH & Co.KG

D-74638 Waldenburg · Max-Eyth-Straße 1 - 3 · Germany · Telefon (+49) (0) 7942 - 945 - 0 · Telefax (+49) (0) 7942 - 945 - 400
<http://www.we-online.com>

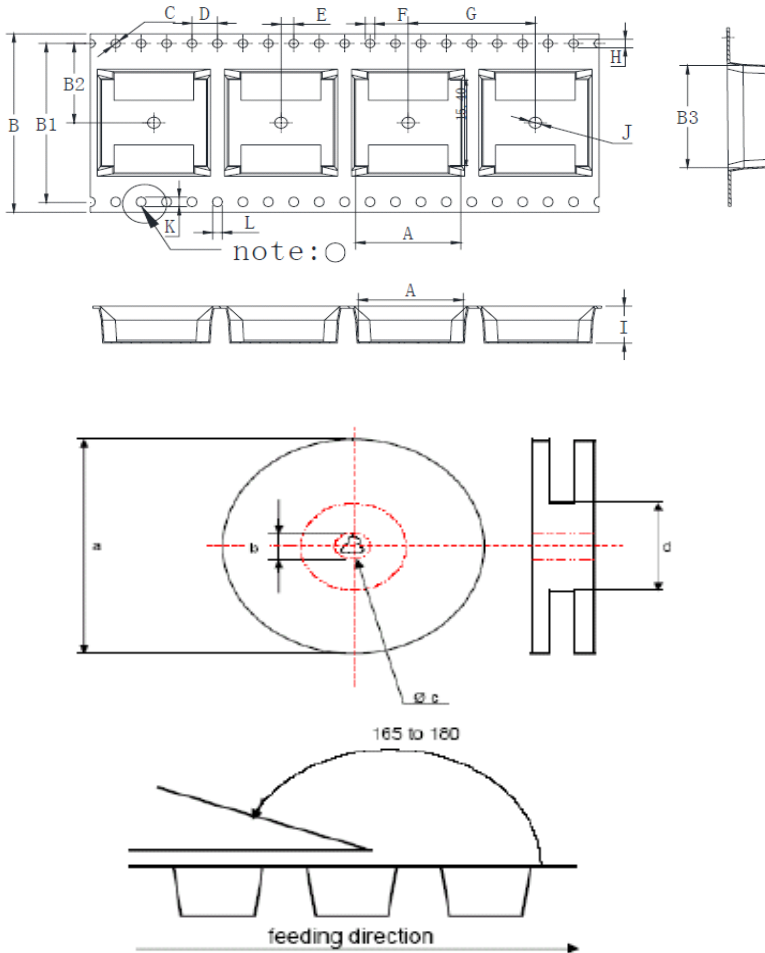
Spezifikation für Freigabe / specification for release

Kunde / customer :
 Artikelnummer / part number : **749020010A**
 Bezeichnung : **LAN-Übertrager WE-LAN**
 description : **LAN-Transformer WE-LAN**



DATUM / DATE : 2015-01-26

I Rollenspezifikation / tape and reel specification :



Gurtspezifikation / Tape specification:

A	16,50 ± 0,10	mm
B	32,00 ± 0,30	mm
B1	28,40 ± 0,10	mm
B2	14,20 ± 0,10	mm
B3	17,93 ± 0,10	mm
C	1,50 + 0,10/-0	mm
D	4,00 ± 0,10	mm
E	2,00 ± 0,10	mm
F	1,50 + 0,10/-0	mm
G	20,00 ± 0,10	mm
H	1,50 + 0,10/-0	mm
I	6,60 ± 0,10	mm
J	2,00 + 0,10/-0	mm
K	1,70 + 0,10/-0	mm
L	1,50 + 0,10/-0	mm

Rollenspezifikation / Reel specification:

a	330,0 ± 2,0	mm
b	21,00 ± 0,8	mm
c	13,60 ± 0,5	mm
d	100,0 ± 1,0	mm

Freigabe erteilt / general release:	Kunde / customer		
Datum / date	Unterschrift / signature		
	Würth Elektronik		
Geprüft / checked	Kontrolliert / approved		
		Name	Änderung / modification
			Datum / date

This electronic component has been designed and developed for usage in general electronic equipment. Before incorporating this component into any equipment where higher safety and reliability is especially required or if there is the possibility of direct damage or injury to human body, for example in the range of aerospace, aviation, nuclear control, submarine, transportation, (automotive control, train control, ship control), transportation signal, disaster prevention, medical, public information network etc, Würth Elektronik eiSos GmbH must be informed before the design-in stage. In addition, sufficient reliability evaluation checks for safety must be performed on every electronic component which is used in electrical circuits that require high safety and reliability functions or performance.

Würth Elektronik eiSos GmbH & Co.KG

D-74638 Waldenburg · Max-Eyth-Straße 1 - 3 · Germany · Telefon (+49) (0) 7942 - 945 - 0 · Telefax (+49) (0) 7942 - 945 - 400
<http://www.we-online.com>