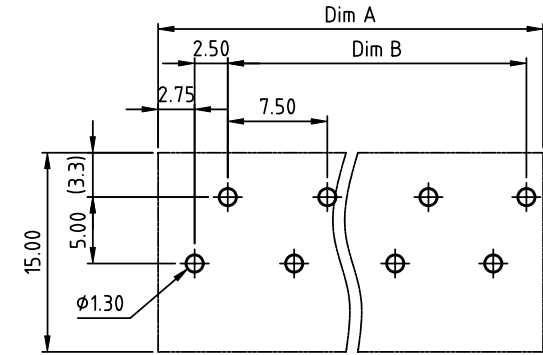
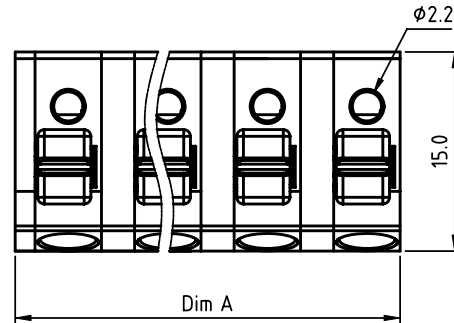
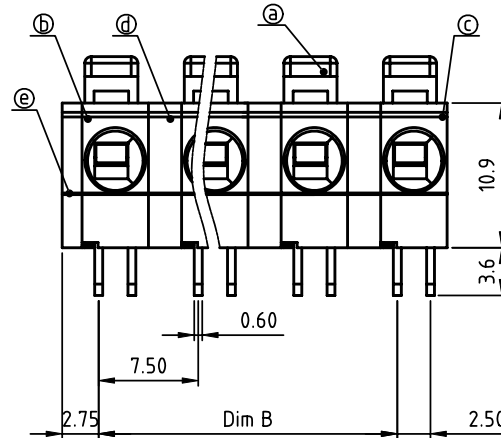
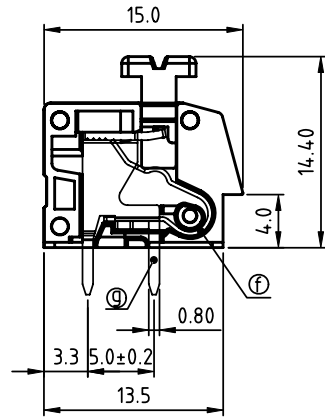


PRODUCT NUMBER	PITCH
H6xx10x000J0G	7.50 mm



RECOMMENDED P.C.B LAYOUT  
TOP VIEW



Material:

- Item (a) Lever: Thermoplastic (UL94V-0) White
- Item (b) Terminal body: Thermoplastic (UL94V-0)
- Item (c) Terminal side body: Thermoplastic (UL94V-0)
- Item (d) Pad board: Thermoplastic (UL94V-0)
- Item (e) Cover: Thermoplastic (UL94V-0)
- Item (f) Spring clamp: Stainless steel
- Item (g) Solder pin: Brass. Tin plated

Electrical:

- Voltage rating: 300 V 450 V
- Current rating: 11 A 12 A
- Wire range: 0.5-4mm<sup>2</sup>
- Solid wire(AWG): 12-20
- Stranded wire(AWG): 12-20
- Wire strip length: 10-11 mm
- Withstanding Voltage: 1.6KV 2.5KV
- Operating temperature: -40°C to +115°C
- Soldering temperature: 260°C ±5°C/5 Sec
- Safety Approval:

N=Number of poles  
Dim A=(N-1)×7.5+6.5  
Dim B=(N-1)×7.5

Poles	Dim A	Dim B
2-4p	±0.15	±0.15
5-8p	±0.20	±0.20
9-12p	±0.30	±0.25
13-16p	±0.40	±0.30

PART NO.: H6 xx 10 x 0 00J0 G

End stackable	0	Color	Black (RAL9005)	RoHS compliant	(lead<4%)
No. of poles	2		Red (RAL3001/D)	In copper Alloy	
02	2 poles		3 Orange(RAL2011/P)		
03	3 poles		4 Yellow(RAL1018/A)		
...	...		5 Green(RAL6018/T)		
16	16 poles		6 Blue (RAL5015/A)		
			8 Grey(RAL7004/P)		
			9 White(RAL1102)		
			C Multiple colors		

mat'l. code				surface	tolerance	projection	product family	
ltr ecn no dr date				ASME Y14.5	ASME Y14.5		TERMINAL BLOCK	
				tolerances unless otherwise specified		MM	title	
				angles	X.±0.5		TERMINAL BLOCK	
				fil	X.X±0.3		SPRING CLAMP,180D WIRE INLET,ROUND HOLE	
				X*±1*	X.XX±0.1	scale	dwg no sheet 1 of 1 size	
				dr	EVIN ZHONG 060614		H6xx10x000J0G A4	
				enr	EVIN ZHONG 060614		type CUSTOMER Drawing	
				chr	HANKE FENG 060614			
				appd	SHI JUN 060614			
sheet index	revision sheet	A 1						