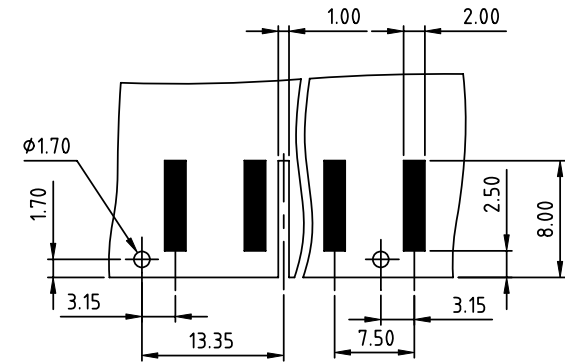
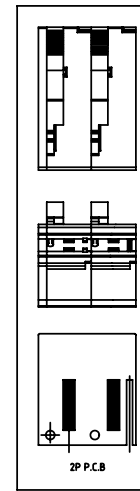
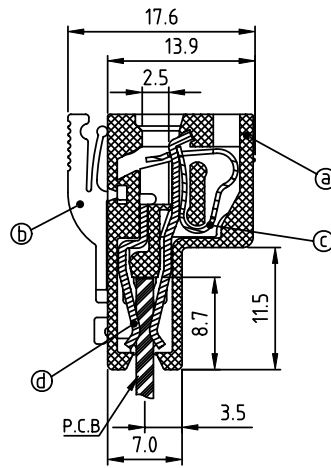
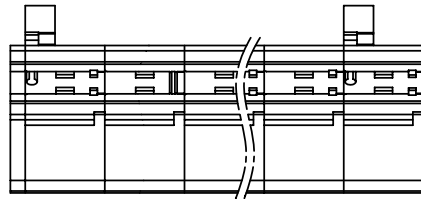
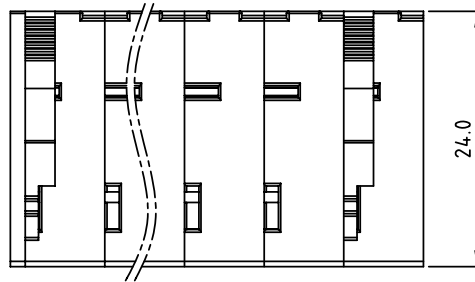
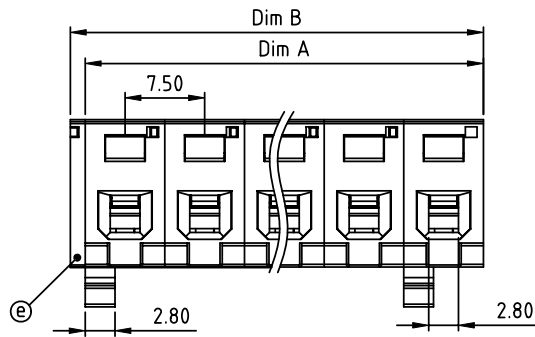


PRODUCT NUMBER	PITCH
NDxxA0x000J0G	7.50 mm



RECOMMENDED P.C.B LAYOUT  
TOP VIEW

Material:

- Item (a) Terminal (Body): Thermoplastic (UL94V-0)
- Item (b) Terminal (Lever): Thermoplastic (UL94V-0) Orange (RAL2001/P)
- Item (c) Spring clamp: Stainless Steel
- Item (d) Female Contact: PhBz(CuSn), Tin plated
- Item (e) Terminal (Cover): Thermoplastic (UL94V-0)

Electrical

- Voltage rating: 300VAC
- Current rating: 10A
- Solid wire(AWG): 14-26
- Stranded wire(AWG): 14-26
- Wire strip length: 7-8mm
- Withstanding Voltage: 1.6KV
- Size of the PCB: 1.6±0.2mm
- Operating temperature: -40°C to +115°C
- Safety Approval:

PART NO.: ND xx A 0 x 0 00J0 G

DIMENSION

Dim A	Nx7.5
Dim B	Nx7.5+1.40

N=Number of poles

Poles	Tolerance
2p-6p	±0.15
7p-12p	±0.20
13p-16p	±0.30

End stackable	No. of poles	Color	RoHS compliant (lead<4%) In copper Alloy
0	2	Black (RAL9005)	
2	2	Red (RAL3001/D)	
3	2	Orange(RAL2011/P)	
4	3	Yellow(RAL1018/A)	
5	...	Green(RAL6018/T)	
6	16	Blue (RAL5015/A)	
8	...	Grey(RAL7035/D)	
9	...	White(RAL1102)	
C	...	Green(RAL6018/U)	

mat'l. code		surface ASME Y14.5	tolerance ASME Y14.5	projection	product family TERMINAL BLOCK
ltr	ecn no	dr	date	tolerances unless otherwise specified	title TERMINAL BLOCK
				angles	MM
				X±0.5	scale
				X.X±0.3	dwg no
				X'±1"	sheet 1 of 1
		dr	EVIN ZHONG	052014	size A4
		enr	EVIN ZHONG	052014	NDxxA0x000J0G
		chr	HANKE FENG	052014	type CUSTOMER Drawing
		appd	SHI JUN	052014	
sheet index	revision sheet	A	1		