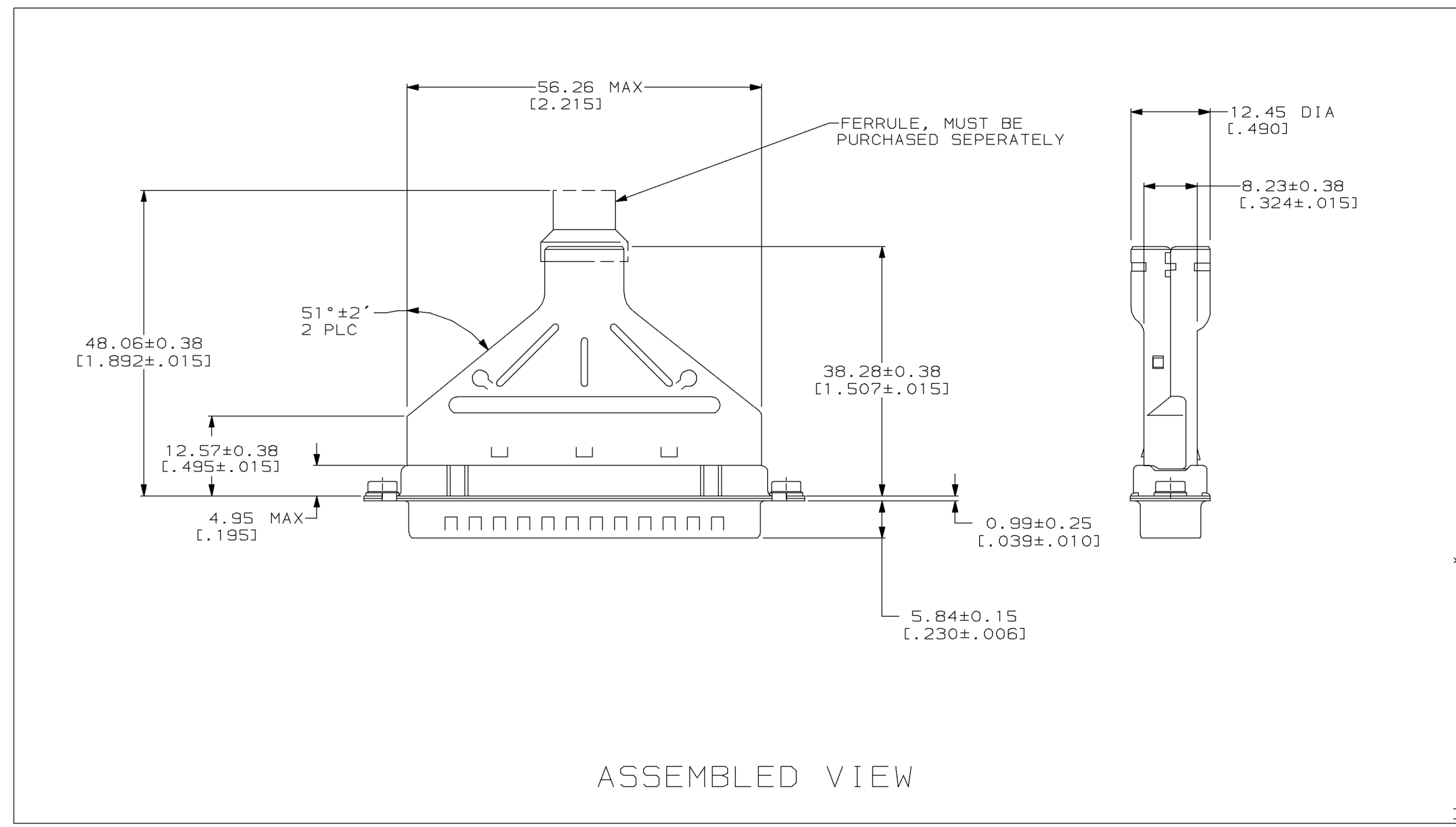
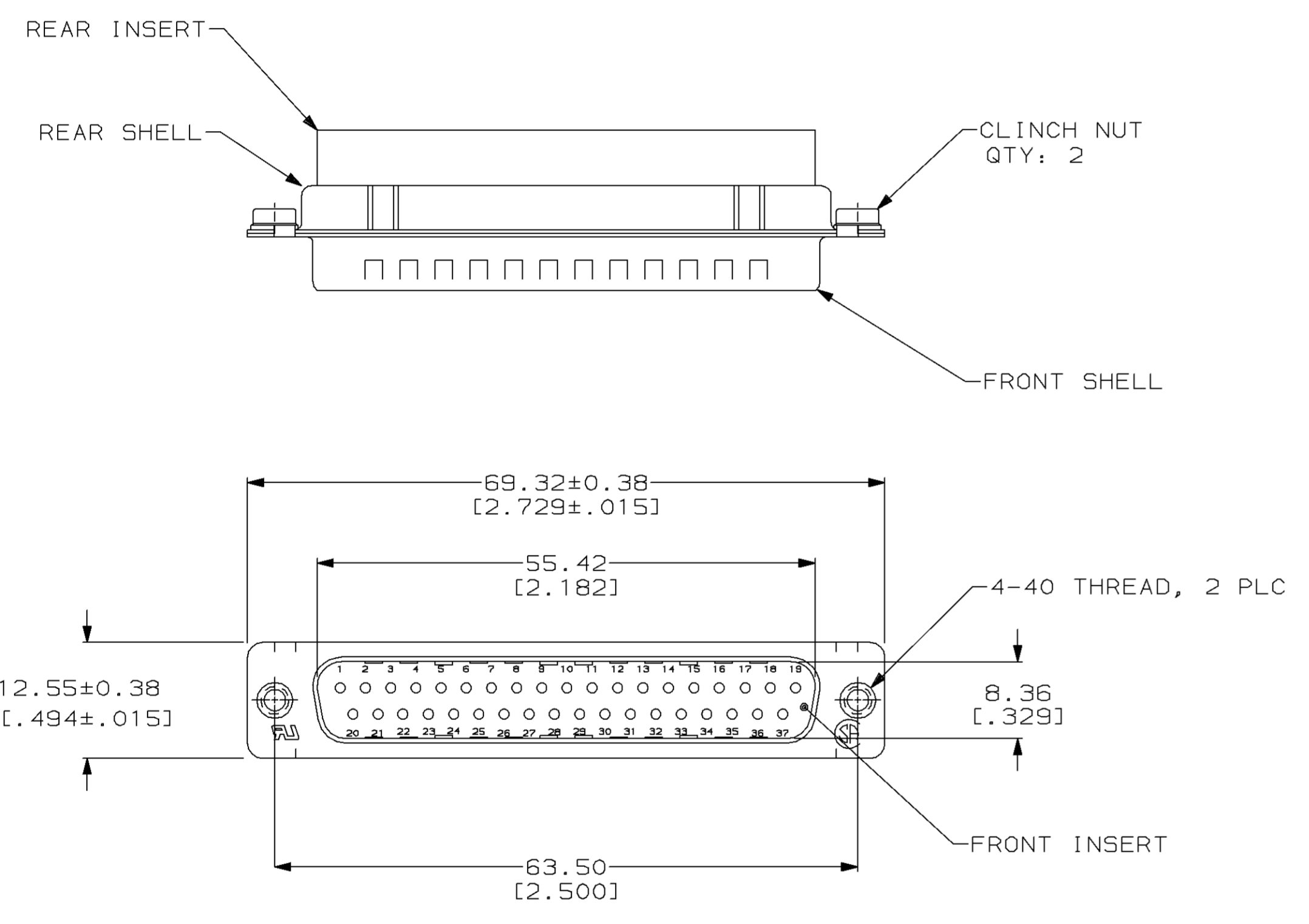
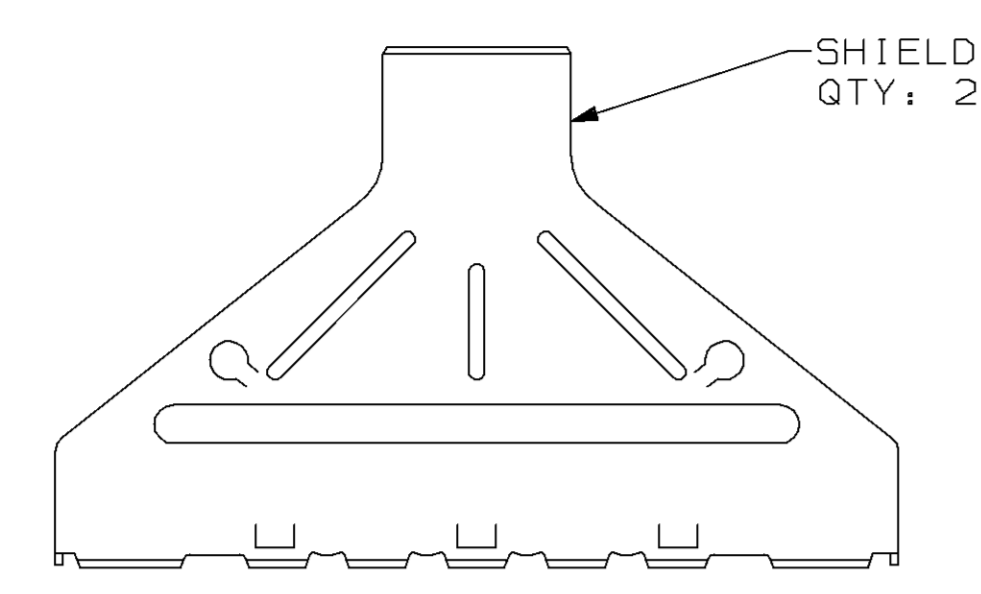


LOC		DIST		ZONE		LTR		REVISIONS		
BD	48	P	F					DESCRIPTION	DATE	APPD
								0 RLSE NPR 4847, WAS 93-5788-2-1	6-28-93	-



ASSEMBLED VIEW

- 1 CARBON STEEL.
- 2 5.08µm [.000200] MIN TIN OVER 2.54µm [.000100] MIN COPPER.
- 3 NYLON, UL 94V-0 RATED, GLASS FILLED, BLACK.
- 4 ZINC PLATED, YELLOW CHROMATE.

THIS DRAWING IS A CONTROLLED DOCUMENT FOR AMP INCORPORATED. IT IS SUBJECT TO CHANGE AND THE CONTROLLING ENGINEERING ORGANIZATION SHOULD BE CONTACTED FOR THE LATEST REVISION.

DO NOT SCALE PRINT. UNLESS SPECIFIED DIMENSIONS IN mm [INCHES] TOLERANCES ON:		DR 6-28-93 J McCLINTON	AMP AMP Incorporated Harrisburg, PA 17105-3608	
2 PLC DEC ± 0.13 (.005) 3 PLC DEC ± - ANGLES ± -		CHK 6-28-93 R. STONE		
MATERIAL	INSERTS: 3	APPD 6-29-93 S. BRINSER	NAME PLUG KIT, UNASSEMBLED, SIZE 4, 37 POSITION, WITH SHIELDING HARDWARE AND CLINCH NUT, HDP-20 AMPLIMITE™	
SHELLS, SHIELDS & CLINCH NUTS: 1	FINISH	APPD 6-29-93 S. BRINSER	PRODUCT SPEC 108-40030	
SHELLS & SHIELDS: 2	CLINCH NUTS: 4	APPLICATION SPEC 114-40007	SIZE D	CAGE CODE 00779
		WEIGHT -	DRAWING NO. 786929	DRAWING NO. 786929
			SCALE 4:1	SHEET 1 OF 1

786929-1
PART NO

NOT THE LATEST REVISION

CUSTOMER DRAWING