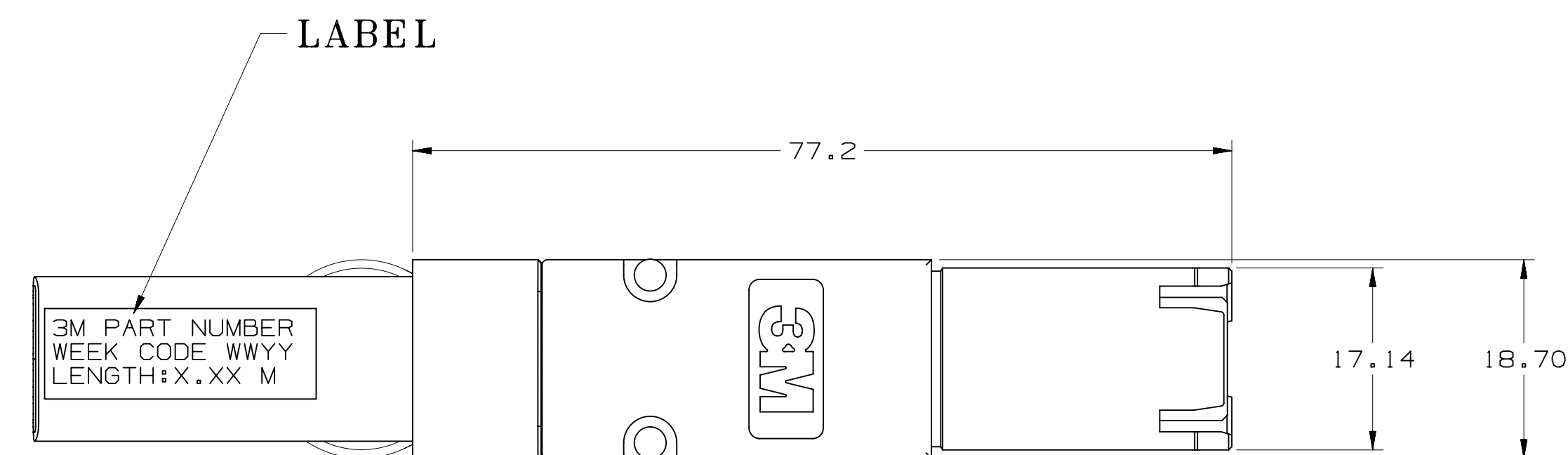
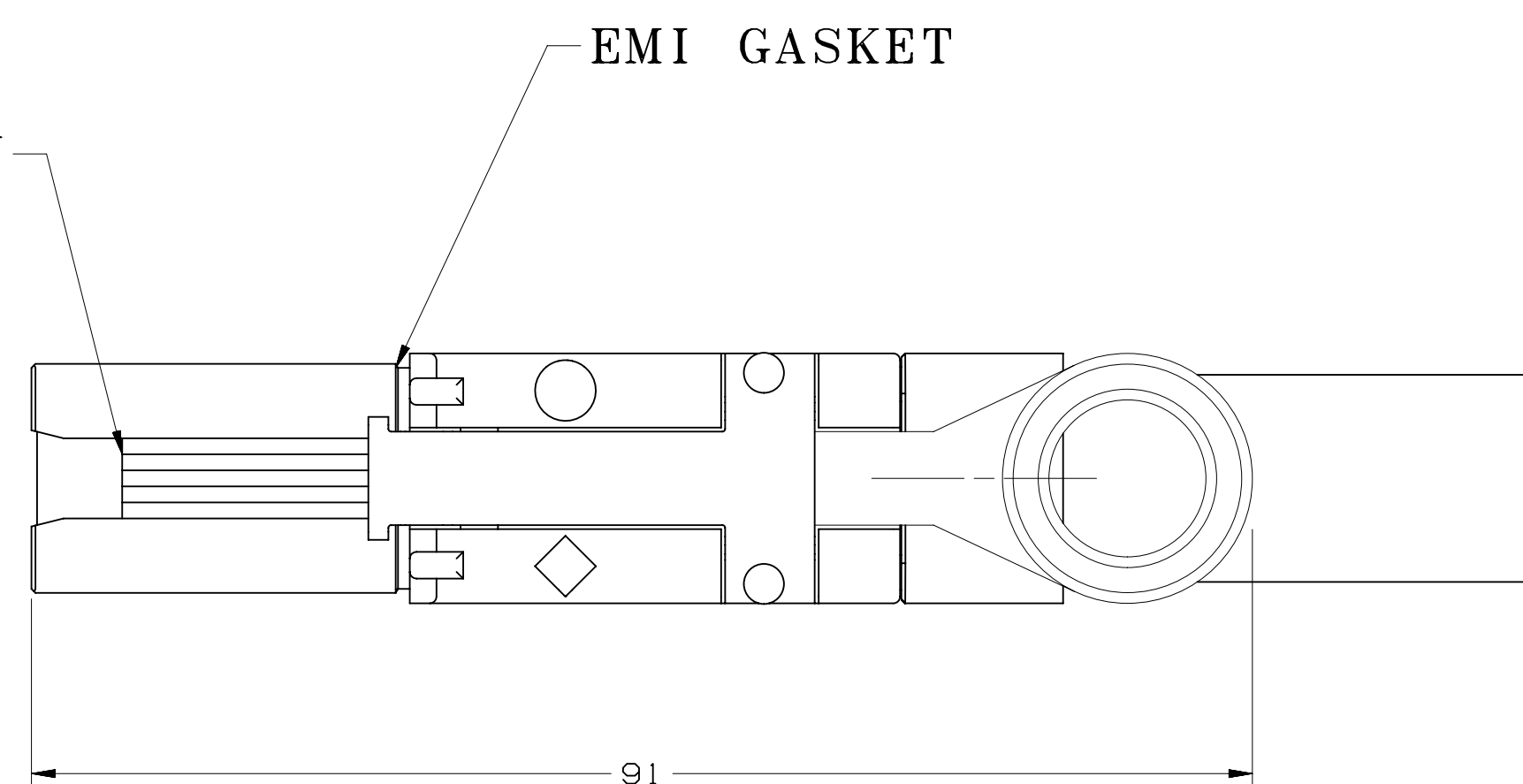
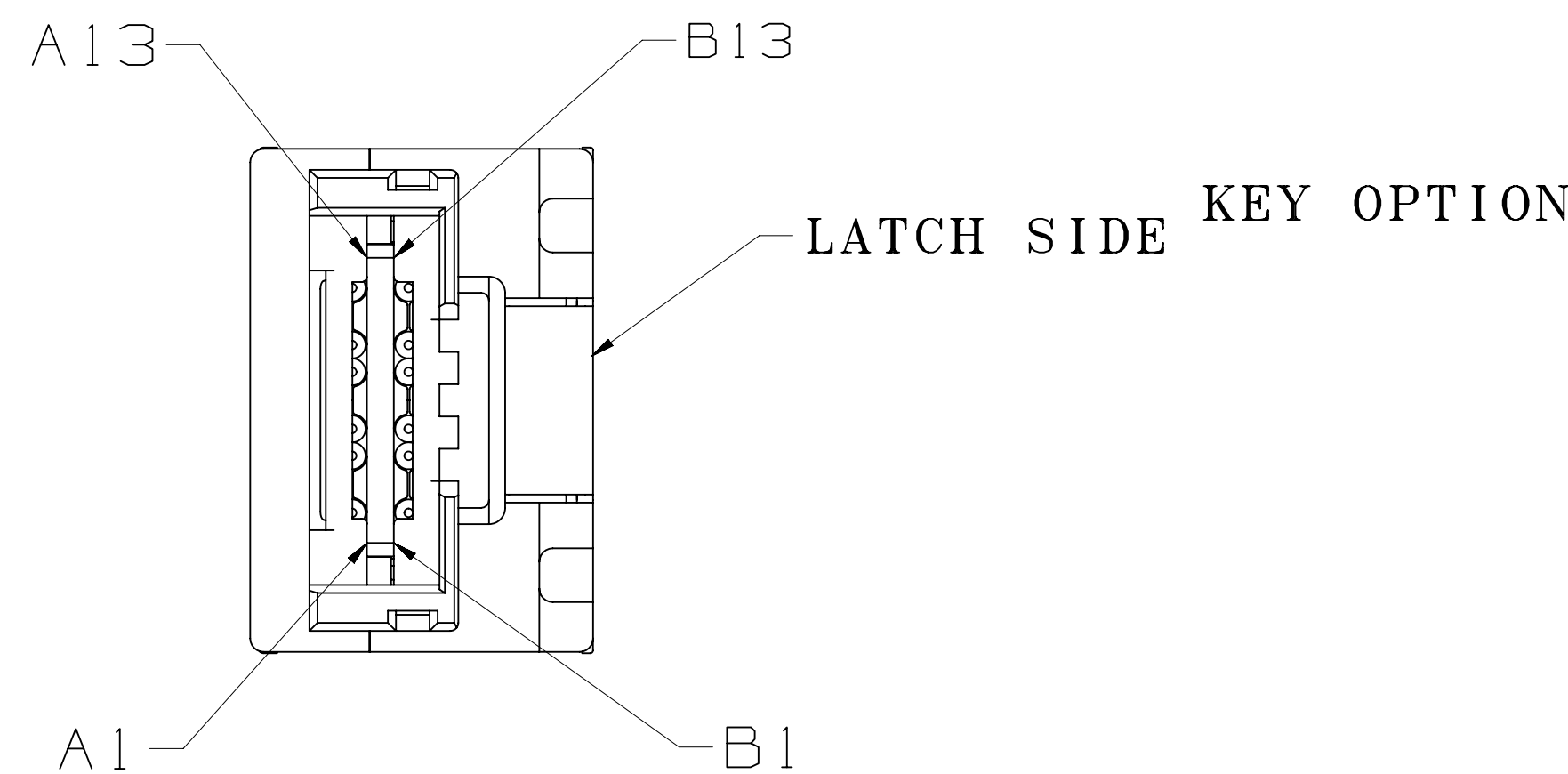
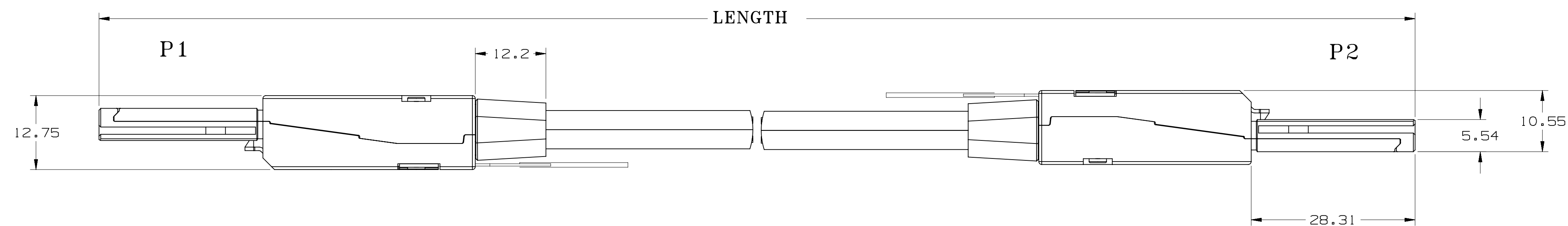
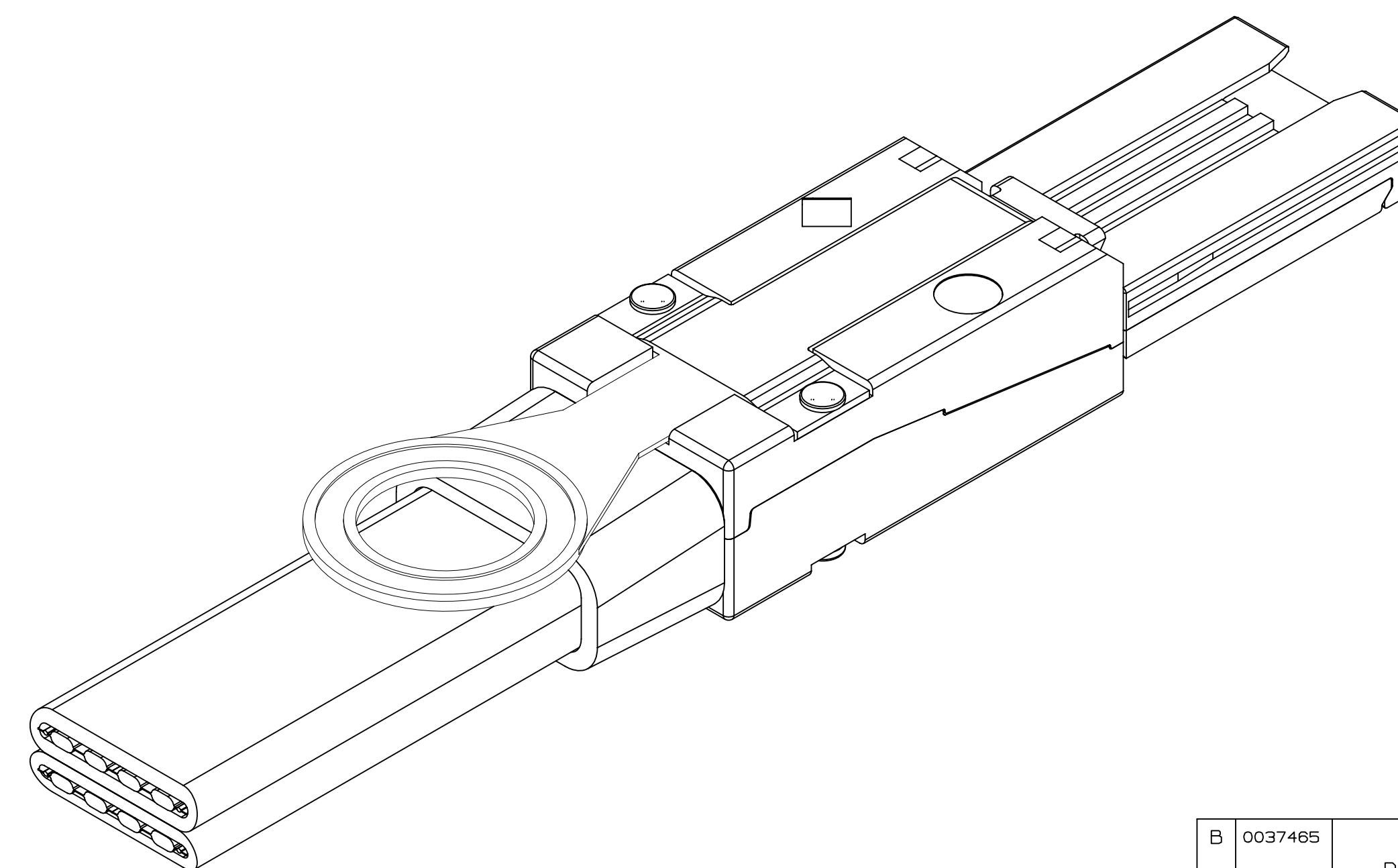


3M™ High Routability External MiniSAS Cable Assembly. 8G26 Series.



NOTES:

- Material:
 - Backshells: Nickel Plated Zinc alloy.
 - Signal wire: Silver plated solid conductor
AWG depends on length
 - Ground wire: Tin plated solid conductor
 - Jacket: PVC
 - Strain relief: PVC; Color: Black
 - Pull tab: Thermoplastic; Color: Blue
 - EMI Gasket: Conductive elastomer
- Product Specification : PS-0099.
- RoHS compliant: See regulatory information appendix in "RoHS compliance" section at www.3Mconnectors.com (E1 & C1 apply).
- Assembly meets SFF8086 and SFF8088
- Electrical performance per SAS 2.1
- Product mates to 3M 8A26 series receptacle and 8C26 series cage.
- For custom lengths contact 3M sales representative



3M PART NUMBER
WEEK CODE WWYY
LENGTH:X.XX M

LABEL ARTWORK

WWW.3Mconnectors.com

| | | | | | | |
|--|---------------|----------------------------|-----|----------------------------|------|------|
| DESIGN REFERENCE | NEXT ASSEMBLY | REV | ECO | ISSUE DATE AND DESCRIPTION | DRFT | CHKD |
| | | RAO VITTAPALLI | | JUN 16, 2011 | | |
| | | MARK LETTANG | | SEP 07, 2011 | | |
| DIVISION | | DIVISION CODE | | | | |
| DO NOT SCALE DRAWING | SCALE 2/1 | TOLERANCES EXCEPT AS NOTED | | | | |
| THIRD ANGLE PROJECTION | | INCHES | | | | |
| INTERPRET PER ASME Y14.5 - 1994 | | MILLIMETERS | | | | |
| MAX SURFACE ROUGHNESS 125 | | ALL SURFACES | | | | |
| MARKED ONLY | | ANGLES ±1° | | | | |
| TITLE | | 3M CENTER | | | | |
| 3M EXTERNAL MINISAS TWINAX CABLE ASSY CUSTOMER DRAWING | | St. Paul, MN 55144 | | | | |
| CAGE NUMBER | | DRAWING NO. | | | | |
| D78-5100-4815-0 | | REV. B | | | | |
| MODEL | | SHT 1 OF 2 | | | | |

78-5100-4815-6 DRAWING NUMBER

3M™ High Routability External MiniSAS Cable Assembly. 8G26 Series.

PIN OUT

8G26-XA-XB1-00-X.XX

LENGTH IN Meters
5.00(MAX)

KEYING

U -2,4,6(P1-P2)
C -2,4 AND 4,6

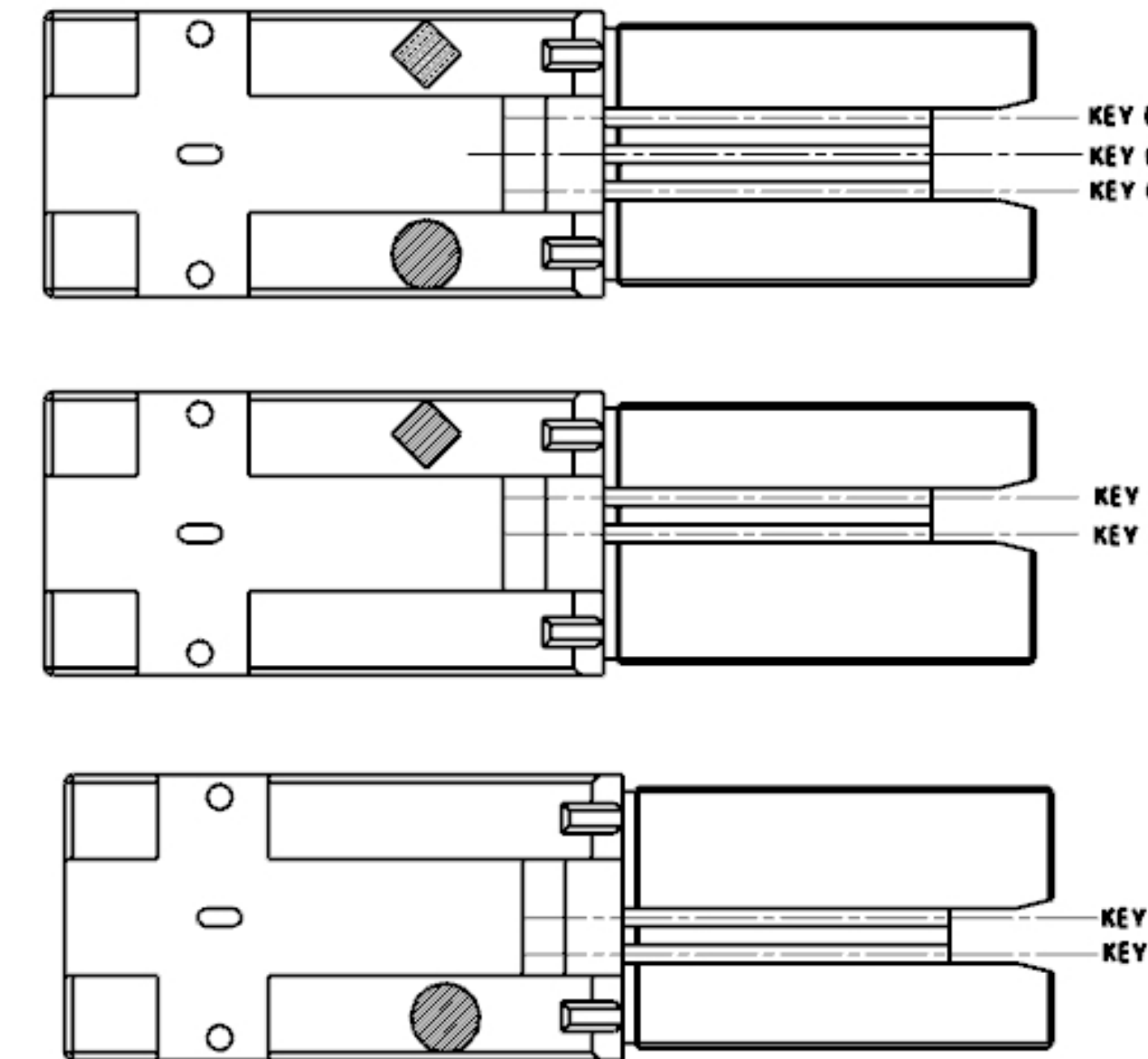
AWG

0-30AWG
8-28AWG

| P1 | | P2 | |
|-----|-------|-----|-------|
| A1 | GND | B1 | GND |
| A2 | Rx 0+ | B2 | Tx 0+ |
| A3 | Rx 0- | B3 | Tx 0- |
| A4 | GND | B4 | GND |
| A5 | Rx 1+ | B5 | Tx 1+ |
| A6 | Rx1- | B6 | Tx1- |
| A7 | GND | B7 | GND |
| A8 | Rx 2+ | B8 | Tx 2+ |
| A9 | Rx2- | B9 | Tx2- |
| A10 | GND | B10 | GND |
| A11 | Rx 3+ | B11 | Tx 3+ |
| A12 | Rx 3- | B12 | Tx 3- |
| A13 | GND | B13 | GND |

| P1 | | P2 | |
|-----|-------|-----|-------|
| B1 | GND | A1 | GND |
| B2 | Tx 0+ | A2 | Rx 0+ |
| B3 | Tx 0- | A3 | Rx 0- |
| B4 | GND | A4 | GND |
| B5 | Tx 1+ | A5 | Rx 1+ |
| B6 | Tx- | A6 | Rx- |
| B7 | GND | A7 | GND |
| B8 | Tx 2+ | A8 | Rx 2+ |
| B9 | Tx2- | A9 | Rx2- |
| B10 | GND | A10 | GND |
| B11 | Tx 3+ | A11 | Rx 3+ |
| B12 | Tx 3- | A12 | Rx 3- |
| B13 | GND | A13 | GND |

| 3M PART NUMBER | KEY SLOTS P1-P2 | CABLE SIZE | LENGTH |
|---------------------|-----------------|------------|----------------------|
| 8G26-0A-UB1-00-0.50 | 2,4,6 - 2,4,6 | 30 AWG | 0.50 +/- 0.04 meters |
| 8G26-0A-UB1-00-1.00 | 2,4,6 - 2,4,6 | 30 AWG | 1.00 +/- 0.04 meters |
| 8G26-0A-UB1-00-2.00 | 2,4,6 - 2,4,6 | 30 AWG | 2.00 +/- 0.05 meters |
| 8G26-0A-UB1-00-3.00 | 2,4,6 - 2,4,6 | 30 AWG | 3.00 +/- 0.05 meters |
| 8G26-8A-UB1-00-4.00 | 2,4,6 - 2,4,6 | 28 AWG | 4.00 +/- 0.06 meters |
| 8G26-8A-UB1-00-5.00 | 2,4,6 - 2,4,6 | 28 AWG | 5.00 +/- 0.08 meters |
| 8G26-0A-CB1-00-0.50 | 4,6 -2,4 | 30 AWG | 0.50 +/- 0.04 meters |
| 8G26-0A-CB1-00-1.00 | 4,6 -2,4 | 30 AWG | 1.00 +/- 0.04 meters |
| 8G26-0A-CB1-00-2.00 | 4,6 -2,4 | 30 AWG | 2.00 +/- 0.05 meters |
| 8G26-0A-CB1-00-3.00 | 4,6 -2,4 | 30 AWG | 3.00 +/- 0.05 meters |
| 8G26-8A-CB1-00-4.00 | 4,6 -2,4 | 28 AWG | 4.00 +/- 0.06 meters |
| 8G26-8A-CB1-00-5.00 | 4,6 -2,4 | 28 AWG | 5.00 +/- 0.08 meters |



MARK AND KEY COMBINATION

| | | | | | | |
|---|---------------------------------------|---|-----|----------------------------|------|-----------|
| DESIGN REFERENCE | NEXT ASSEMBLY | REV | ECO | ISSUE DATE AND DESCRIPTION | DRFT | CHKD |
| | | RAO VITTAPALLI | | JUN 16, 2011 | | |
| | | MARK LETTANG | | SEP 07, 2011 | | |
| DIVISION | DIVISION CODE | © 3M COPYR[IGHT] 2011 This document and the information it contains are 3M property and may not be reproduced or further distributed without 3M permission, or used or disclosed other than for 3M authorized purposes. All rights reserved. | | | | |
| DO NOT SCALE DRAWING | SCALE 1/1 | TOLERANCES EXCEPT AS NOTED INCHES .00 ± .000 ± .0000 ± | | | | |
| THIRD ANGLE PROJECTION | | MILLIMETERS 0 ±.1 .0 ±.25 .000 ±.050 | | | | |
| MAX SURFACE ROUGHNESS 125 | <input type="checkbox"/> ALL SURFACES | INTERPRET PER ASME Y14.5 - 1994 | | | | |
| <input checked="" type="checkbox"/> MARKED ONLY | | ANGLES ±1° | | | | |
| TITLE 3M EXTERNAL MINISAS TWINAX CABLE ASSY CUSTOMER DRAWING | | CAGE NUMBER D78-5100-4815-0 | | DRAWING NO. B | | REV. B |
| MODEL SHT 2 OF 2 | | DET. [] YES [X] NO | | | | |