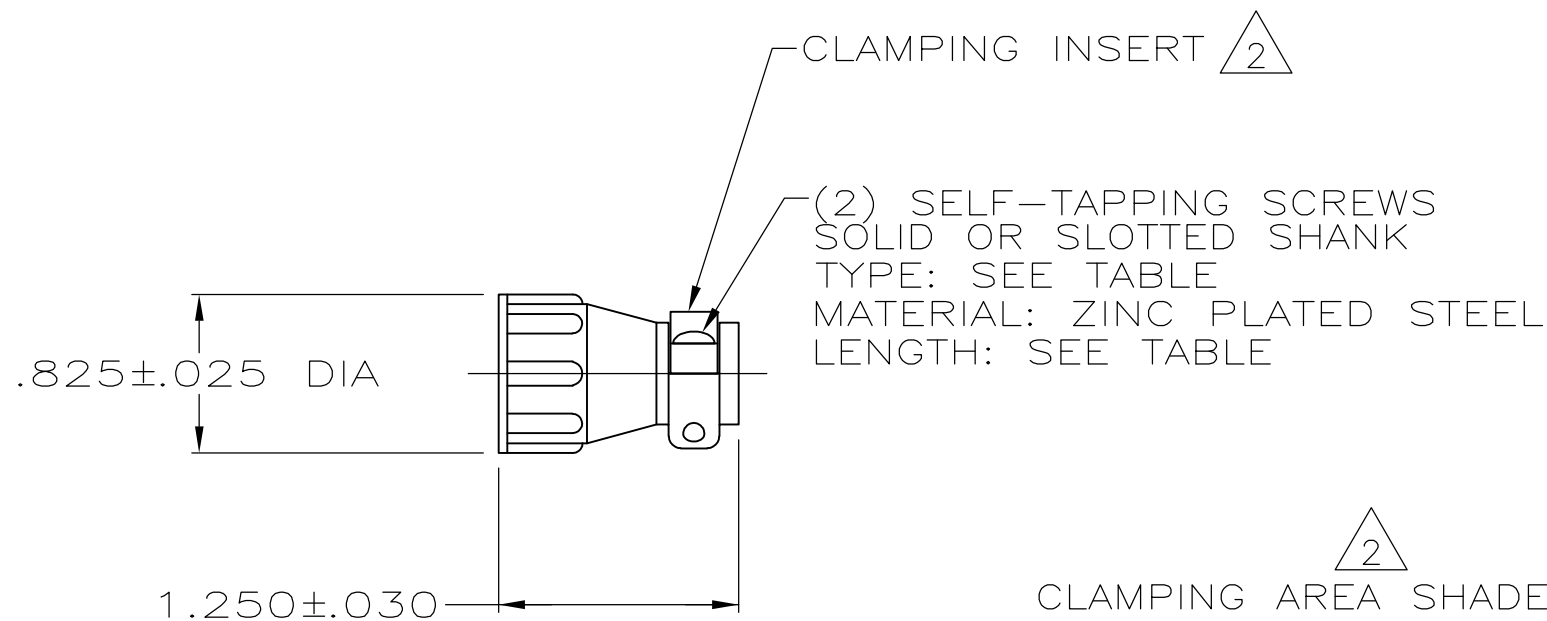


THIS DRAWING IS UNPUBLISHED. RELEASED FOR PUBLICATION
© COPYRIGHT BY TYCO ELECTRONICS CORPORATION. ALL INTERNATIONAL RIGHTS RESERVED.

LOC	DIST	REVISIONS					
		P	LTR	DESCRIPTION	DATE	DWN	APVD
-	-						
			U3	REVISED PER ECO-10-012730	20SEP10	HMR	MG



- 1 PARTS PACKAGED UNASSEMBLED.
- 2 CABLE CLAMPING AREA ADJUSTABLE FROM .004 TO .055 SQ IN BY REVERSING CLAMPING INSERTS.
- 3 .329 MAXIMUM CABLE OUTSIDE DIAMETER.
- 4 BULK PACKAGED KITS TO BE ORDERED IN MULTIPLES OF 400 ONLY.
- 5 OBSOLETE PART NUMBER.
- 6 STAINLESS STEEL (NON MAGNATIC).
- 7 CABLE CLAMP WITH NON-MAGNETIC STAINLESS STEEL SCREWS.
- 8 ZINC PLATED STEEL, NON-HEXAVALENT CHROMATE.
- 9 OBSOLETE PARTS: OBSOLETE CIS STREAMLINING PER D.RENAUD/D.SINISI

	BULK		.50 ^{±.00} _{-.05}	#5-20	1-206062-7
	INDIVIDUAL		.38 ^{±.00} _{-.05}	#5-20	1-206062-6
	BULK		.38 ^{±.00} _{-.05}	#5-20	1-206062-5
	INDIVIDUAL		.50 ^{±.00} _{-.05}	#5-20	1-206062-4
	INDIVIDUAL		.62 ^{±.00} _{-.05}	#5-20	1-206062-3
	INDIVIDUAL		.50 ^{±.00} _{-.05}	#5-20	1-206062-2
	SUPERSEDED BY 1-206062-3				
	OBSOLETE				
	INDIVIDUAL		12mm ^{±.0} _{-.8}	3mm-20	
	INDIVIDUAL		10mm ^{±.0} _{-.8}	3mm-20	
		BULK		#5-20	206062-4
	INDIVIDUAL			#5-20	206062-3
		BULK		#5-20	206062-2
	INDIVIDUAL			#5-20	206062-1
	PACKAGING	SCREW FINISH	SCREW LENGTH	SCREW TYPE	PART NUMBER

THIS DRAWING IS A CONTROLLED DOCUMENT.		DWN A GRAFF 4/29/91	Tyco Electronics Corporation Harrisburg, PA 17105-3608		
DIMENSIONS: INCHES		CHK W.G.LENKER 7-22-92			
TOLERANCES UNLESS OTHERWISE SPECIFIED:		APVD -	NAME CABLE CLAMP KIT, STANDARD, SHELL SIZE 11, CPC		
0 PLC ± - 1 PLC ± - 2 PLC ± - 3 PLC ± - 4 PLC ± - ANGLES ± -		PRODUCT SPEC -	APPLICATION SPEC -		
MATERIAL THERMOPLASTIC	FINISH -	WEIGHT -	SIZE A3	CAGE CODE 00779	DRAWING NO C-206062
CUSTOMER DRAWING			RESTRICTED TO -	SCALE NTS	SHEET 1 OF 1
			REV U3		