

All dimensions are in mm; tolerances according to ISO 2768 m-H

Interface

According to

SMA IEC 169-15
15K101-40M

Material and plating

Connector parts

Center contact
Outer contact
Outer contact
Inner spring
Insulator

Material

Beryllium copper
Brass
Brass
Stainless steel
PTFE

Plating

Gold, min. 0.8 µm, over chemical nickel
Gold, min. 0.8 µm, over chemical nickel
Gold, min. 0.8 µm, over chemical nickel

Coupling nut
Outer spring

Brass
Stainless steel

Gold, min. 0.15 µm, over chemical nickel

Electrical data

Impedance	50 Ω
Frequency	DC to 6 GHz
Return loss	≤ -28 dB, DC to 2 GHz ≤ -25 dB, 2 to 4 GHz ≤ -21 dB, 4 to 6 GHz
Insulation resistance	≥ 0.5 x10 ³ MΩ
Center contact resistance	≤ 50 mΩ
Outer contact resistance	≤ 50 mΩ
Working voltage	4 V

Mechanical data

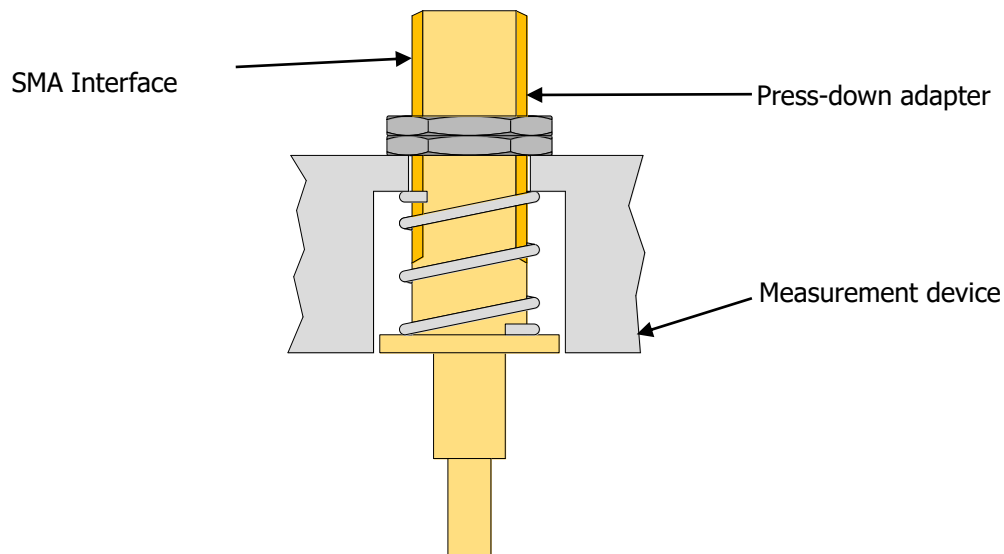
Mating form	Slide-on
Mating cycles	> 200,000
Mating force	≤ 4 N
Unmating force	≥ 2 N

Environmental data

Temperature range	-40°C to +90°C
RoHS	compliant

Installation

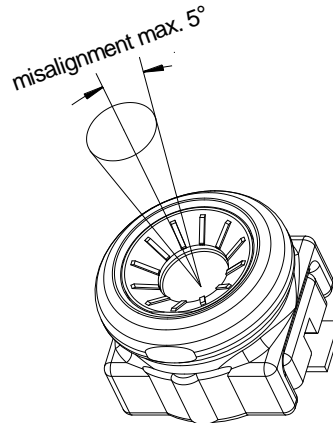
Recommendation for the installation



Mating and un-mating

For the reliable mating and un-mating follow the precautions :

1. The vertical mating axis of the PCB receptacle and the adapter has to be aligned during the connecting and a hearable click will confirm that the connectors are mated correctly.
2. The disconnection of the 2 connectors is carried out by vertical pulling of the adapter.
3. The connectors should not be mated under an extreme angle.
4. The mating force should be in the limits $5\text{ N} \leq F \leq 10\text{ N}$



Packing

Standard

1 pcs in plastic bag

While the information has been carefully compiled to the best of our knowledge, nothing is intended as representation or warranty on our part and no statement herein shall be construed as recommendation to infringe existing patents. In the effort to improve our products, we reserve the right to make changes judged to be necessary.

Draft	Date	Approved	Date	Rev.	Engineering change number	Name	Date
Michelmann Folke	17.01.06	C. Kainzmaier	07.06.18	f00	18-0940	M. Margardt	07.06.18

Rosenberger Hochfrequenztechnik GmbH & Co. KG P.O.Box 1260 D-84526 Tittmoning Germany www.rosenberger.de	Tel. : +49 8684 18-0 Email : info@rosenberger.de	Page 3 / 3
--	--	---------------