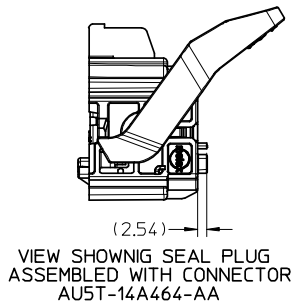


DETAIL 4
SCALE 5:1
INSTALL SEAL PLUG INTO
CONNECTOR ASSEMBLY
AS SHOWN PER NOTE 4



UNLESS OTHERWISE SPECIFIED:

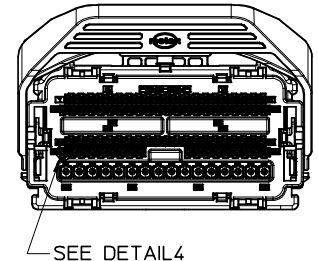
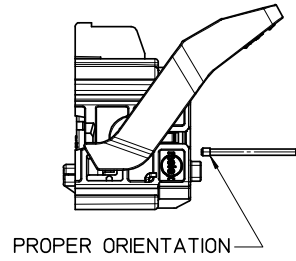
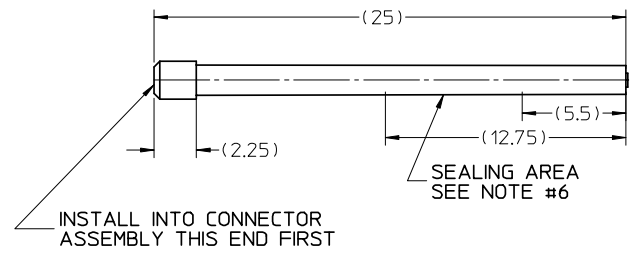
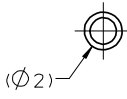
1. MATERIAL: POLYESTER (PBT), GLASS FILLED 30%.
2. MEETS USCAR-2, REV 4 SPECIFICATION
3. MATES WITH 0.64mm "GET" RECEPTACLE TERMINAL CAVITIES
4. SEAL PLUG WILL LOCK INTO HOUSING LOCKING FINGER WHEN INSTALLED IN PROPER ORIENTATION. USE PUSH, CLICK, PULL METHOD FOR INSTALLATION.
5. TOLERANCES: LINEAR ± 0.1 ^o
ANGULAR ± 3 ^o
6. SEALING SURFACE: NO WITNESS LINES OR IMPERFECTIONS PERMITTED IN THIS AREA.
7. 100% MAXIMUM REGRIND ALLOWED.

FORD P/N	MOLEX P/N
7U5T-10C930-FA	34676-0001

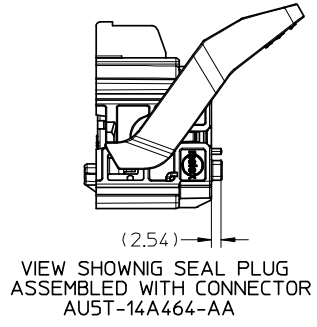
LTRS.	REVISIONS		
ORIGINATOR	CHECKER	ENGR APP	MATL APP
A	RELEASED 7U5T-10C930-FA ARCHIVE DATE: 20061117 AELE-E-11776560-105		
KDEKOSKI	RBAUMAN	LEECE	
B	REMOVED TOLERANCE ARCHIVE DATE: 20080516 AELE-E-11776560-204		
CELDER	KDEKOSKI	LEECE	

REFERENCE ---			
PART MUST COMPLY WITH MATERIAL SPECIFICATION WSS-M99P9999-A1 TO HELP SAFEGUARD HEALTH, SAFETY AND THE ENVIRONMENT.			
DRAFTED IN ACCORDANCE WITH FAO ENGINEERING DRAFTING STANDARD CURRENT AT INITIAL RELEASE		3RD ANGLE PROJ DIMENSIONS IN MILLIMETERS	
CAD TYPE X-OTHER	CAD LOC. MOLEX	CAD FILE	IS MASTER
OPER. NO.	UNIT MM	DRAWING 7U5T-10C930-FA	
DESIGN CELDER	DETAIL KDEKOSKI	TITLE LOOSE PIECE PLUG 064 CAVITY	SHT 1 OF 1
CHECKED DLANGOLF	SAFETY		
SCALE 5:1	DATE 2008/05/19	DIVISION PLANT	

DRW SIZE A2/C



DETAIL 4
SCALE 5:1
INSTALL SEAL PLUG INTO
CONNECTOR ASSEMBLY
AS SHOWN PER NOTE 4



VIEW SHOWING SEAL PLUG
ASSEMBLED WITH CONNECTOR
AU5T-14A464-AA

UNLESS OTHERWISE SPECIFIED:

1. MATERIAL: POLYESTER (PBT), GLASS FILLED 30%.
2. MEETS USCAR-2, REV 4 SPECIFICATION
3. MATES WITH 0.64mm "GET" RECEPTACLE TERMINAL CAVITIES
4. SEAL PLUG WILL LOCK INTO HOUSING LOCKING FINGER WHEN INSTALLED IN PROPER ORIENTATION. USE PUSH, CLICK, PULL METHOD FOR INSTALLATION.
5. TOLERANCES: LINEAR ± 0.1
ANGULAR $\pm 3^\circ$
6. SEALING SURFACE: NO WITNESS LINES OR IMPERFECTIONS PERMITTED IN THIS AREA.
7. 100% MAXIMUM REGRIND ALLOWED.

MOLEX P/N
34676-0001

ENTER DESCRIPTION EC NO: UAU2008-0652 DRWN:DEKOSKI 2008/04/09 CHKD:D.LANGOLF 2008/04/09 APPR:RBAUMAN 2008/04/09	QUALITY SYMBOLS
	▼=0 ▽=0
	DESCRIPTION
	REV
	A

GENERAL TOLERANCES (UNLESS SPECIFIED)	
mm	INCH
4 PLACES ± ---	+ ---
3 PLACES ± ---	+ ---
2 PLACES ± ---	+ ---
1 PLACE ± ---	+ ---
ANGULAR ± ---°	
DRAFT WHERE APPLICABLE MUST REMAIN WITHIN DIMENSIONS	

DIMENSION STYLE MM ONLY	
DRAWN BY	DATE
K.DEKOSKI	17NOV2006
CHECKED BY	DATE
D.LANGOLF	17NOV2006
APPROVED BY	DATE
R.BAUMAN	17NOV2006
MATERIAL NO.	
346760001	

SCALE 5:1	DESIGN UNITS METRIC	THIRD ANGLE PROJECTION
TITLE LOOSE PIECE PLUG 064 CAVITY		
MOLEX INCORPORATED		SHEET NO. 1 OF 1
DOCUMENT NO. SD-34676-000		
THIS DRAWING CONTAINS INFORMATION THAT IS PROPRIETARY TO MOLEX INCORPORATED AND SHOULD NOT BE USED WITHOUT WRITTEN PERMISSION		