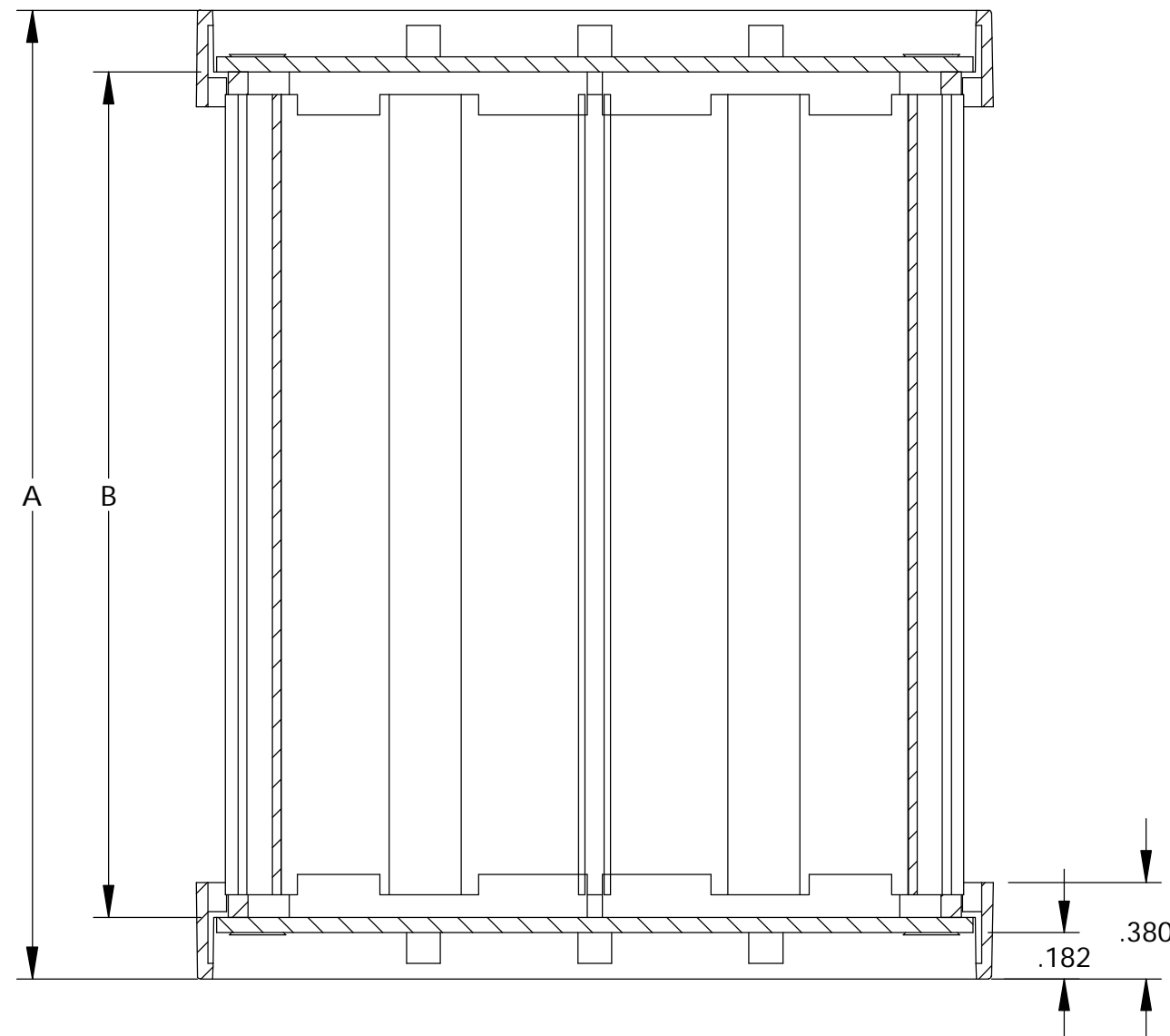
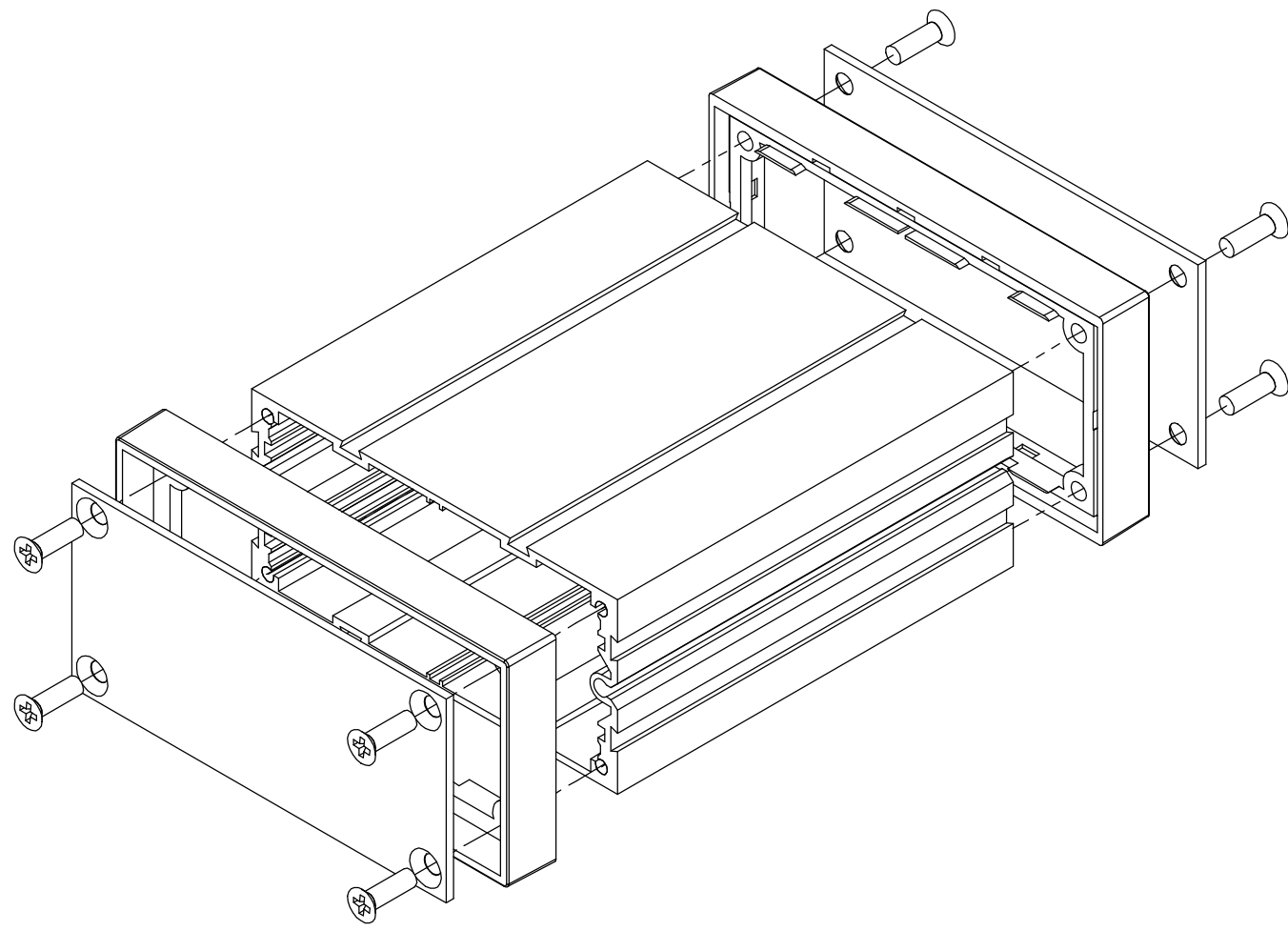


PART NAME

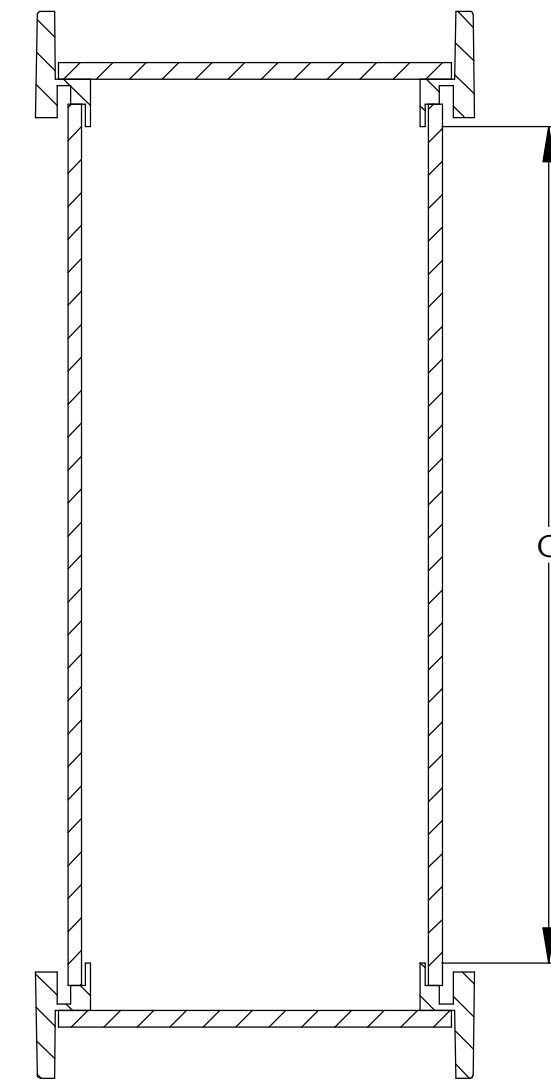
EXTRUDED ALUMINUM BOX

PART No.

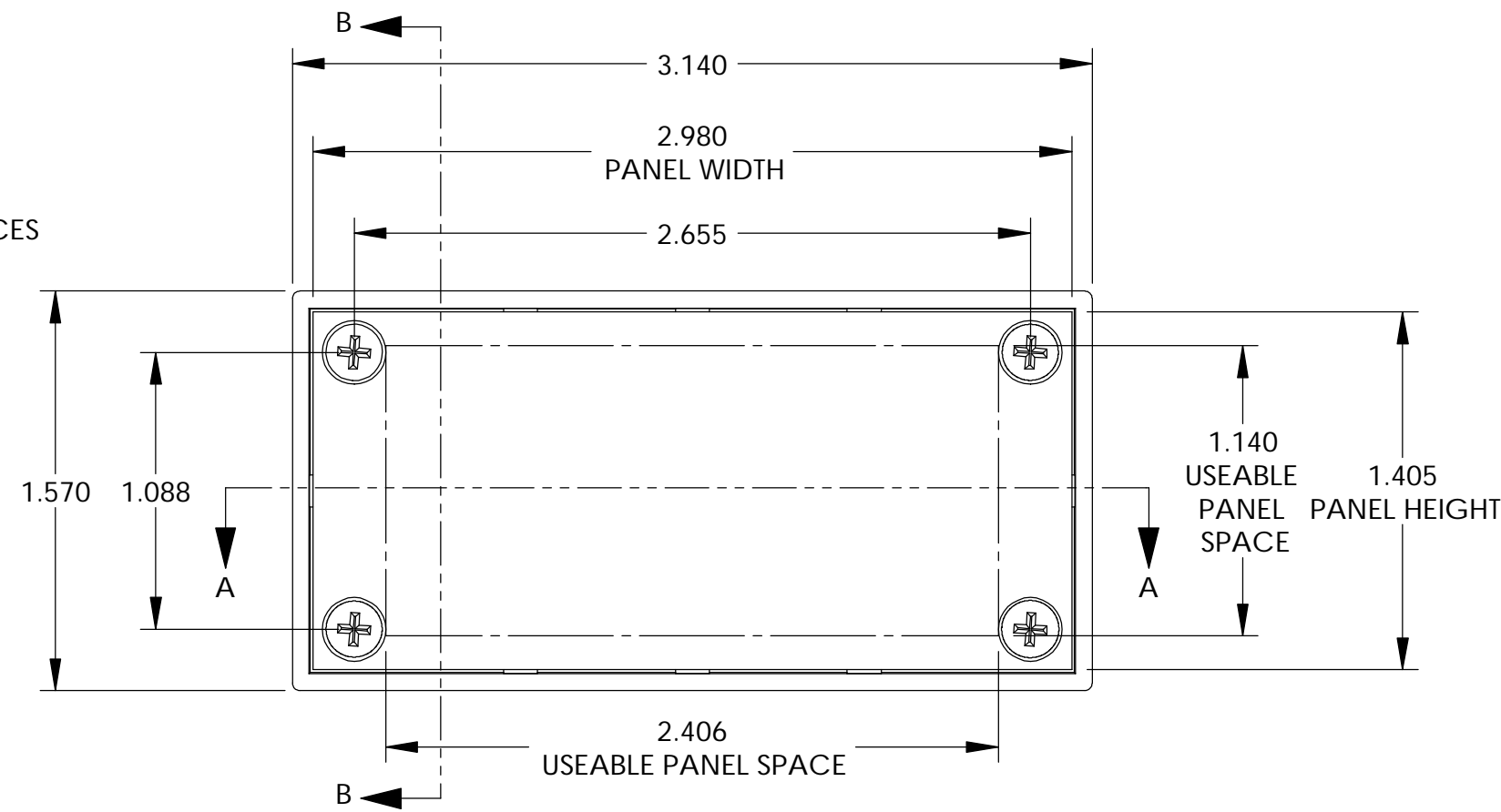
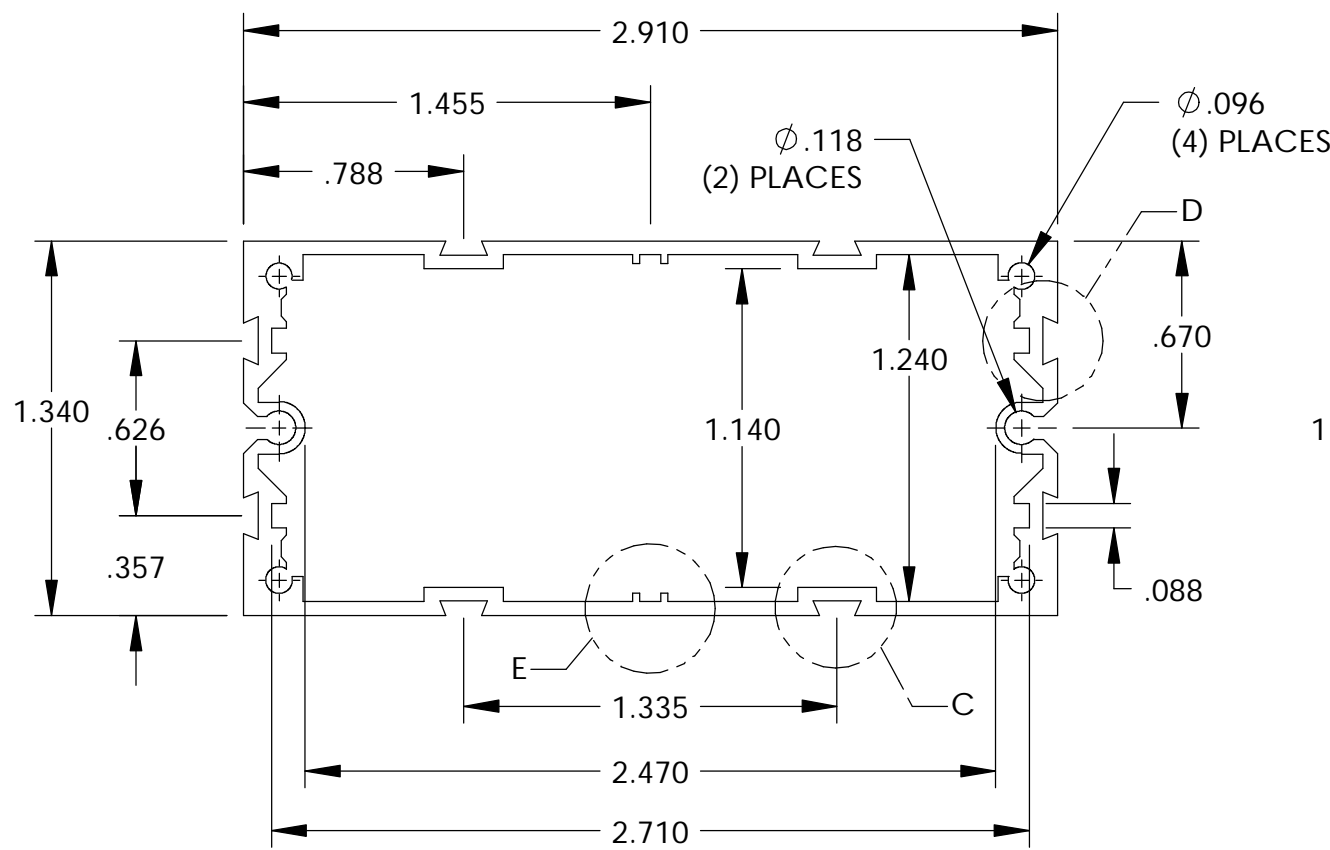
EX-4500 & EX-4501 & EX-4502



SECTION A-A



SECTION B-B

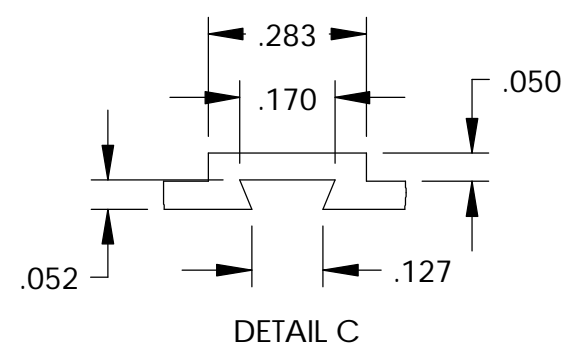


MATERIAL:
 BODY - ALUMINUM
 BEZEL - UL94V-0 ABS
 PANEL - .060 THK. ALUMINUM

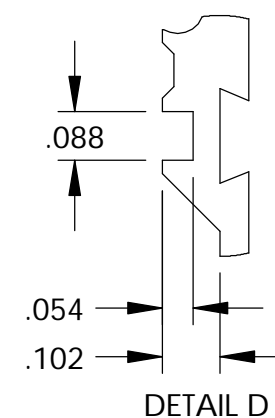
FINISH:
 BODY - SILVER COATING
 BEZEL - BLACK
 PANEL - NATURAL

EIGHT (8) M3 x 10mm FLAT HEAD SCREWS SUPPLIED TO ATTACH END PANELS AND BEZELS TO BODY (ALTERNATE SCREW #4 x 5/8 FLAT HEAD THREAD CUTTING SCREWS CAN BE SUBSTITUTED)
 RECOMMEND INSERTION TORQUE 6-8 in-lbs.

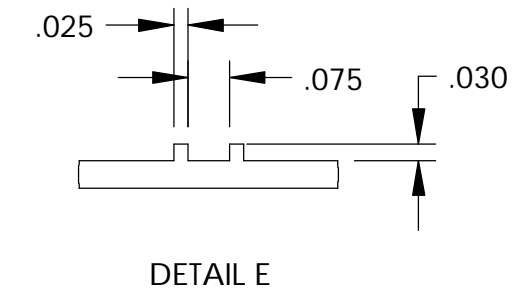
ALL DIMENSIONS HAVE ±.015 TOLERANCE UNLESS OTHERWISE SPECIFIED



DETAIL C



DETAIL D



DETAIL E

PART No.	EXTERNAL		INTERNAL CLEARANCE	
	A	B	C	
EX-4500	3.81	3.33	2.99	
EX-4501	5.38	4.90	4.56	
EX-4502	6.96	6.48	6.14	