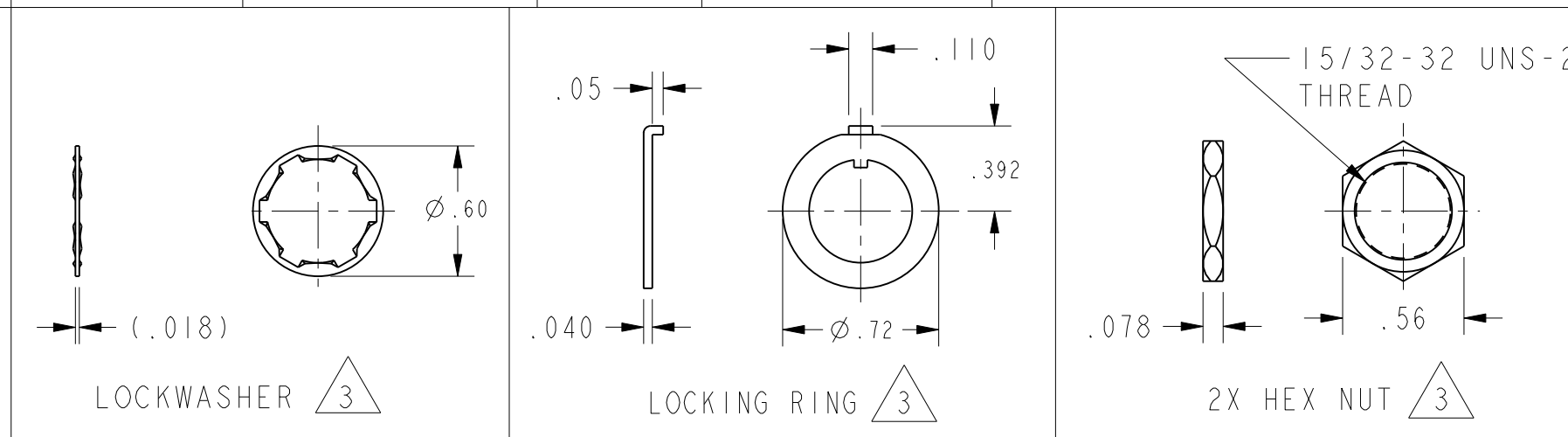
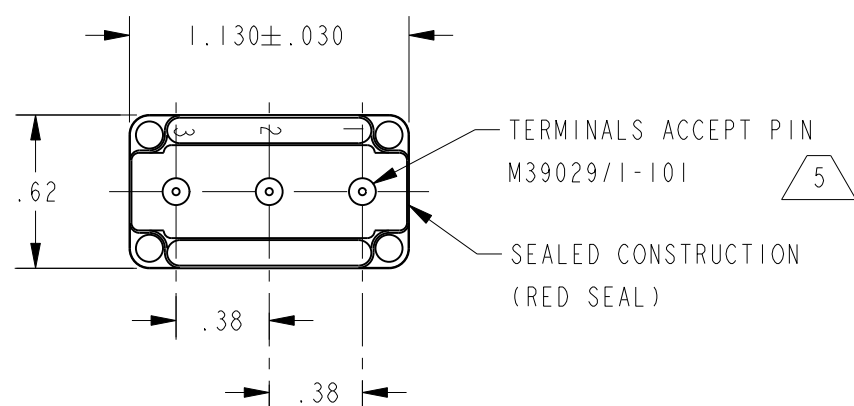
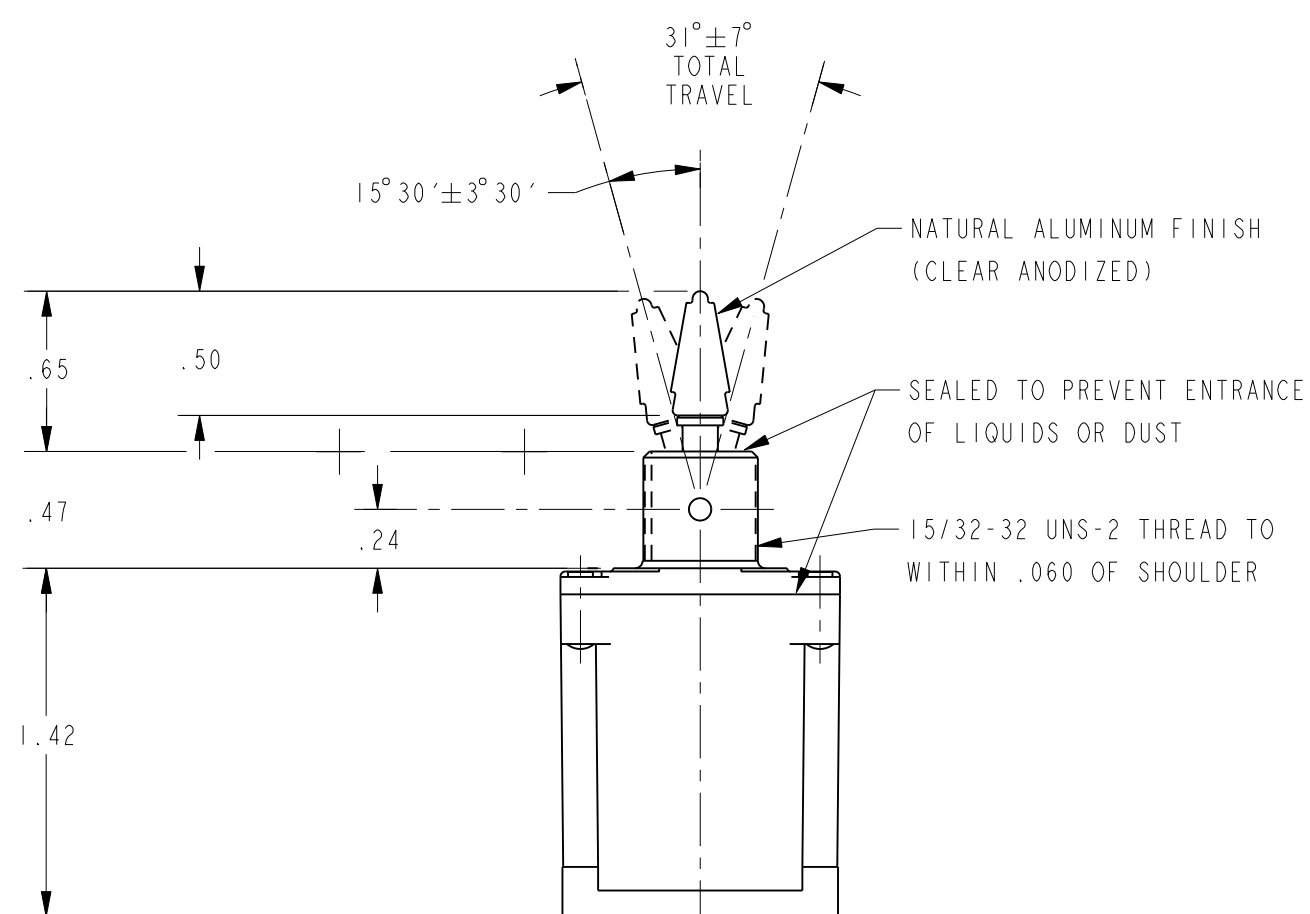
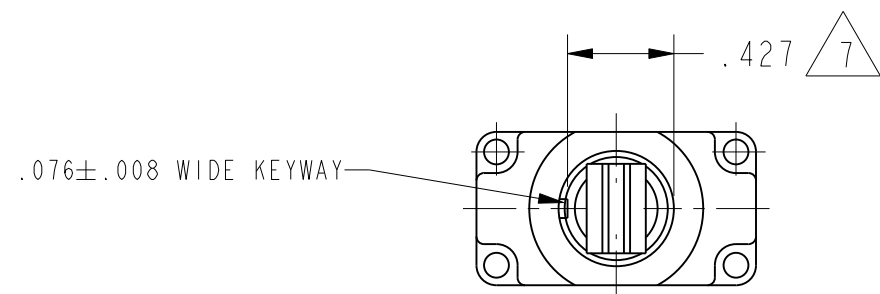


HONEYWELL  
PART NUMBER

101TL2841\_SERIES\_CHART 1

REV	DOCUMENT	CHANGED BY	CHECK
10	0008574	KR 21OCT04	AK

9	10	CATALOG LISTING	CIRCUIT MADE WITH TOGGLE LEVER IN 4			CURRENT CAPACITY (AMPS)
			EXTREME POSITION KEYWAY SIDE (1-2)	CENTER (1-2)	EXTREME POSITION OPPOSITE KEYWAY (2-3)	
		FAA-PMA 101TL2841-3	ON	NONE	ON	0.1A 28 VDC, 115 VAC
		101TL2841-21	NONE	OFF	ON	
		101TL2841-31	NONE	ON	ON	
		101TL2841-4	MOM OFF	NONE	ON	0.1A 28 VDC, 115 VAC
		101TL2841-5	MOM ON	OFF	ON	
		101TL2841-6	MOM ON	NONE	OFF	
		FAA-PMA 101TL2841-7	MOM ON	OFF	MOM ON	
		101TL2841-8	MOM ON	NONE	ON	
		101TL2841-51	NONE	ON	MOM ON	
		101TL2841-61	MOM ON	OFF	NONE	



- NOTES:
- SWITCHES ARE CAPABLE OF WITHSTANDING A TEMPERATURE OF 160°F. CONTINUOUSLY AT FULL RATED LOAD.
  - CIRCUIT DESIGNATION, MICRO SWITCH CAT. LIST. MARKED ON SIDE OF SWITCH
  - FURNISHED UNASSEMBLED
  - APPLIES ONLY TO "ON" AND "MOM ON" POSITIONS
  - THE SEALING GROMMET SHALL SEAL ON A SMOOTH WIRE INSULATION OF Ø .040 TO Ø .083 (16-20 GAGE)
  - UNUSED TERMINAL HOLES MAY BE SEALED WITH PLUGS M83723/28-20
  - FROM BOTTOM OF KEYWAY TO MAJOR Ø OF 15/32 THRED
  - GOLD PLATED CONTACTS
  - FAA-PMA MUST BE MARKED ON SWITCH
  - FOR MANUFACTURING DETAIL SEE THE CORRESPONDING ASSEMBLY DRAWING FOR EACH LISTING FOR FAA-PMA.
- 11- WEIGHT: .08 LB MAX

DESIGN UNITS: INCH TOLERANCES UNLESS NOTED:	DRAWN TSM 16NOV01 CHECK SAV 16NOV01	<b>Honeywell</b>			
NO PLACE X ± 0.400 ONE PLACE .X ± 0.030 TWO PLACE .XX ± 0.015 THREE PLACE .XXX ± 0.005 FOUR PLACE .XXXX ± 0.0005 ANGLES X ± 3	THIS DRAWING COVERS A PROPRIETARY ITEM AND IS THE PROPERTY OF HONEYWELL. THIS DRAWING IS NOT TO BE COPIED OR USED WITHOUT THE PERMISSION OF HONEYWELL.				TITLE SWITCH - TOGGLE
THIRD ANGLE PROJECTION	INTERPRET PER ASME Y14.5M-1994 OTHER HONEYWELL ENGINEERING STANDARDS MAY APPLY	SIZE C	TYPE I	DRAWING NAME 101TL2841_SERIES_CHART 1	REV 10
	Pro/ENGINEER 2D	SCALE 1:1	SHEET 1 OF 1		