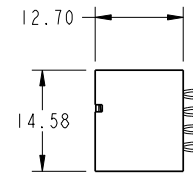
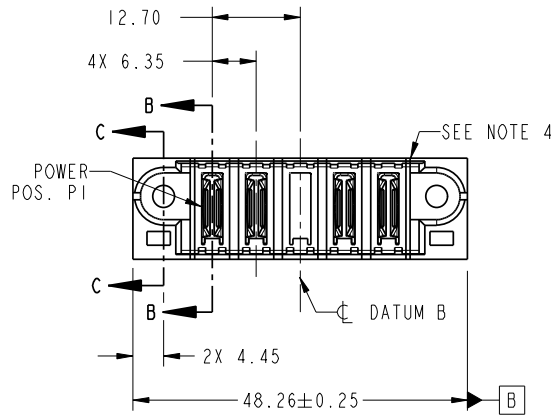


Tous droits strictement réservés. Reproduction ou communication o des liens interdite sous quelque forme que ce soit sans autorisation écrite du propriétaire. Propriete de c FCI. Droits de reproduction FCI.



All rights strictly reserved. Reproduction or issue to third parties in any form whatever is not permitted without written authority from the proprietor. Property of FCI. Copyright FCI.

PRODUCT NO.	POWER						E2
	E1	P1	P2	P3	P4	P5	
51713-002-- NOTE③							



CODE	DIM "M" MATING LENGTH	CONTACT TYPE
PC	[N/A]	POWER
X	OMITTED	OMITTED

mat'l code				tolerances unless otherwise specified		CUSTOMER		FCI	
lfr	ecn no.	dr	date	linear	0.X ±0.5	COPY		www.fciconnect.com	
A	DG10-0432	HZ	12/02/10	linear	0.XX ±0.25	projection	title		
				angles	0.XXX ±0.1		5P		
				dr	0° ±2°	MM	VERTICAL PRESS-FIT HEADER		
				engr		scale	product family	PwrBlade	code
				chr		1:1	size	dwg no	213
				appd			A	51713-002	sheet
sheet index	revision sheet	A	A	A	A				1 of 4
		1	2	3	4				

cage code 22526

Pro/E

PDM: Rev:A

STATUS: Released

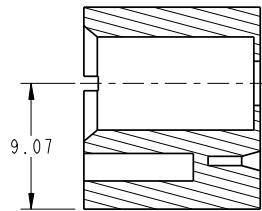
Printed: Dec 22, 2010

Tous droits strictement réservés. Reproduction ou communication o des liens interdite sous quelque forme que ce soit sans autorisation écrite du propriétaire. Propriete de c FCI. Droits de reproduction FCI.

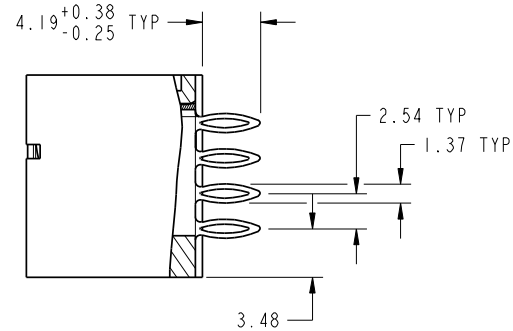
All rights strictly reserved. Reproduction or issue to third parties in any form whatever is not permitted without written authority from the proprietor. Property of FCI. Copyright FCI.



PRODUCT NUMBER
51713-002__
NOTE 3



SECTION C-C
SCALE 2:1



SECTION B-B
SCALE 2:1

mat'l code				tolerances unless otherwise specified		CUSTOMER		FCI		www.fciconnect.com	
lfr	ecn no.	dr	date	linear	0.X ±0.5	COPY		projection		title	
A					0.XX ±0.25	⊕		5P		VERTICAL PRESS-FIT HEADER	
				angles	0.XXX ±0.1	MM		product family		PwrBlade	
				dr	0° ±2°	1:1		size		213	
				engr				A		51713-002	
				chr				scale		2 of 4	
				appd							
sheet index	revision sheet										

Pro/E

cage code 22526

PDM: Rev:A

STATUS: Released

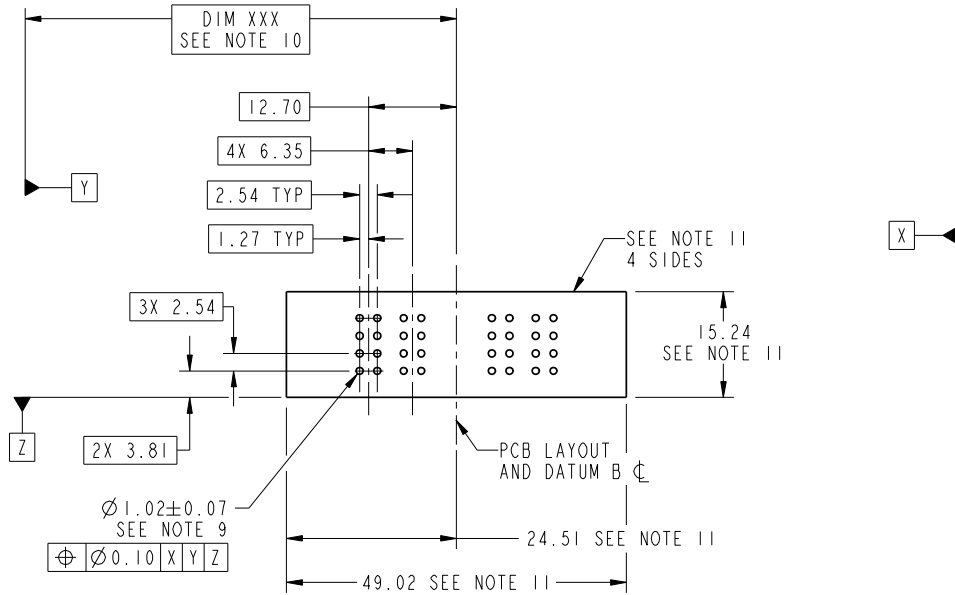
Printed: Dec 22, 2010

Tous droits strictement réservés. Reproduction ou communication o des liens interdite sous quelque forme que ce soit sans autorisation écrite du propriétaire. Propriete de c FCI. Droits de reproduction FCI.



All rights strictly reserved. Reproduction or issue to third parties in any form whatever is not permitted without written authority from the proprietor. Property of FCI. Copyright FCI.

PRODUCT NUMBER
51713-002__
NOTE 3



RECOMMENDED PCB LAYOUT

mat'l code				tolerances unless otherwise specified		CUSTOMER		FCI	
lfr	ecn no.	dr	date	linear	0.X ± 0.5	COPY		www.fciconnect.com	
A				linear	0.XX ± 0.25	projection	title		
				angles	0.XXX ± 0.1		5P		
				dr	0° ± 2°	MM	VERTICAL PRESS-FIT HEADER		
				engr	Helen Zhang 12/02/10	scale	product family	PwrBlade	code
				chr	Jerome Chen 12/14/20	1:1	size	dwg no	213
				appd	PM ZHENG 12/02/10		A	51713-002	sheet
sheet index	revision sheet								3 of 4



www.fciconnect.com

MM

1:1

product family PwrBlade code

size dwg no 213

A 51713-002 sheet 3 of 4

Pro/E

cage code 22526

PDM: Rev:A

STATUS: Released

Printed: Dec 22, 2010

Tous droits strictement réservés. Reproduction ou communication o des liens interdite sous quelque forme que ce soit sans autorisation écrite du propriétaire. Propriete de c FCI. Droits de reproduction FCI.



All rights strictly reserved. Reproduction or issue to third parties in any form whatever is not permitted without written authority from the proprietor. Property of FCI. Copyright FCI.

PRODUCT NUMBER
51713-002..
NOTE 3

NOTES:

1. DIMENSIONS AND TOLERANCES ARE IN ACCORDANCE WITH ASME Y14.5M, 1994 UNLESS OTHERWISE SPECIFIED.
- CONNECTOR NOTES:
- 2 HOUSING MATERIAL: UL 94 V-0 GLASS FILLED HIGH-TEMP THERMOPLASTIC
POWER CONTACT MATERIAL: COPPER ALLOY
SIGNAL PIN MATERIAL: COPPER ALLOY
3. SEE ITEM 3 & 4 IN PRINT 10064183 FOR PLATING SPEC OF 51713-002 AND 51713-002LF RESPECTIVELY.
- 4 MANUFACTURER'S NAME, DATE CODE AND OPTIONAL P/N TO APPEAR ON THIS SURFACE. THE P/N CAN BE OMITTED IF THERE IS NOT ENOUGH SPACE ON THIS SURFACE.
5. PRODUCT SPECIFICATION GS-12-149.
APPLICATION SPECIFICATION BUS-20-067.
6. PACKAGED IN TRAYS.
- PCB NOTES:
7. ALL HOLE DIAMETERS ARE FINISHED HOLE SIZE.
8. MOUNTING HOLES, WHERE APPLICABLE, ARE UNPLATED.
- 9 $\varnothing 1.151 \pm 0.025$ DRILLED HOLES PLATED WITH
0.008 MIN SnPb OR Sn OVER .001 [0.03]
TO 0.08 Cu PLATING TO ACHIEVE
 $\varnothing 1.02 \pm 0.07$ HOLE.
- 10 "DIM XXX" TO BE DETERMINED BY THE CUSTOMER.
- 11 CONNECTOR KEEP-OUT ZONE.

mat'l code				tolerances unless otherwise specified		CUSTOMER		FCI		www.fciconnect.com	
lfr	ecn no.	dr	date	linear	0.X ± 0.5	COPY		projection		title	
A					0.XX ± 0.25	MM				5P VERTICAL PRESS-FIT HEADER	
				angles	0.XXX ± 0.1	scale		product family		code	
				dr	0° ± 2°	1:1		PwrBlade		213	
				engr	Helen Zhang 12/02/10	A		51713-002		sheet	
				chr	Jerome Chen 12/14/20					4 of 4	
				appd	PM ZHENG 12/02/10						
					JOSEPH HSIA 12/02/10						
sheet index	revision sheet										

cage code 22526 4

Pro/E

PDM: Rev:A

STATUS: Released

Printed: Dec 22, 2010