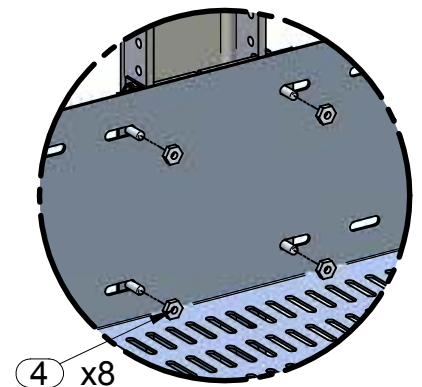


DETAIL A



DETAIL B

### ASSEMBLY INSTRUCTIONS:

- A) Attach 2 brackets (item #2) at desired height to each rail using the supplied hardware (item #5 or item #3). Do not tighten bolts completely until shelf is installed. (Detail A)
- B) Install shelf (item #1) to brackets using item #3 and item #4.
- C) Tighten all hardware

### PARTS LIST

ITEM No.	DESCRIPTION	QTY
1	SHELF	1
2	BRACKET	4
3	SCREW 10-32 x 1/2"	16
4	10-32 KEPS NUT	8
5	SCREW 12-24 x 5/8"	8

#### TOOL BOX



Phillips  
Screw Driver



Tape  
Measure



Open End  
Wrench

