

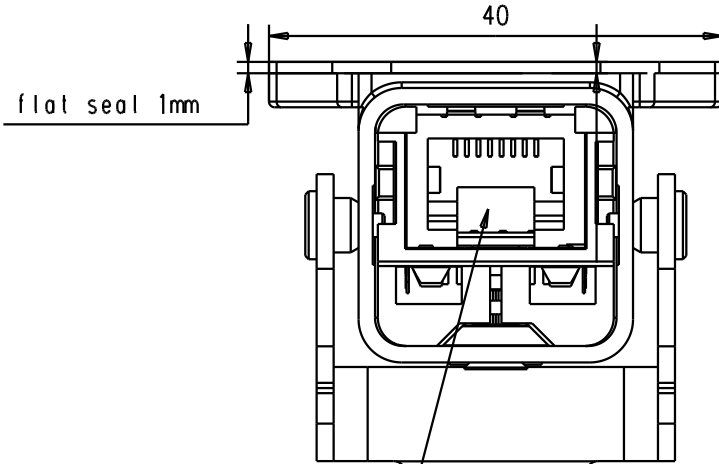
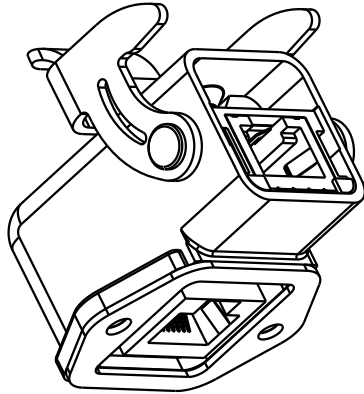
5

4

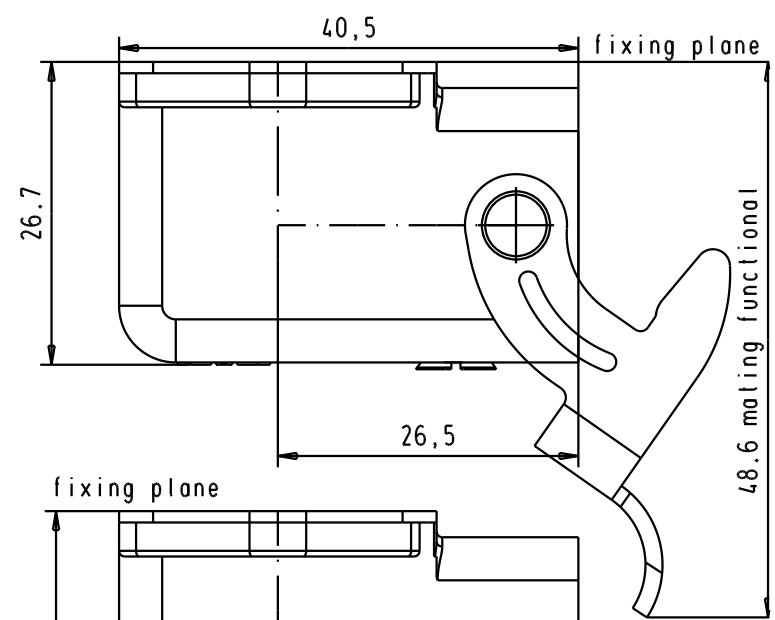
3

2

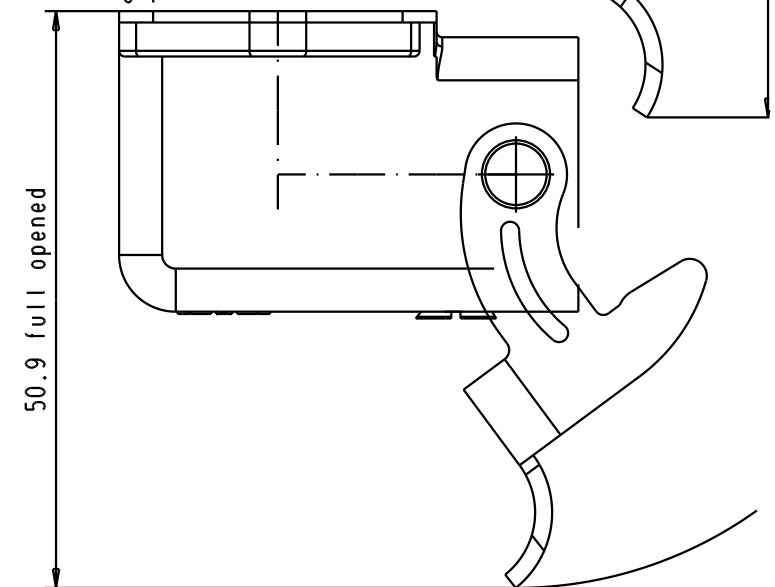
1



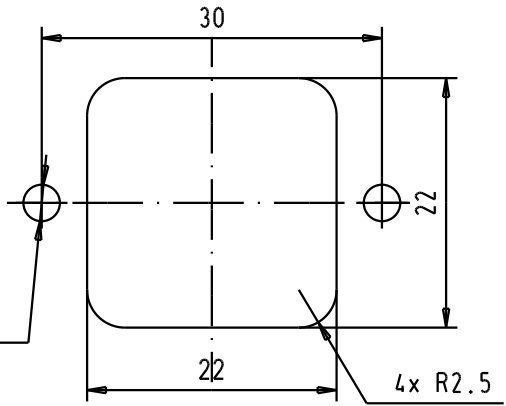
IEC 60603-7
SMC modular jack
12mm maxi. height
above PC-Board



48.6 mating functional





recommended panel
cutout dimensions



compatible with
IEC 61076-3-106 variant 05

Panel feed through pitch
on panel = 41mm

M3 or ø3.2

							<i>RJ-Industrial</i> Han3A-M panel feed through 90 angled metal version black	Maßstab/ Scale 1.5:1
			Detail.	01/08/05	AM			
			Insp.					
			Stand.					
33083	31/08/05	AM	HARTING EURL F-95972 Paris				TB 09 45 215 1109	Blatt/ Page 1 / 1
32980	01/08/05	AM						
Mod.	Dat.	Name						

All Dim. in mm
Orig. Size DIN A 4

Sub.