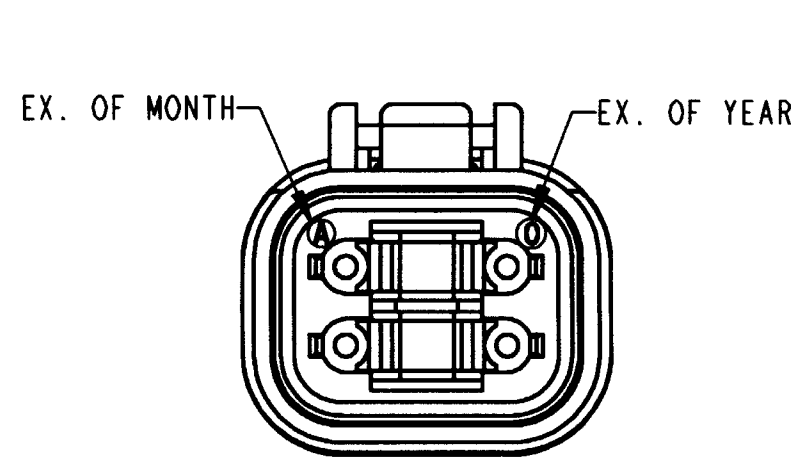
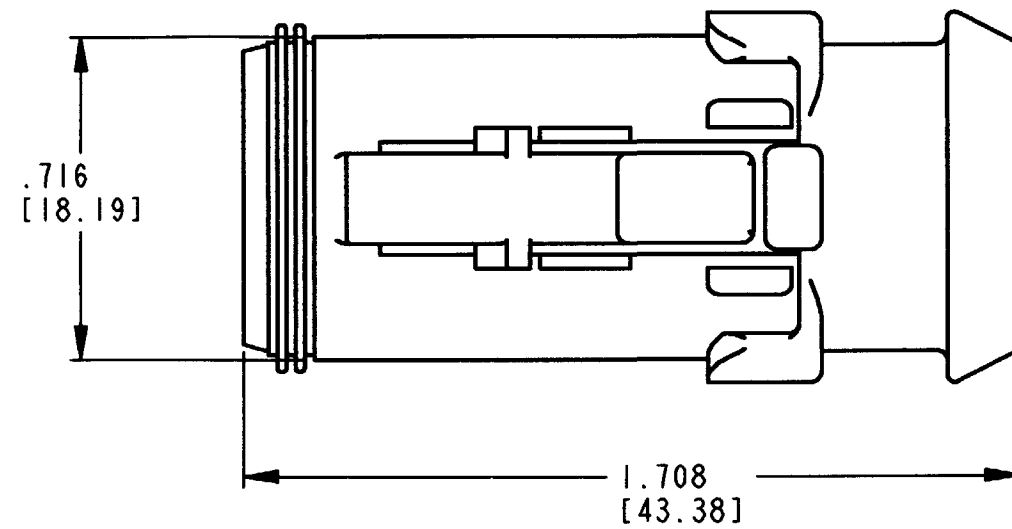


**3-DIMENSIONAL
VIEW**

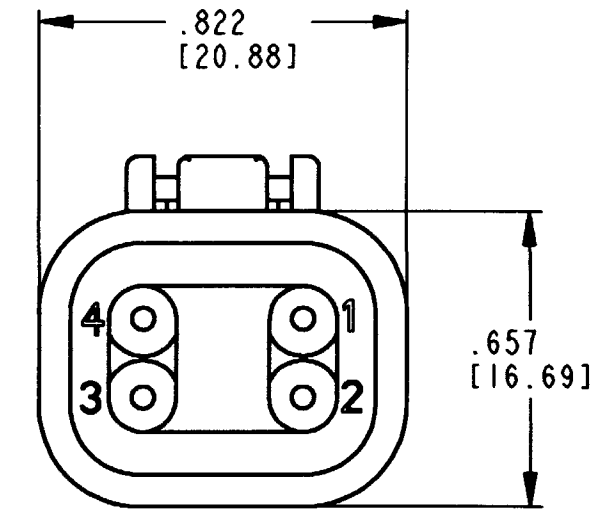
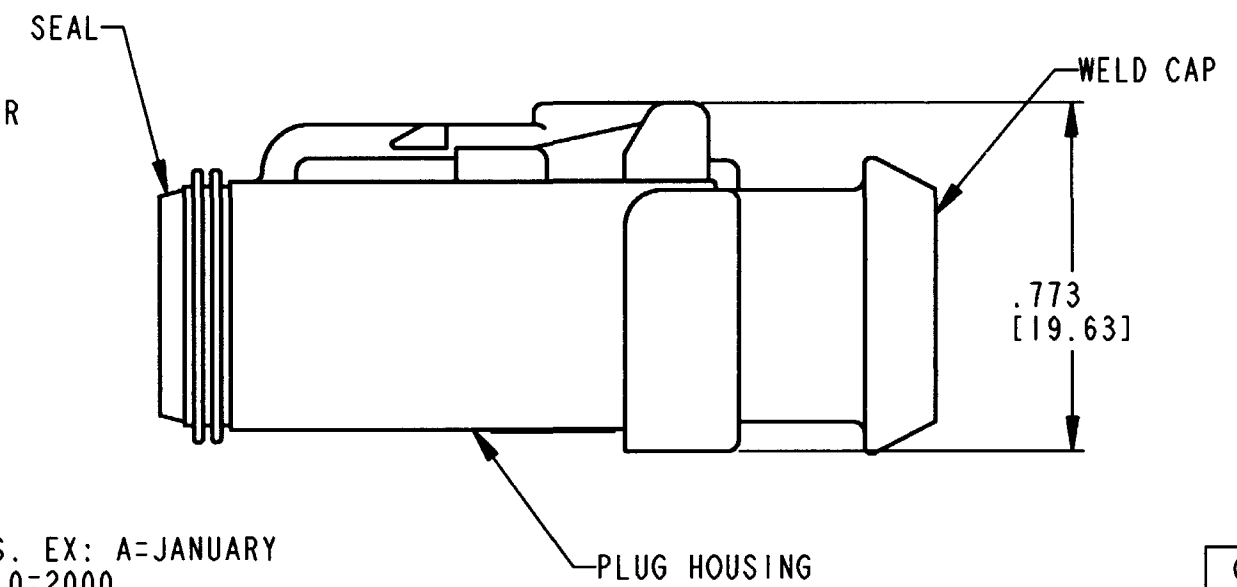
REV
NC **DT06-4S-EP11**

REVISIONS			
SYM	DESCRIPTION	DATE	APPROVED
NC	NEW RELEASE PER E.O. PI6605	4-14-00	RDR



DATE CODE LEGEND:

MONTH IS REPRESENTED BY SEQUENTIAL ALPHA CHARACTERS. EX: A=JANUARY
YEAR IS REPRESENTED BY THE LAST DIGIT. EX: 0=2000.



CONTACT SIZE	MIN. INSUL O.D.	MAX. INSUL O.D.	WIRE RANGE [mm ²]
16	.088 [2.23]	.145 [3.68]	14-20 AWG [2.0-0.5]

- NOTES:
- DIMENSIONS ARE IN INCHES [MILLIMETERS].
 - DIMENSIONS ARE ±.025[0.63] UNLESS OTHERWISE SPECIFIED.
 - FOR CONTACTS AND WIRE PERFORMANCE AND APPLICATION CHARACTERISTICS SEE ENVELOPE DRAWING 0425-015-0000 AND 0425-017-0000.
 - THIS PLUG MATES WITH DT04-4P-**** RECEPTACLE (**** = ALL MODIFICATIONS). CONSULT FACTORY FOR MODIFICATIONS.

SIGNATURE & DATE	
DR	S. THEIS 3/27/00
CHK	<i>S. Theis</i> 4-12-00
PE	<i>S. Theis</i> 4-10-00
APPD	<i>A. Kosch</i> 4-14-00
SCALE	NONE WT

4 WAY PLUG
SEAL RETENTION
W/ EXTENDED CAP
COLOR: BLACK
DT SERIES

ENVELOPE

CP	MATL. CODE
The Deutsch Company DEUTSCH I.P.D. 3850 INDUSTRIAL AVE. HEMET, CALIF. 92545	
B	DT06-4S-EP11
DWG SIZE	CODE 11139 SHEET 1 OF 1