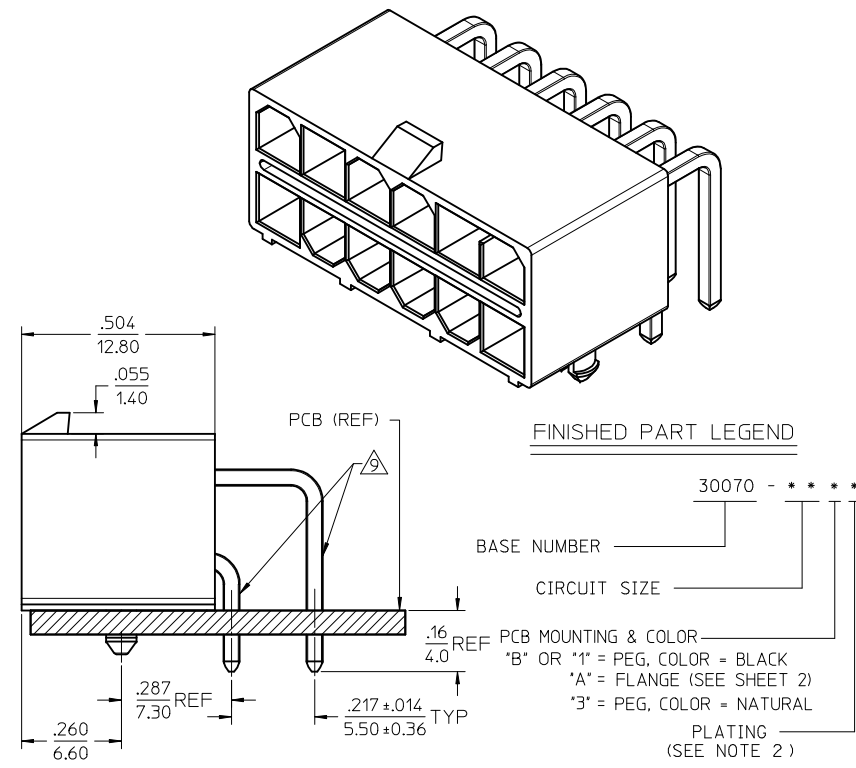
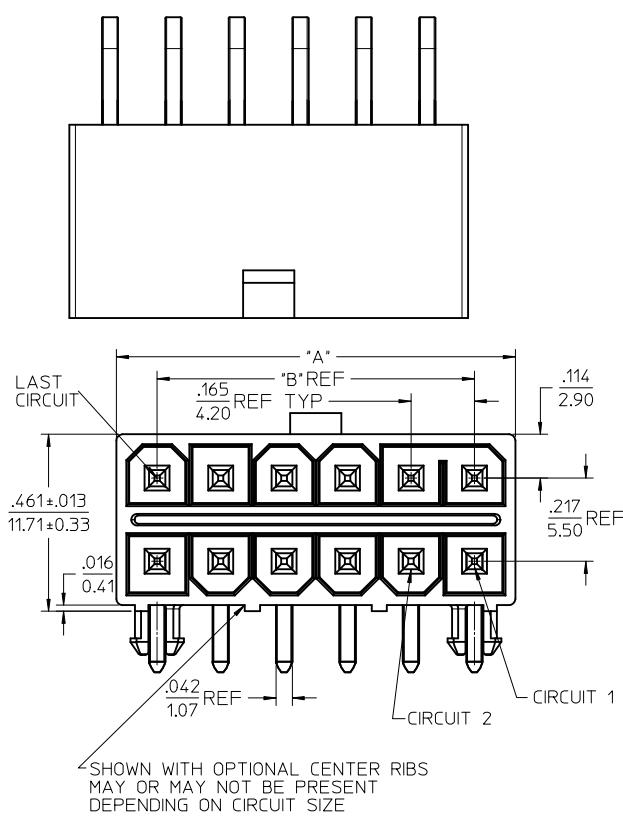


NATURAL HEADERS					
PART NUMBER	ENG NUMBER	CKT. SIZE	PLATING	DIM "A"	DIM "B"
30070-1232		12	GOLD	1.039	.827
30070-1235		12	TIN	(26.40)	(21.00)
30070-1032		10	GOLD	.874	.661
30070-1035		10	TIN	(22.20)	(16.80)
30070-0832		8	GOLD	.709	.496
30070-0835		8	TIN	(18.00)	(12.60)
30070-0632		6	GOLD	.543	.331
30070-0635		6	TIN	(13.80)	(8.40)
30070-0432		4	GOLD	.378	.165
30070-0435		4	TIN	(9.60)	(4.20)
30070-0232		2	GOLD	.213	
30070-0235		2	TIN	(5.40)	

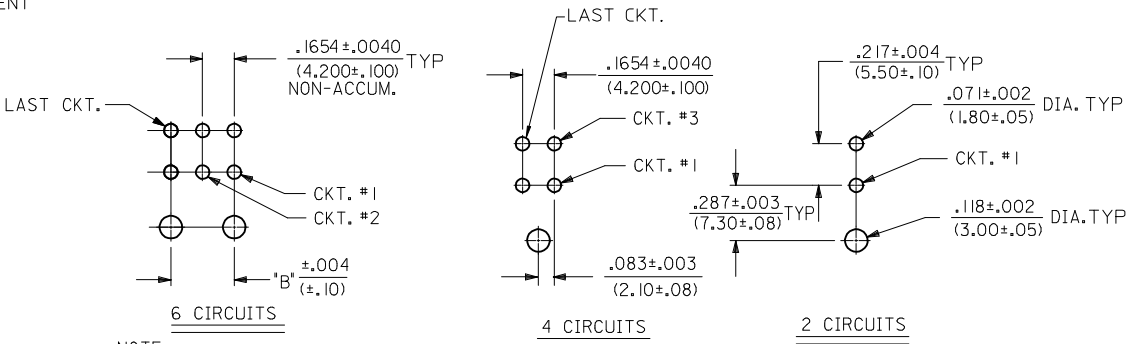
BLACK HEADERS					
PART NUMBER	ENG NUMBER	CKT. SIZE	PLATING	DIM "A"	DIM "B"
30070-1212		12	GOLD	1.039	.827
30070-1215		12	TIN	(26.40)	(21.00)
30070-1012		10	GOLD	.874	.661
30070-1015		10	TIN	(22.20)	(16.80)
30070-0812		8	GOLD	.709	.496
30070-0815		8	TIN	(18.00)	(12.60)
30070-0612		6	GOLD	.543	.331
30070-0615		6	TIN	(13.80)	(8.40)
15-97-8048	30070-04B1	4	GOLD	.378	.165
15-97-8043	30070-04B3	4	TIN	(9.60)	(4.20)
15-97-8028	30070-02B1	2	GOLD	.213	
15-97-8023	30070-02B3	2	TIN	(5.40)	

NOTES:

- MATERIAL: HOUSING: POLYESTER, UNFILLED, UL94 V-0, COLOR: SEE CHART  
TERMINALS: BRASS
- TERMINAL PLATING:  
3 OR 5-.000100/(0.00254) MIN, MATTE TIN OVER .000050/(0.00127) MIN, NICKEL  
1 OR 2-.000030/(0.00076) MIN, SELECT GOLD AND .000100/(0.00254) MIN, SELECT MATTE TIN OVER .000050/(0.00127) MIN, NICKEL OVERALL
- PRODUCT SPECIFICATION: PS-5556-003
- PACKAGING: BULK PER PK-30070-001
- PART MATES WITH MINI-FIT JR, TPA RECEPTACLE 30067.
- PARTS ARE NOT TO BE MATED OR UNMATED WHILE CIRCUITS ARE LIVE.
- DISCOLORATION ON THE BANDOLIER CARRIER AREA OF THE PIN IS INHERENT TO THE PLATING PROCESS AND IS DUE TO THE MASKING EFFECT OF THE CARRIER. THIS DISCOLORATION IS IN A NON-FUNCTIONAL AREA OF THE PIN AND WILL NOT AFFECT THE PREFORMMANCE OF THE HEADER ASSEMBLY.
- PARTS CONFORM TO CLASS "B" REQUIREMENTS OF COSMETIC SPECIFICATION PS-45499-002.  
FORMING MARKS ARE ACCEPTABLE.
- PARTS ARE NOT DESIGNED FOR CURRENT SHARING.



**OPTION 1 AND 3  
PEG MOUNT**  
SEE SHEET 2 FOR FLANGE MOUNT



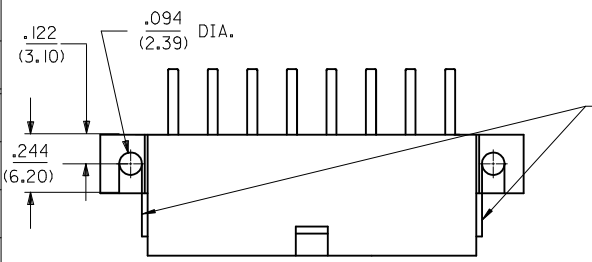
NOTE: DIMENSIONS SHOWN IN THIS VIEW ARE TYPICAL FOR ALL P.C.B. CONFIGURATIONS FROM 6-16 CIRCUITS.

RECOMMENDED HOLE LAYOUT FOR .070/(1.78) MAX. P.C.BOARD  
VIEWED FROM COMPONENT SIDE OF BOARD

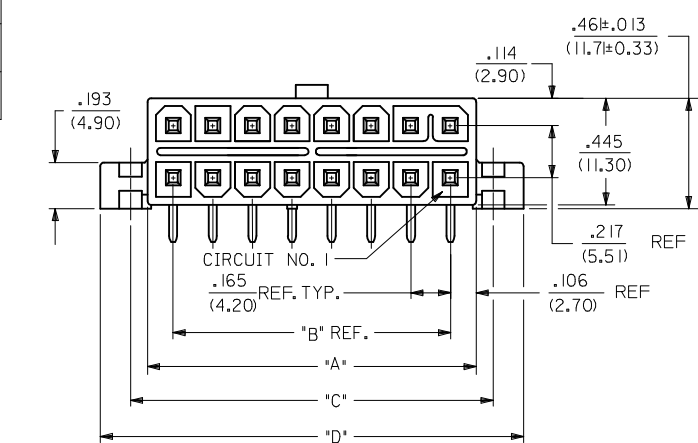
OBS P/N'S EC NO: UCP2013-1811 DRWIN:BBEE CHKD:JBELL APPR:FSMITH REV: D1	QUALITY SYMBOLS ▽=0 ▽=0 ▽=0	GENERAL TOLERANCES (UNLESS SPECIFIED)	DIMENSION STYLE IN/MM	SCALE 4:1	DESIGN UNITS METRIC	THIRD ANGLE PROJECTION
		4 PLACES ± --- ± ---	DRAWN BY TGREGORI	DATE 2006/03/28	MINI-FIT TPA RIGHT ANGLE HEADER ASSY	
		3 PLACES ± --- ± .010	CHECKED BY JCOMERCI	DATE 2006/03/28	MOLEX INCORPORATED	
		2 PLACES ± 0.25 ± .014	APPROVED BY FSMITH	DATE 2010/04/09	DOCUMENT NO. SD-30070-001	SHEET NO. 1 OF 2
1 PLACE ± 0.36 ± ---	ANGULAR ± 1/2°	DRAFT WHERE APPLICABLE MUST REMAIN WITHIN DIMENSIONS	SEE TABLE	THIS DRAWING CONTAINS INFORMATION THAT IS PROPRIETARY TO MOLEX INCORPORATED AND SHOULD NOT BE USED WITHOUT WRITTEN PERMISSION		

# BLACK FLANGE MOUNT HEADERS

CKT. SIZE	PART NUMBER	ENG NUMBER	PLATING	DIM "A"	DIM "B"	DIM "C"	DIM "D"
2	15-97-8022	30070-02A3	TIN	.213	—	.354	.606
	15-97-8027	30070-02A1	GOLD	(5.40)	—	(9.00)	(15.40)
4	15-97-8042	30070-04A3	TIN	.378	.165	.520	.772
	15-97-8047	30070-04A1	GOLD	(9.60)	(4.20)	(13.20)	(19.60)
6	15-97-8062	30070-06A3	TIN	.543	.331	.685	.937
	15-97-8067	30070-06A1	GOLD	(13.80)	(8.40)	(17.40)	(23.80)
8	15-97-8082	30070-08A3	TIN	.709	.496	.850	1.102
	15-97-8087	30070-08A1	GOLD	(18.00)	(12.60)	(21.60)	(28.00)
10	15-97-8102	30070-10A3	TIN	.874	.661	1.016	1.268
	15-97-8107	30070-10A1	GOLD	(22.20)	(16.80)	(25.80)	(32.20)
12	15-97-8122	30070-12A3	TIN	1.039	.827	1.181	1.433
	15-97-8127	30070-12A1	GOLD	(26.40)	(21.00)	(30.00)	(36.40)
16	15-97-8162	30070-16A3	TIN	1.370	1.157	1.512	1.764
	15-97-8167	30070-16A1	GOLD	(34.80)	(29.40)	(38.40)	(44.80)

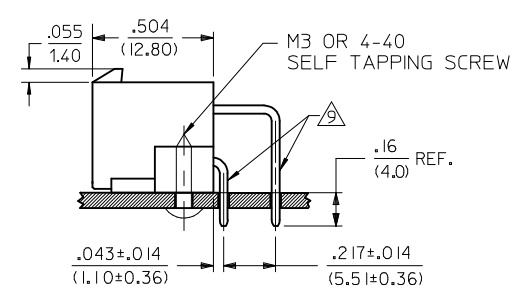


THIS FEATURE IS NOT PRESENT ON 12 AND 16 CIRCUIT PARTS.

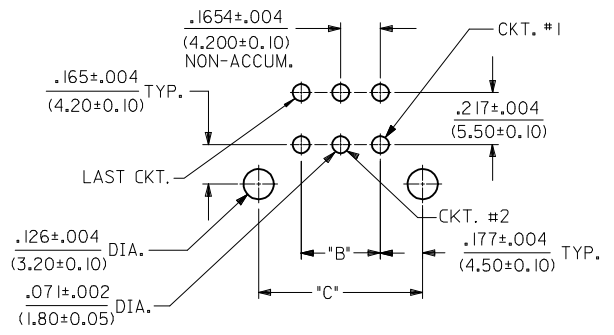
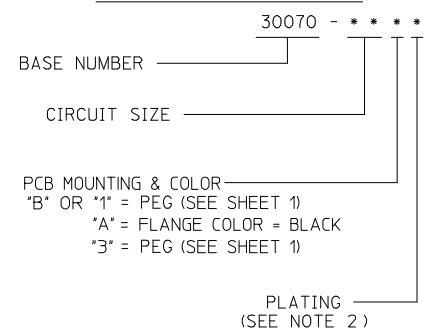


## OPTION 2 FLANGE MOUNT

SEE SHEET 1 FOR PEG MOUNT



### FINISHED PART LEGEND



RECOMMENDED HOLE LAYOUT FOR .070(1.78) MAX. P.C. BOARD  
VIEWED FROM COMPONENT SIDE OF BOARD

SEE SHEET 1 EC NO: UCP2013-1811 DRWN:BBEE CHKD:JBELL APPR:FSMITH	REV D1	DESCRIPTION 2012/11/06 2012/11/06 2013/01/11	QUALITY SYMBOLS ▽=0 ▽=0 ▽=0	GENERAL TOLERANCES (UNLESS SPECIFIED)	DIMENSION STYLE IN/MM	SCALE 4:1	DESIGN UNITS METRIC	THIRD ANGLE PROJECTION	
				4 PLACES ± --- ± ---	DRAWN BY TGREGORI	DATE 2006/03/28	MINI-FIT TPA RIGHT ANGLE HEADER ASSY		
				3 PLACES ± --- ± .010	CHECKED BY JCOMERCI	DATE 2006/03/28			
				2 PLACES ± 0.25 ± .014	APPROVED BY FSMITH	DATE 2010/04/09	MOLEX INCORPORATED		
1 PLACE ± 0.36 ± ---	ANGULAR ±1/2°		DRAFT WHERE APPLICABLE MUST REMAIN WITHIN DIMENSIONS		SEE TABLE	MATERIAL NO. DOCUMENT NO. SD-30070-001	SHEET NO. 2 OF 2		
THIS DRAWING CONTAINS INFORMATION THAT IS PROPRIETARY TO MOLEX INCORPORATED AND SHOULD NOT BE USED WITHOUT WRITTEN PERMISSION									