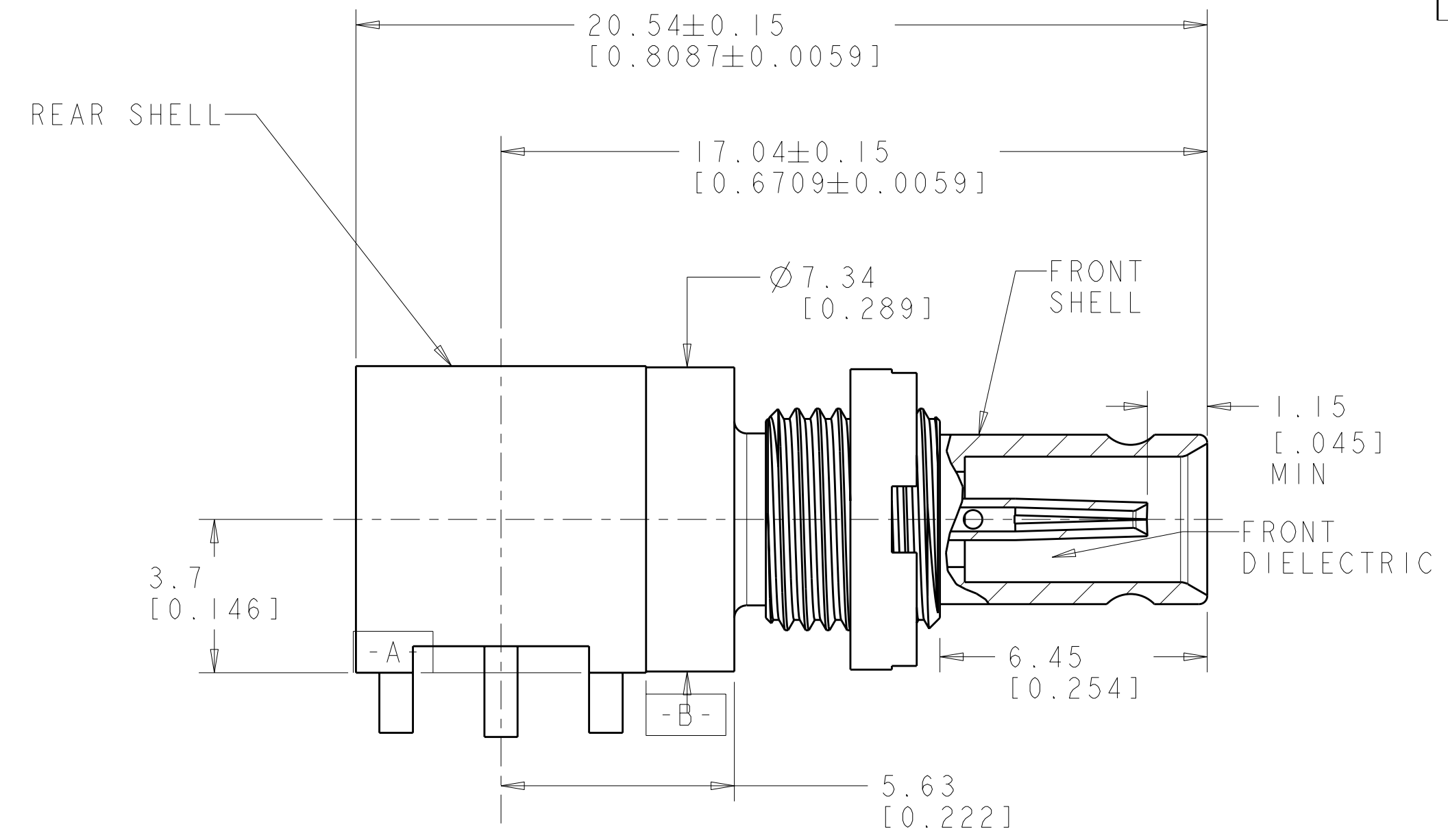
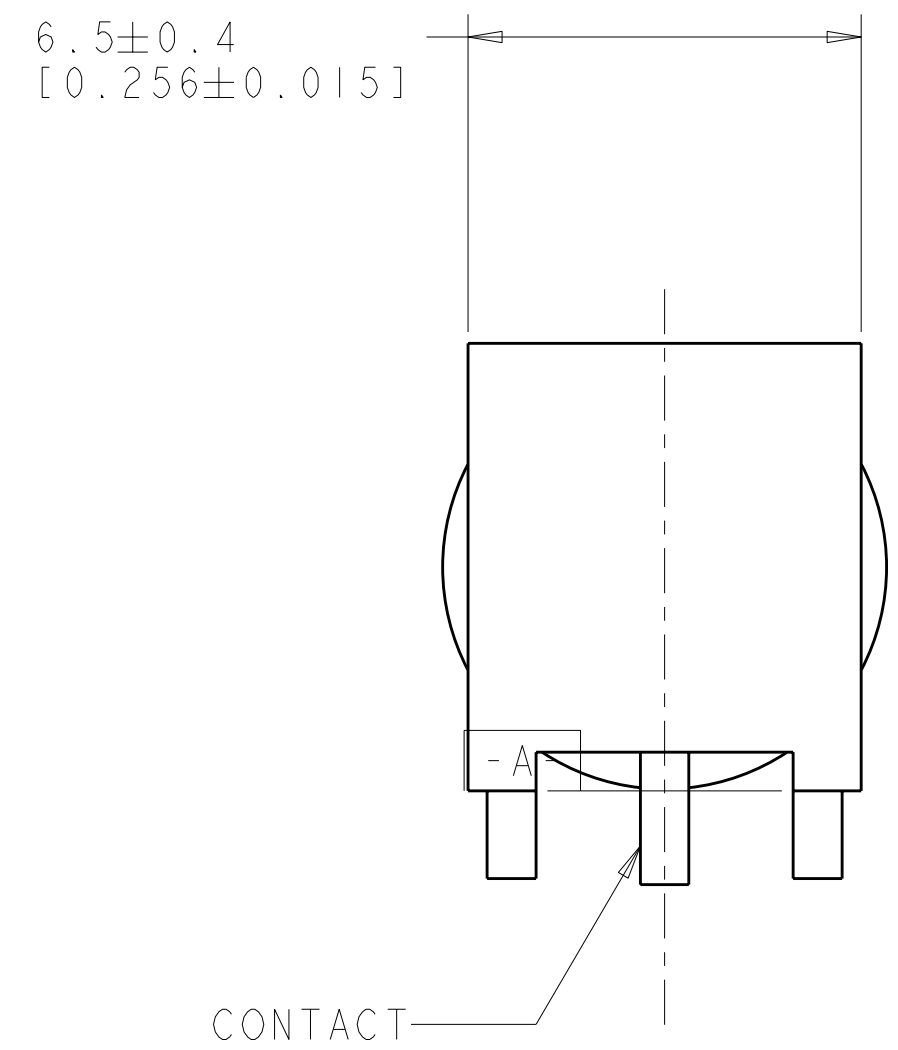
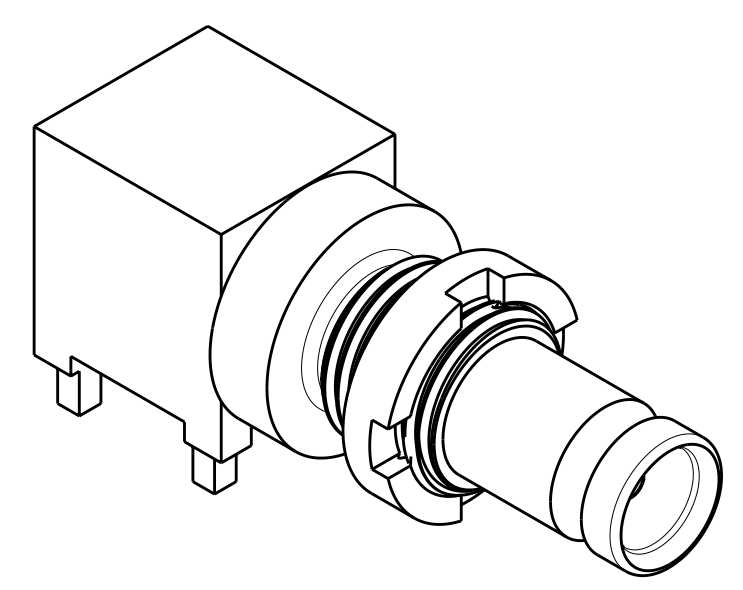
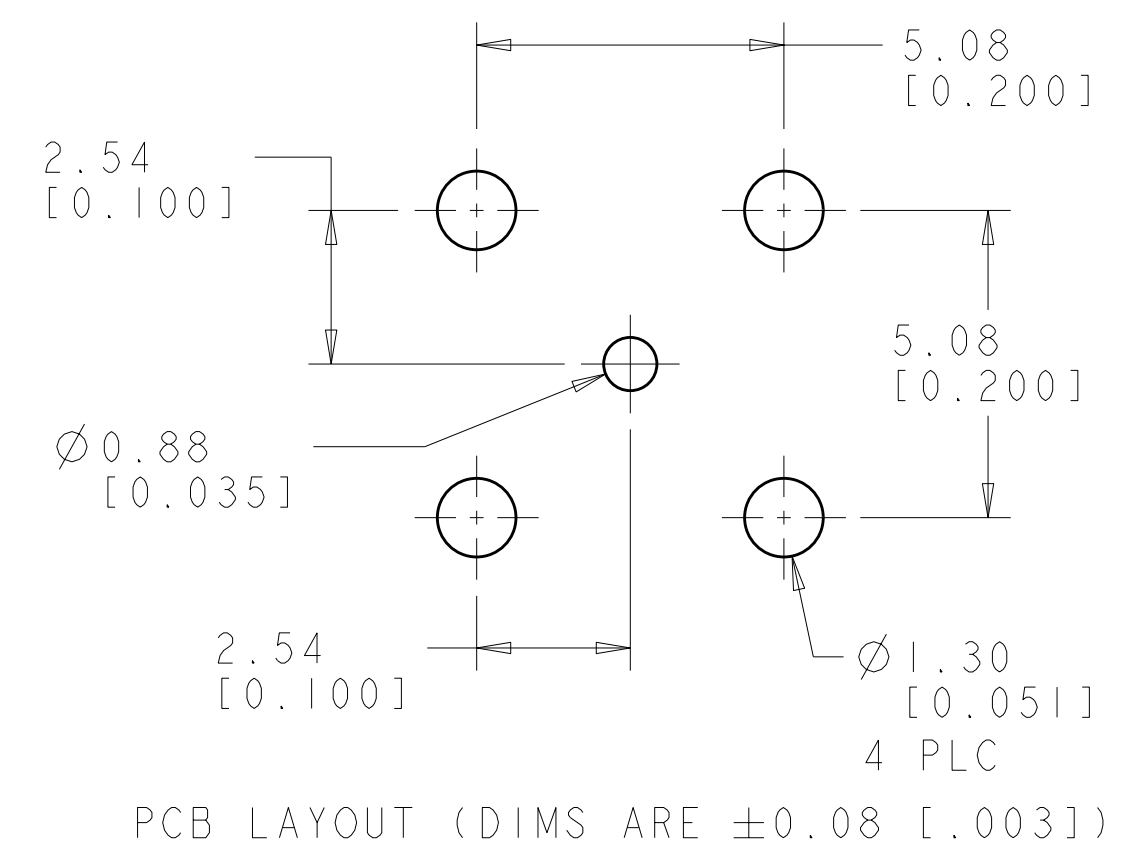
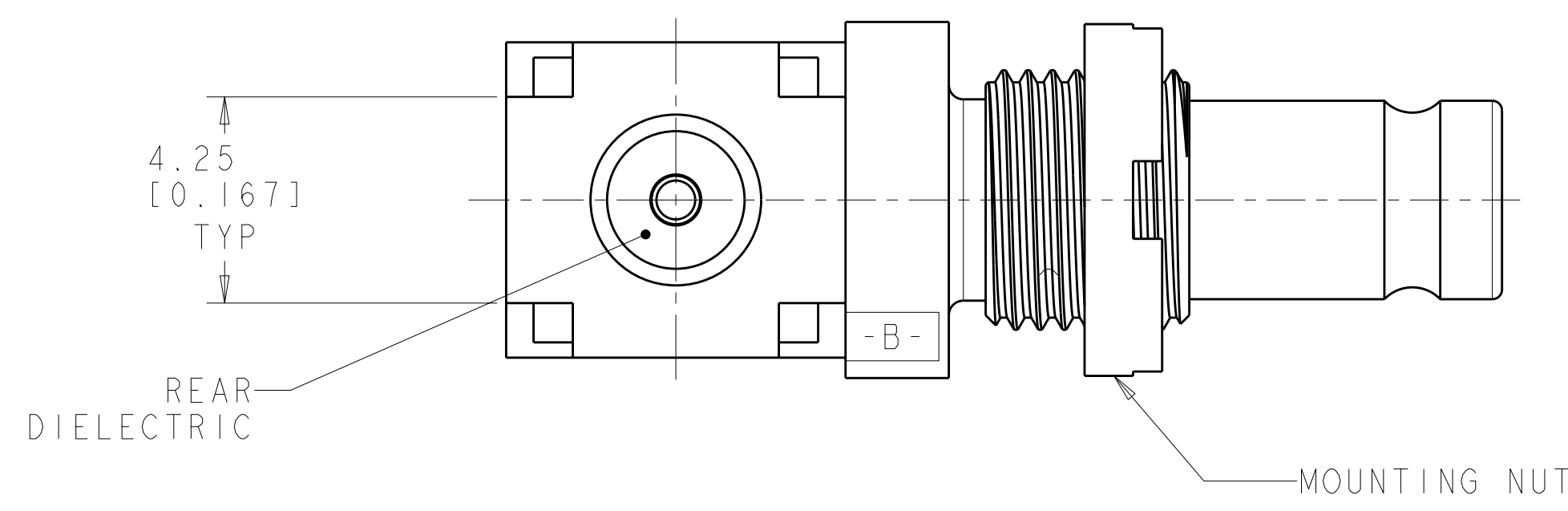


THIS DRAWING IS UNPUBLISHED. RELEASED FOR PUBLICATION 20
 © COPYRIGHT 20 BY TYCO ELECTRONICS CORPORATION. ALL RIGHTS RESERVED.

| LOC | DIST | REVISIONS | | | |
|-----|------|-------------|---------------------------|-----------|--------|
| P | LTR | DESCRIPTION | DATE | DWN | APVD |
| AJ | 16 | C | REVISED EPR ECO-10-021849 | 26NOV2010 | HMR FB |



- 1 MATERIALS:
SHELLS, MOUNTING NUT: BRASS PER ASTM B 16
DIELECTRICS: PTFE PER ASTM D 1710
CONTACT: PHOSPHOR BRONZE PER ASTM B 139
- 2 FINISHES:
FRONT SHELL, CONTACT: GOLD PLATE PER ASTM B 488
REAR SHELL: TIN PLATE PER ASTM B 545
MOUNTING NUT: NICKEL PLATE PER QQ-N-290
- 3. INTERFACE CONFORMS TO IEC 60169-29 AND CECC 22 230.
- 4. THIS PRODUCT HAS NOT COMPLETED VALIDATION TESTING.
- 5 WITHOUT MOUNTING NUT



SCALE 5:1

| | |
|---|-------------|
| 5 | 1274544-2 |
| | 1274544-1 |
| | PART NUMBER |

| | | | | | | |
|--|--|------------------|------------|-----------|---|--|
| THIS DRAWING IS A CONTROLLED DOCUMENT FOR TYCO ELECTRONICS CORPORATION IT IS SUBJECT TO CHANGE AND THE CONTROLLING ENGINEERING ORGANIZATION SHOULD BE CONTACTED FOR THE LATEST REVISION. | | DWN | J. HAVENER | 25AUG2003 | Tyco Electronics Harrisburg, PA 17105-3608 | |
| DIMENSIONS: mm [INCHES] | | CHK | J. HAVENER | 05NOV2003 | | |
| TOLERANCES UNLESS OTHERWISE SPECIFIED: | | APVD | J. HAVENER | 05NOV2003 | | |
| 0 PLC ±- 1 PLC ±0.2 [.008] 2 PLC ±0.05 [.002] 3 PLC ±- 4 PLC ±- ANGLES ±1.0 FINISH SEE TABLE | | PRODUCT SPEC | - | | | |
| MATERIAL SEE TABLE | | APPLICATION SPEC | - | | NAME | JACK, RIGHT ANGLE, PCB, BULKHEAD, SERIES 1.0/2.3 |
| SEE TABLE | | WEIGHT | - | | SIZE | A2 |
| SEE TABLE | | CUSTOMER DRAWING | - | | CAGE CODE | 00779 |
| | | SCALE | 8:1 | | DRAWING NO | 1274544 |
| | | SHEET | 1 | | RESTRICTED TO | - |
| | | REV | C | | | |