

used for:

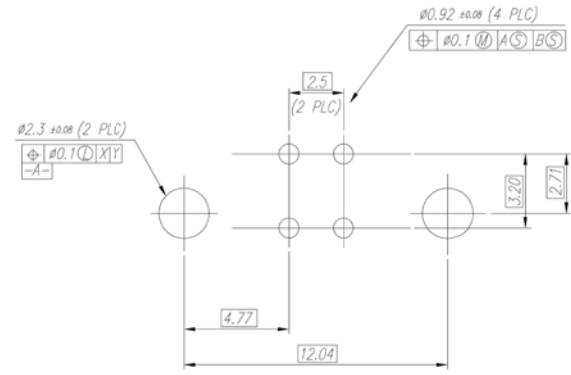
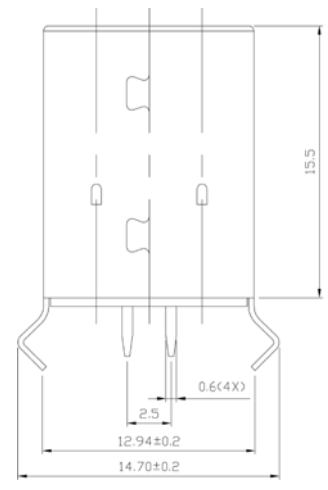
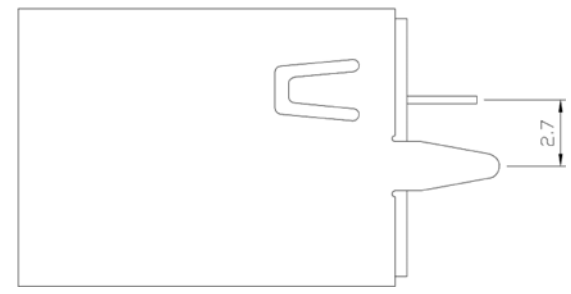
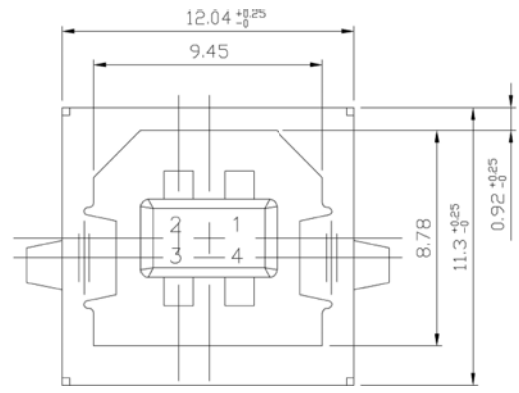
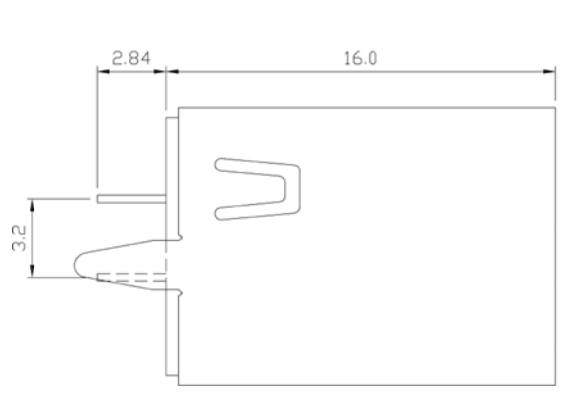


FIGURE A: PCB FOOTPRINT FOR RECEPTACLE (THROUGH-HOLE)

**SPECIFICATIONS**

**Materials**

Insulator: Thermoplastic, Glass Filled, 130°C, UL94V-0 Rated  
 Contact: Copper Alloy  
 Plated: Gold Plating  
 Shell: Copper Alloy

**Electrical**

Insulation Resistance: 1000 Megohms MIN.  
 Contact Resistance: 30 Milliohms Max. Initial  
 Dielectric Withstanding Voltage: 500V AC for one minute  
 Current: 1.0 Ampere Maximum Per Contact At 30°C T-Rise  
 Voltage: 30V AC (rms)  
 Temperature: -55°C ~ 85°C

THIS DRAWING MAY NOT BE COPIED OR REPRODUCED IN ANY WAY, AND MAY NOT BE PASSED ON TO A THIRD PARTY WITHOUT WRITTEN PERMISSION. OWNERSHIP AND COPYRIGHT OF CONEC CORPORATION DO NOT ALTER CAD DRAWING BY HAND

CONEC CORPORATION Brampton, Ontario		tolerance unless otherwise specified Decimat: .xxx Angles: °	scale:
2005	date	name	material: See Specifications
draw.	April. 14	Vincent Ke	title: USB 1.1 Version CONNECTOR B TRPE PCB Through Hole
appd.			drawing no.: AutoCAD 2004
norm			DIN A3 sheet 1/1
d-old			part no.: 33UBBD-04 SW11
rev.	description	date	name

