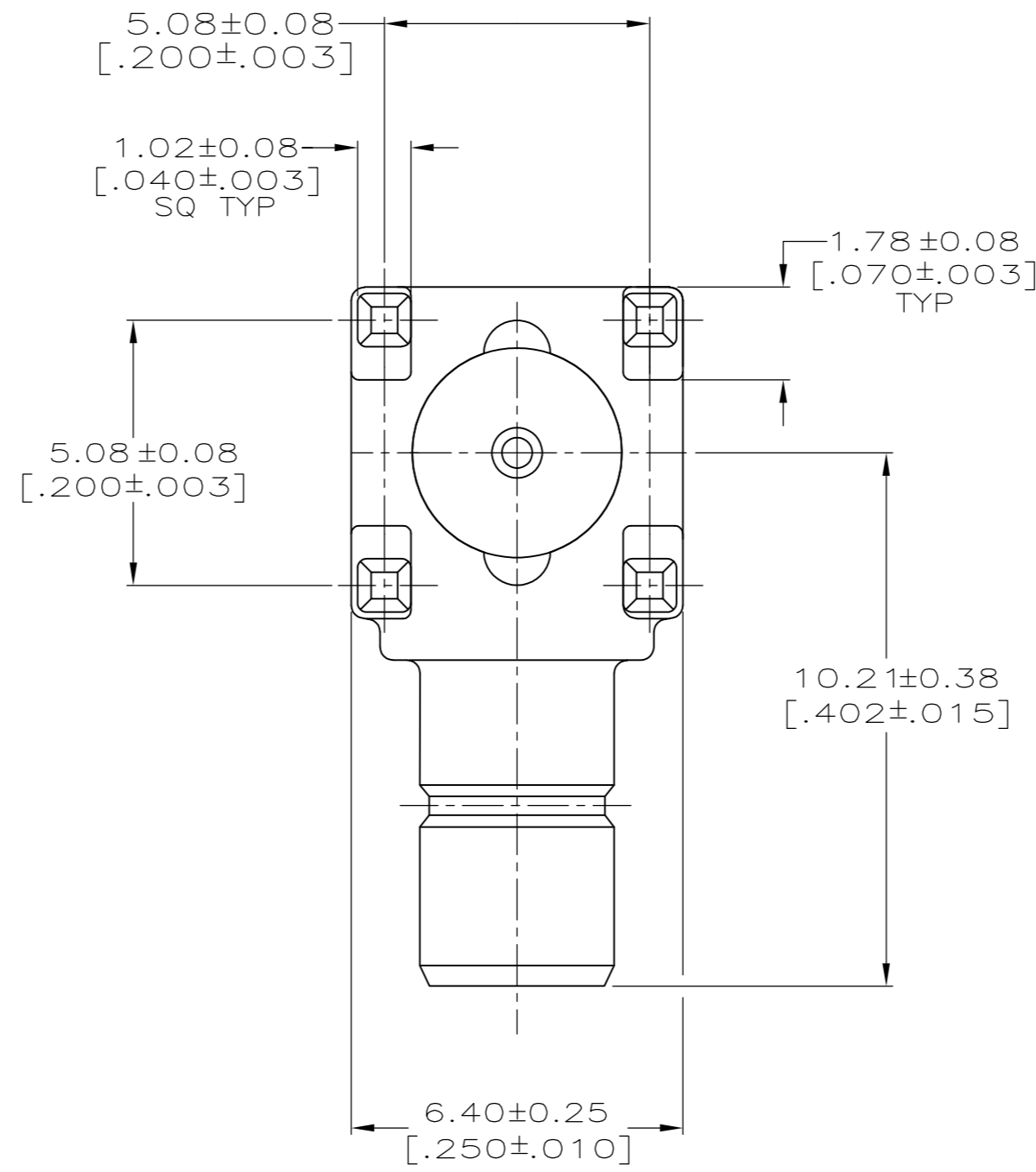
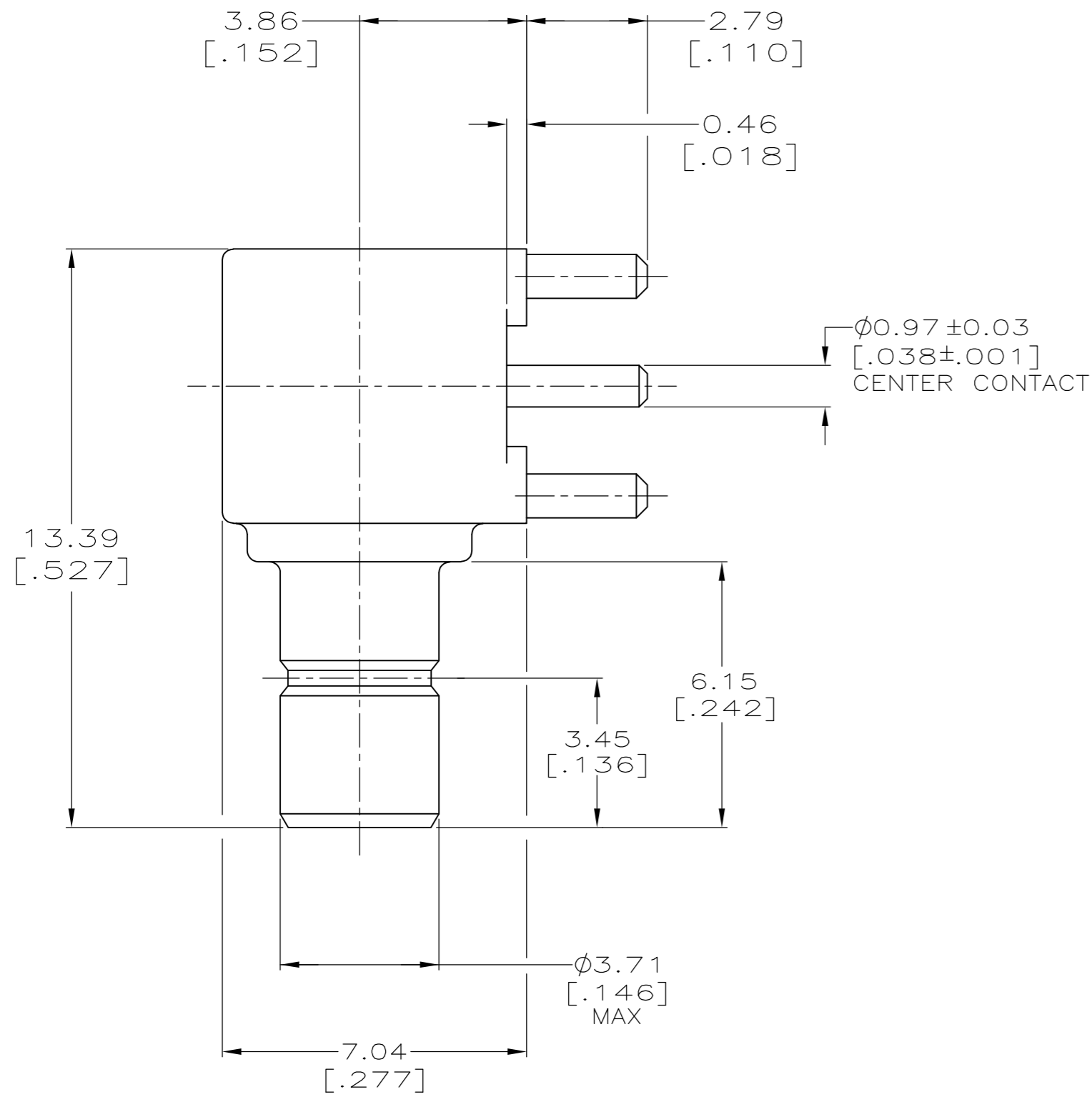
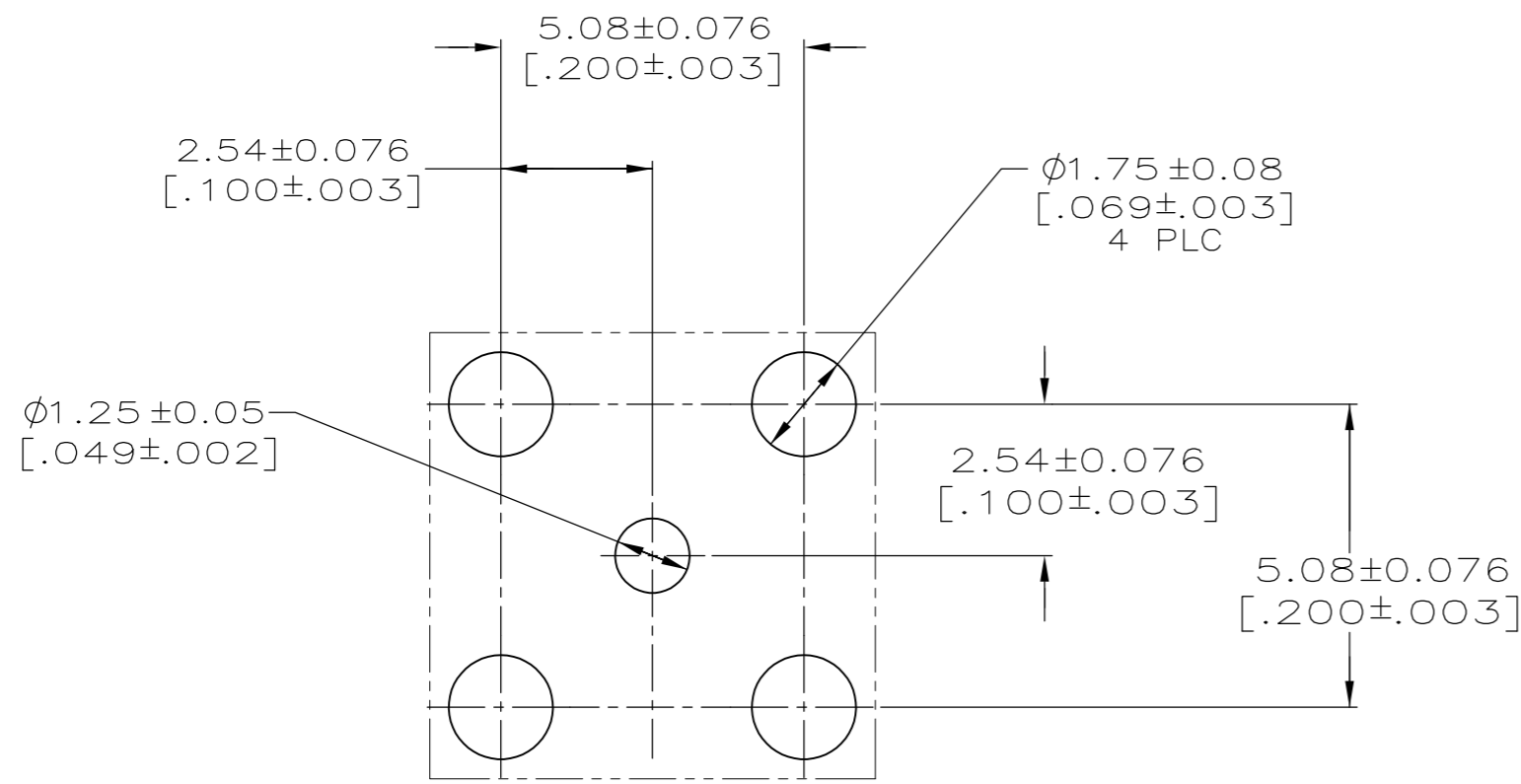


THIS DRAWING IS UNPUBLISHED. RELEASED FOR PUBLICATION  
 © COPYRIGHT - By - ALL RIGHTS RESERVED.

LOC		DIST		REVISIONS			
P	LTR	DESCRIPTION	DATE	DWN	APVD		
AJ	31						
	A2	ECO-12-018212	29OCT2012	GG	MY		



- 1 MATERIALS:  
 BODY...ZINC ALLOY (ACUZINC)  
 CENTER CONTACT...BRASS PER QQ-B-626  
 DIELECTRICS...PTFE PER ASTM-D1710
- 2 FINISH:  
 CENTER CONTACT...GOLD PLATE PER MIL-G-45204  
 BODY...GOLD PLATE PER MIL-G-45204.
- 3. INTERFACE PER MIL-C-39012



RECOMMENDED PCB CONFIGURATION

415340-1  
 PART NUMBER

THIS DRAWING IS A CONTROLLED DOCUMENT.		DWN 02/FEB/96 S. BURKHOLDER		
DIMENSIONS: mm [INCHES]		CHK 4-1-96 B. MOYER		
TOLERANCES UNLESS OTHERWISE SPECIFIED:		APVD 4-1-96 J. CABARLO	NAME JACK, RIGHT ANGLE, PCB, SMB	
0 PLC ± - 1 PLC ± - 2 PLC ± 0.13 [.005] 3 PLC ± - 4 PLC ± - ANGLES ± -		PRODUCT SPEC -	SIZE A2	CAGE CODE 00779
MATERIAL 1	FINISH 2	APPLICATION SPEC -	DRAWING NO C=415340	RESTRICTED TO -
CUSTOMER DRAWING			SCALE 8:1	SHEET 1 of 1
			REV A2	