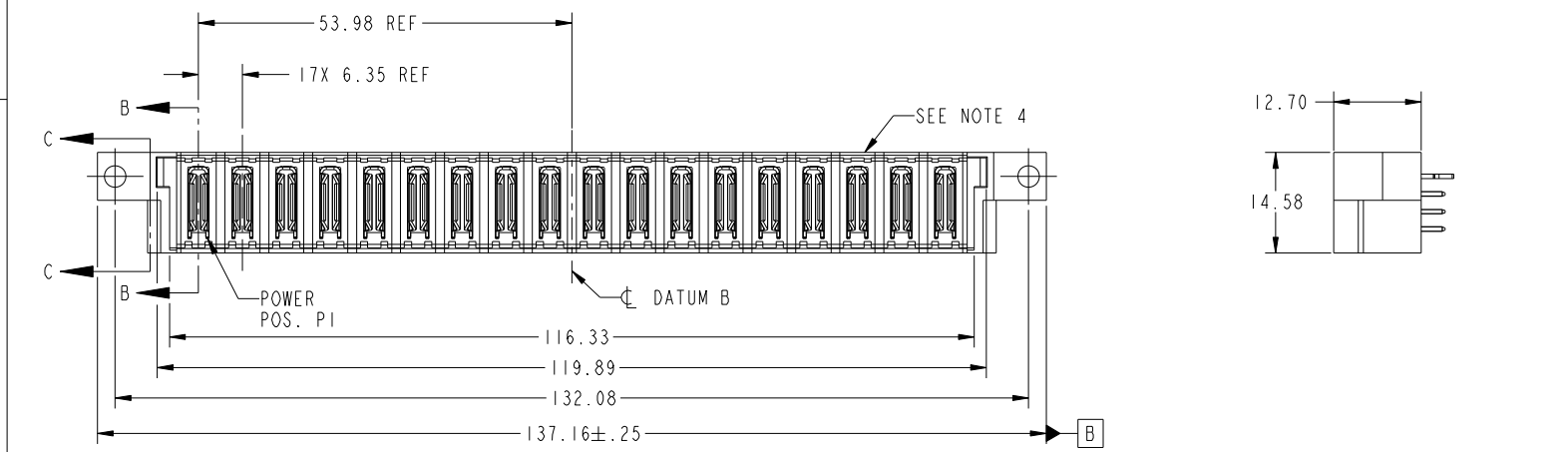
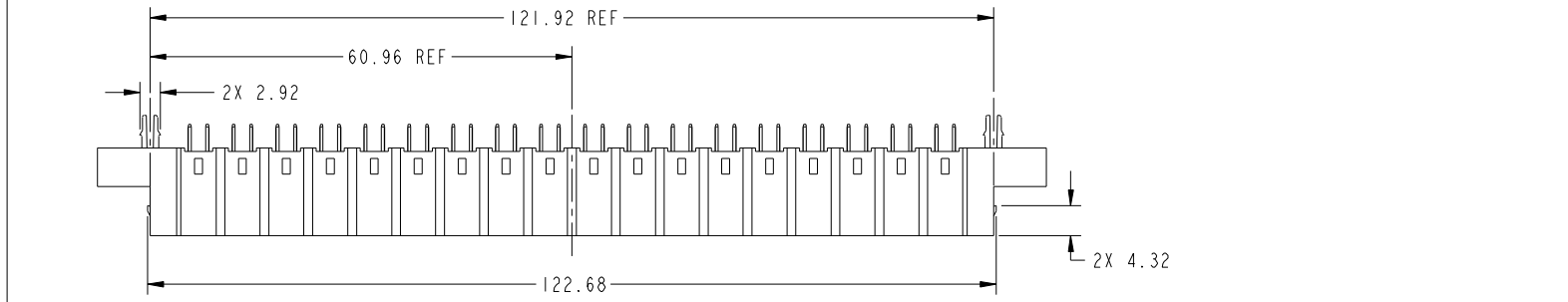
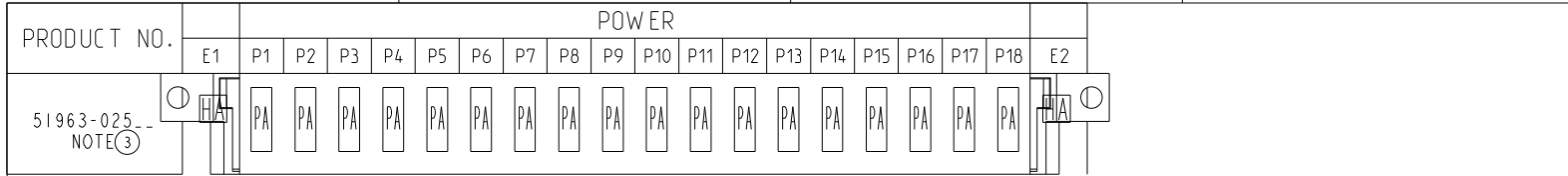


Tous droits strictement réservés. Reproduction ou communication a des tiers interdite sous quelque forme que ce soit sans autorisation écrite du propriétaire. Propriete de c FCI. Droits de reproduction FCI.

All rights strictly reserved. Reproduction or issue to third parties in any form whatever is not permitted without written authority from the proprietor. Property of FCI. Copyright FCI.



CODE	DIM "M" MATING LENGTH	CONTACT TYPE
PA	[N/A]	POWER
HA	[N/A]	HOLD-DOWN

mat'l code				tolerances unless otherwise specified		CUSTOMER	
ltr	ecn no.	dr	date	linear	0.X ± 0.3	COPY	
A	DG07-0397	JMG	09/07/07	angles	0.XX ± 0.13	projection	
					0.XXX ± 0.051	MIM	
				dr	0° ± 2°	scale	
				enrg	JM GUO 09/07/07	1:1	
				chr	JEROME CHEN 09/07/07	size	
				appd	GARY HSI EH 09/07/07	A	
					JOSEPH HSIA 09/07/07	sheet	
sheet index	revision sheet	A 1	A 2	A 3	A 4	1 of 4	

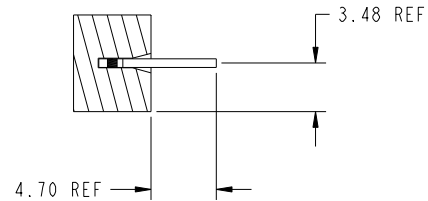
CUSTOMER		FCI	
www.fciconnect.com		title	
18P VERTICAL SOLDER HEADER		product family	
PwrBlade		code	
213		size	
dwg no		A	
51963-025		sheet	
1 of 4		cage code	
22526		4	

Tous droits strictement reserves. Reproduction ou communication a des tiers interdite sous quelque forme que ce soit sans autorisation écrite du propriétaire. Propriete de c FCI. Droits de reproduction FCI.

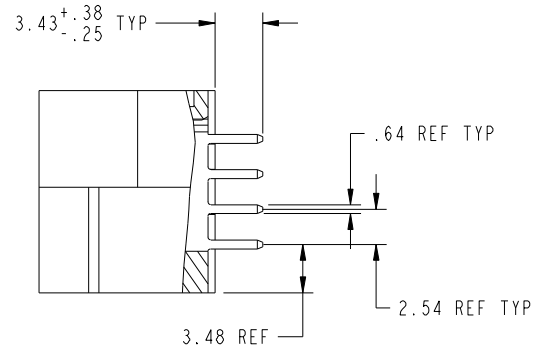


All rights strictly reserved. Reproduction or issue to third parties in any form whatever is not permitted without written authority from the proprietor. Property of FCI. Copyright FCI.

PRODUCT NUMBER
51963-025--
NOTE 3



SECTION C-C
SCALE 2:1



SECTION B-B
SCALE 2:1

mat'l code				tolerances unless otherwise specified		CUSTOMER		FCI	
ltr	ecn no.	dr	date	linear	0.X ± 0.3	COPY		www.fciconnect.com	
A					0.XX ± 0.13	projection		title 18P	
				angles	0.XXX ± 0.051			VERTICAL SOLDER HEADER	
				dr	JM GUO 09/07/07			product family PwrBlade code 213	
				enr	JEROME CHEN 09/07/07			size dwg no 51963-025 sheet 2 of 4	
				chr	GARY HSIEH 09/07/07	scale 1:1			
				appd	JOSEPH HSIA 09/07/07				
sheet index		revision sheet							

cage code 22526

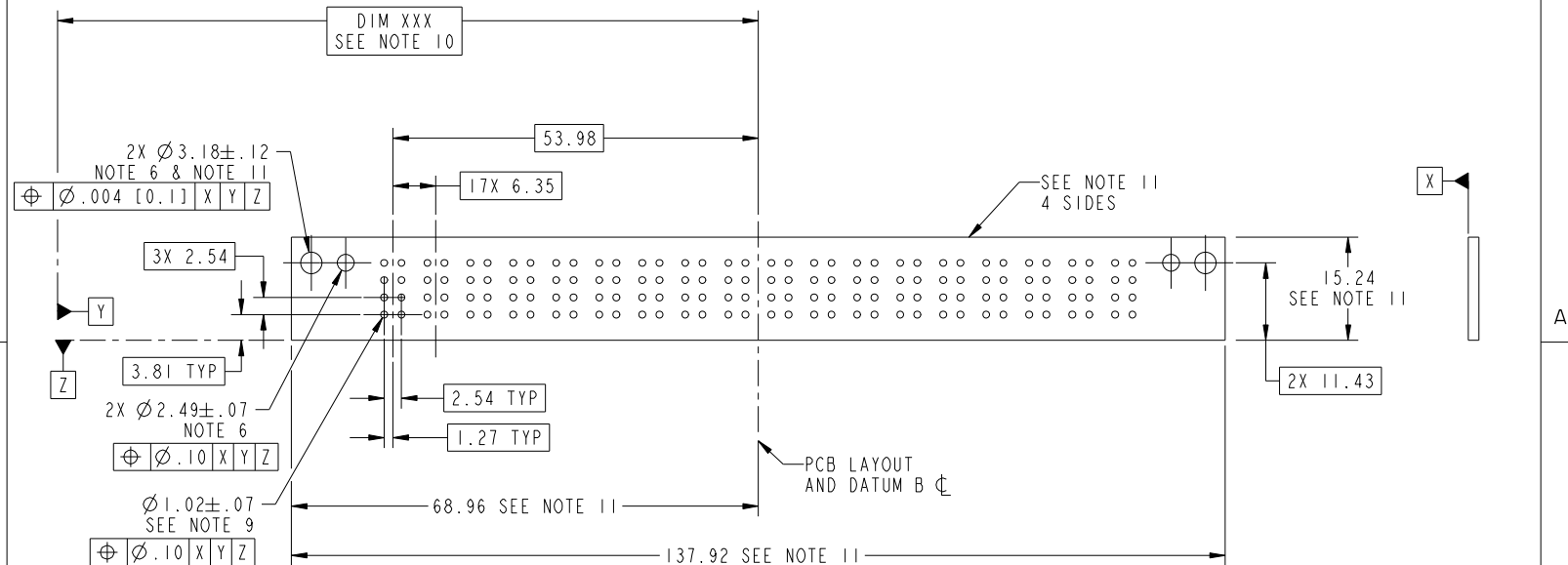
Pro/E

Tous droits strictement reserves. Reproduction ou communication a des tiers interdite sous quelque forme que ce soit sans autorisation ecrite du proprietaire. Propriete de c FCI. Droits de reproduction FCI.



All rights strictly reserved. Reproduction or issue to third parties in any form whatever is not permitted without written authority from the proprietor. Property of FCI. Copyright FCI.

PRODUCT NUMBER
51963-025--
NOTE 3



RECOMMENDED PCB LAYOUT

mat'l code				tolerances unless otherwise specified		CUSTOMER			
ltr	ecn no.	dr	date	linear	0.X ± 0.3	COPY		www.fciconnect.com	
A					0.XX ± 0.13	projection	title		
					0.XXX ± 0.050		18P VERTICAL SOLDER HEADER		
				angles	0° ± 2°			product family PwrBlade code	
				dr	JM GUO 09/07/07	MIM		size	213
				enrg	JEROME CHEN 09/07/07	← MIM →		dwg no	3 of 4
				chr	GARY HSIEH 09/07/07	scale		A	51963-025
				appd	JOSEPH HSIA 09/07/07	1:1			
sheet index	revision sheet								

cage code 22526

Pro/E

Tous droits strictement reserves. Reproduction ou communication a des tiers interdite sous quelque forme que ce soit sans autorisation écrite du propriétaire. Propriete de c FCI. Droits de reproduction FCI.



All rights strictly reserved. Reproduction or issue to third parties in any form whatever is not permitted without written authority from the proprietor. Property of FCI. Copyright FCI.

PRODUCT NUMBER
51963-025--
NOTE 3

NOTES:

1. DIMENSIONS AND TOLERANCES ARE IN ACCORDANCE WITH ASME Y14.5M, 1994 UNLESS OTHERWISE SPECIFIED.

CONNECTOR NOTES:

- 2 HOUSING MATERIAL: UL 94 V-0 GLASS FILLED
HIGH-TEMP THERMOPLASTIC
POWER CONTACT MATERIAL: COPPER ALLOY
SIGNAL PIN MATERIAL: COPPER ALLOY
 - 3. PLATING:
51963-025 ,51963-025LF PLATING SPEC. WAS SHOWN IN THE PRINT OF 10064183.
 - 4 MANUFACTURER'S NAME, P/N, AND DATE CODE TO APPEAR ON THIS SURFACE.
 - 5. PRODUCT SPECIFICATION GS-12-149.
APPLICATION SPECIFICATION BUS-20-067.
 - 6. PACKAGED IN TRAYS.
- PCB NOTES:
- 7. ALL HOLE DIAMETERS ARE FINISHED HOLE SIZE.
 - 8. MOUNTING HOLES, WHERE APPLICABLE, ARE UNPLATED.
 - 9 $\varnothing 1.151 \pm 0.025$ DRILLED HOLES PLATED WITH
0.008 MIN SnPb OR Sn OVER .001 [0.03]
TO 0.08 Cu PLATING TO ACHIEVE
 $\varnothing 1.02 \pm .07$ HOLE.
 - 10 "DIM XXX" TO BE DETERMINED BY THE CUSTOMER.
 - 11 CONNECTOR KEEP-OUT ZONE.
 - 12. CUSTOMER SUPPLIES (2) #4-40 UNC SCREW.
HARDWARE TO MOUNT HEADER TO PC BOARD.

mat'l code				tolerances unless otherwise specified		CUSTOMER		FCI	
ltr	ecn no.	dr	date	linear	0.X ± 0.3	COPY		www.fciconnect.com	
A				projection	0.XX ± 0.13	title		18P	
				angles	0.XXX ± 0.050	VERTICAL SOLDER HEADER			
				dr	0° ± 2°	product family		PwrBlade code	
				enr	JM GUO 09/07/07	size		213	
				enr	JEROME CHEN 09/07/07	dwg no		sheet	
				chr	GARY HSIEH 09/07/07	scale		4 of 4	
				appd	JOSEPH HSIA 09/07/07	A		51963-025	
sheet index	revision sheet					1:1			

cage code 22526

Pro/E