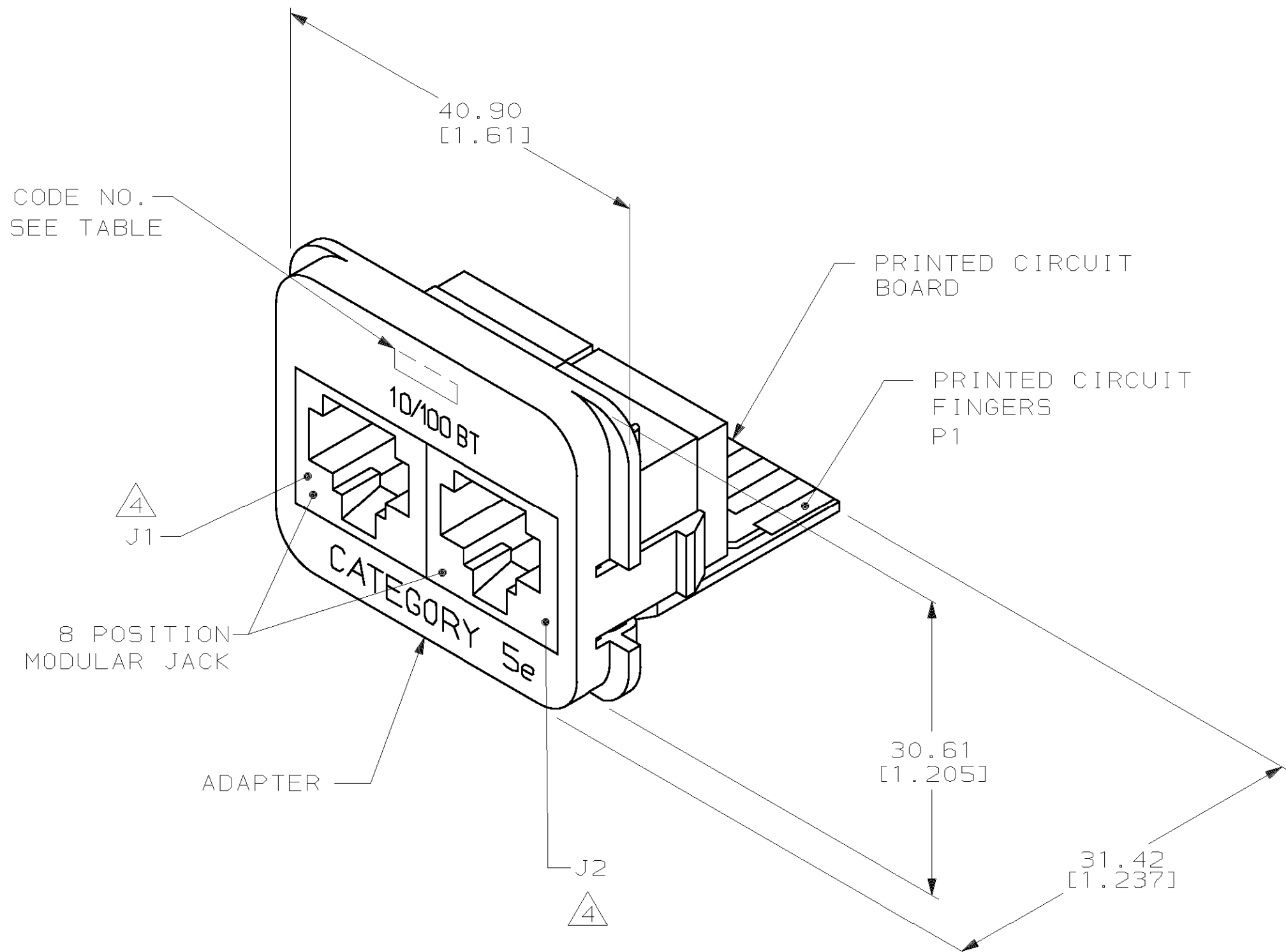
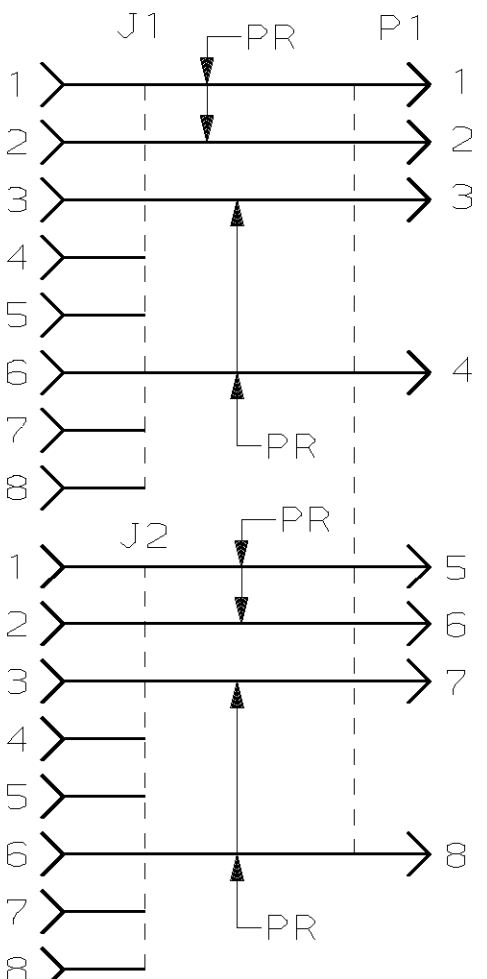


LOC		DIST		REVISIONS			
ZONE	LTR	DESCRIPTION	DATE	APPD			
HM	00						
		D REV; EC 0B40-0292-00	05JAN01	GG	MD		



- 1 DIMENSIONS ARE MAXIMUM.
- 2 MATERIAL: PRINTED CIRCUIT BOARD- LAMINATED PLASTIC SHEET, 1.57 [.062] THICK. ADAPTER-ABS MOLDING COMPOUND, SEE TABLE. PRINTED CIRCUIT FINGERS-0.51µm [.000020] MINIMUM GOLD PLATE OVER 1.27µm [.000050] MINIMUM NICKEL PLATE.
- 3. THIS INSERT IS DESIGNED TO MATE WITH AMP INC. EDGE CONNECTOR KIT AND WALLBOX KITS.
- 4 THIS INTERCONNECT MEETS THE REQUIREMENTS OF IEC 603-7.



ELECTRICAL SCHEMATIC

THIS DRAWING IS A CONTROLLED DOCUMENT FOR AMP INCORPORATED. IT IS SUBJECT TO CHANGE AND THE CONTROLLING ENGINEERING ORGANIZATION SHOULD BE CONTACTED FOR THE LATEST REVISION.

MARKINGS COLOR	CODE NO.	ADAPTER COLOR	PART NO
BLACK	280-6	IVORY	557280-6
BLACK	280-5	WHITE	557280-5
BLACK	280-4	NEMA GRAY	557280-4
WHITE	280-3	BLACK	557280-3
BLACK	280-1	LIGHT ALMOND	557280-1

DO NOT SCALE PRINT. UNLESS SPECIFIED DIMENSIONS IN mm [INCHES] TOLERANCES ON :	DR 5-10-93 C.YATES	AMP Incorporated Harrisburg, PA 17105-3608
2 PLC DEC ± - 1	CHK 5-13-93 C.WHITT	
3 PLC DEC ± -	APPD 5-17-93 J.R.SCHLUNZ	
ANGLES ± -	APPD 5-17-93 B.YARBORO	
MATERIAL	PRODUCT SPEC	NAME
		INSERT ASSEMBLY, DUAL, RJ45, 10/100BT, CATEGORY 5e, AMP COMMUNICATION OUTLET
FINISH	APPLICATION SPEC	SIZE
		C 00779
	WEIGHT	CAGE CODE
		00779
		DRAWING NO
		C=557280
		SCALE
		2:1
		SHEET
		1 OF 1