

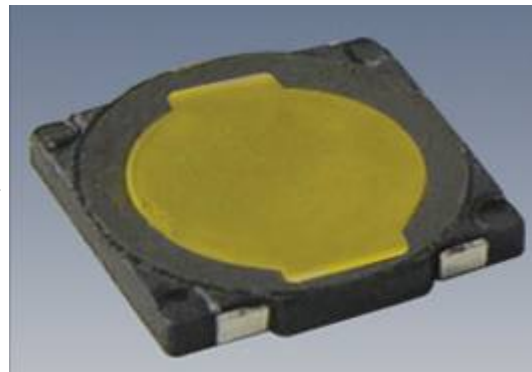
Model SWT4

Tactile Switches 4.6 X 4.6 mm

Low Profile 0.5 mm

RoHS Compliant

New Product



MODELS AVAILABLE

Top Actuation SMD (J PIN)

SWT4 - J

ELECTRICAL

| | |
|-----------------------|------------------------|
| Contact Resistance | 100 mΩ max |
| Insulation Resistance | 100 M Ω min. at 100VDC |
| Dielectric Strength | AC 250VAC / Minute |
| Rating | DC 12V, 50 mA |

ENVIRONMENTAL

| | |
|-----------------------------|--|
| Life Mechanical (range) | 500K Cycles - 160 gf 50K Cycles - 260 gf |
| Operating Force | 160 gf and 260 gf |
| Operating Temperature Range | -20°C – 70°C |
| Storage Temperature Range | -30°C – 80°C |
| Stop Strength | Vertical Static Load of 3Kgf continuously for 15 sec |
| Vibration | Mil-STD-202F, Method 201A |
| Shock | Mil-STD-202F, Method 213B Condition A |
| Soldering | Profile available upon request |
| Travel | 0.2 ±0.1mm |

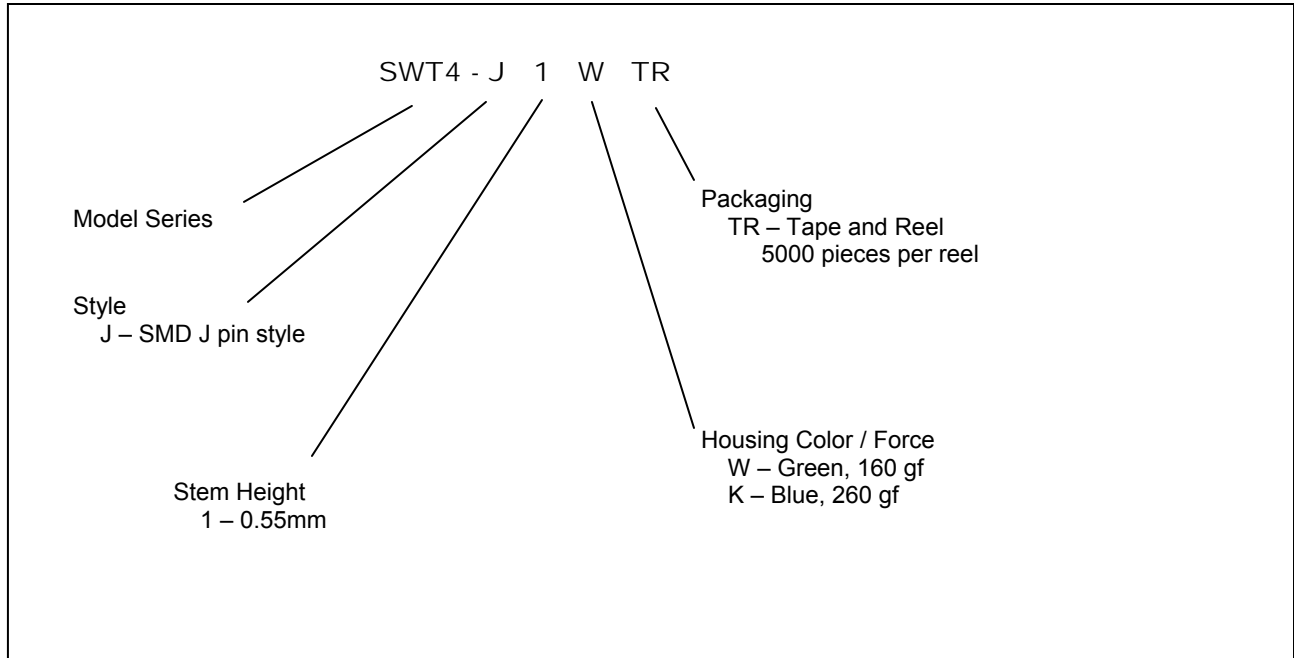
BI Technologies Corporation
4200 Bonita Place, Fullerton, CA 92835 USA

Phone: 714 447 2345 Website: www.bitechnologies.com

June 1, 2010

Model SWT4

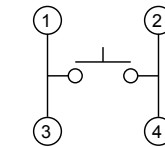
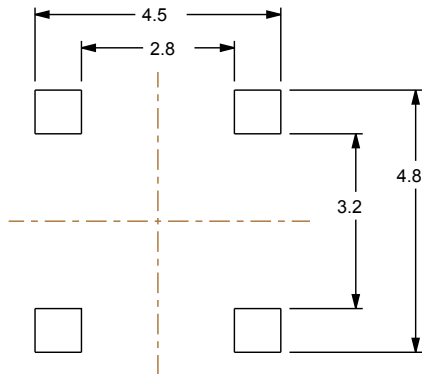
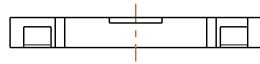
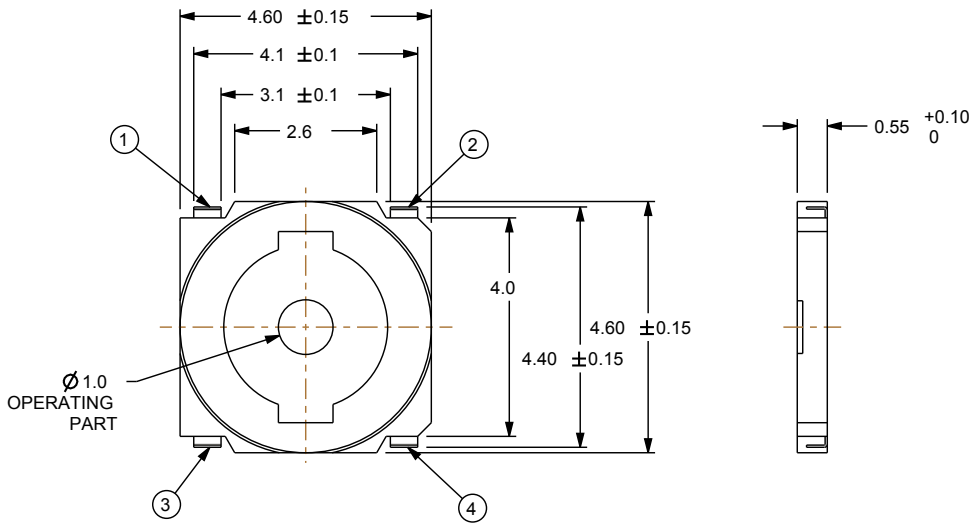
ORDERING INFORMATION



Model SWT4

OUTLINE DRAWINGS

SWT4-J

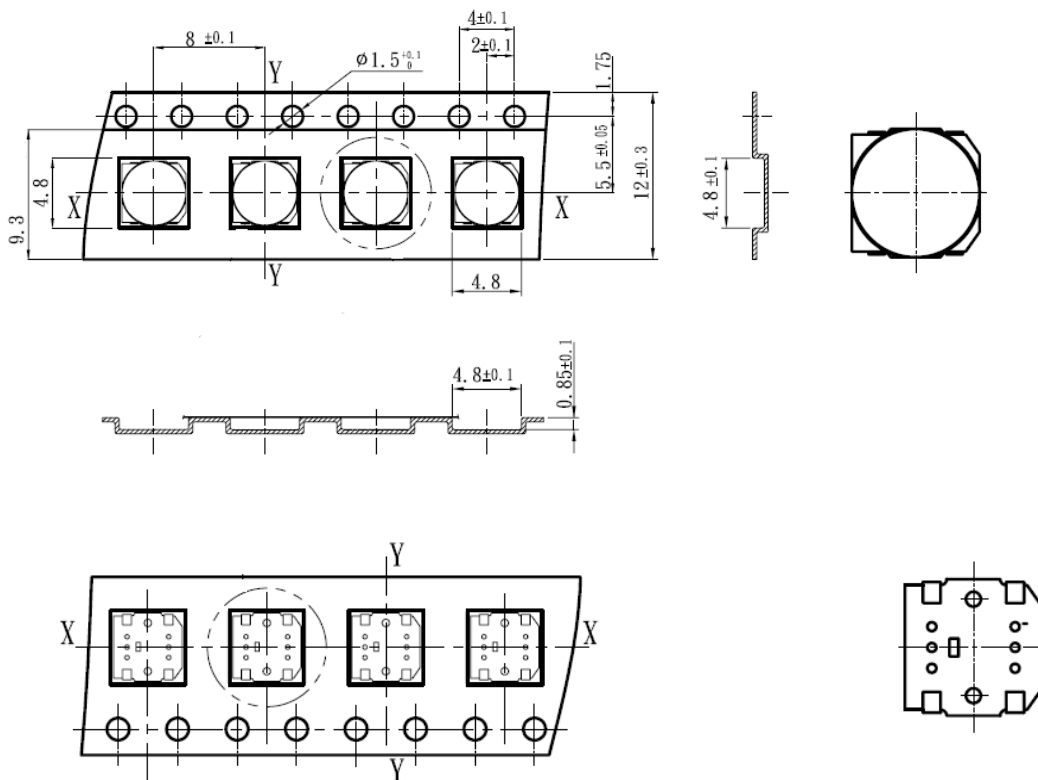


CIRCUIT DIAGRAM

PRINTED CIRCUIT BOARD LAND DIMENSIONS
(WHEN VIEWED FROM SWITCH MOUNTING SURFACE)

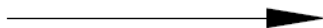
Model SWT4

PACKAGING

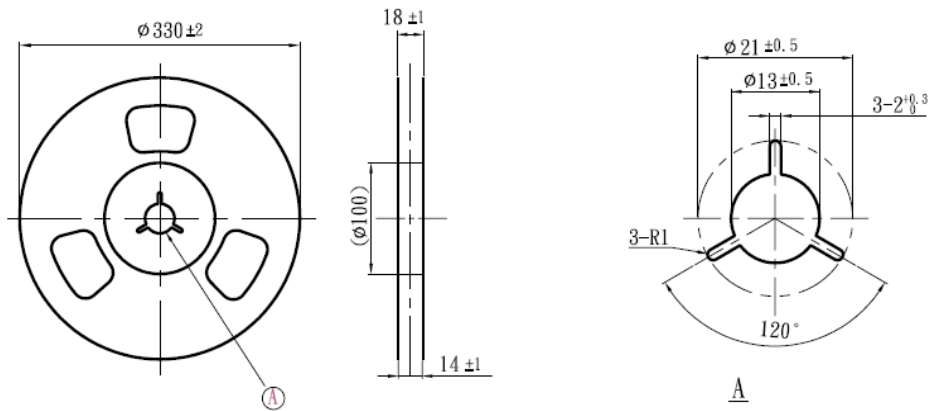


Carrier Tape form and Dimensions

Pulling-out direction of the tape



Model SWT4



Reel form and Dimensions