

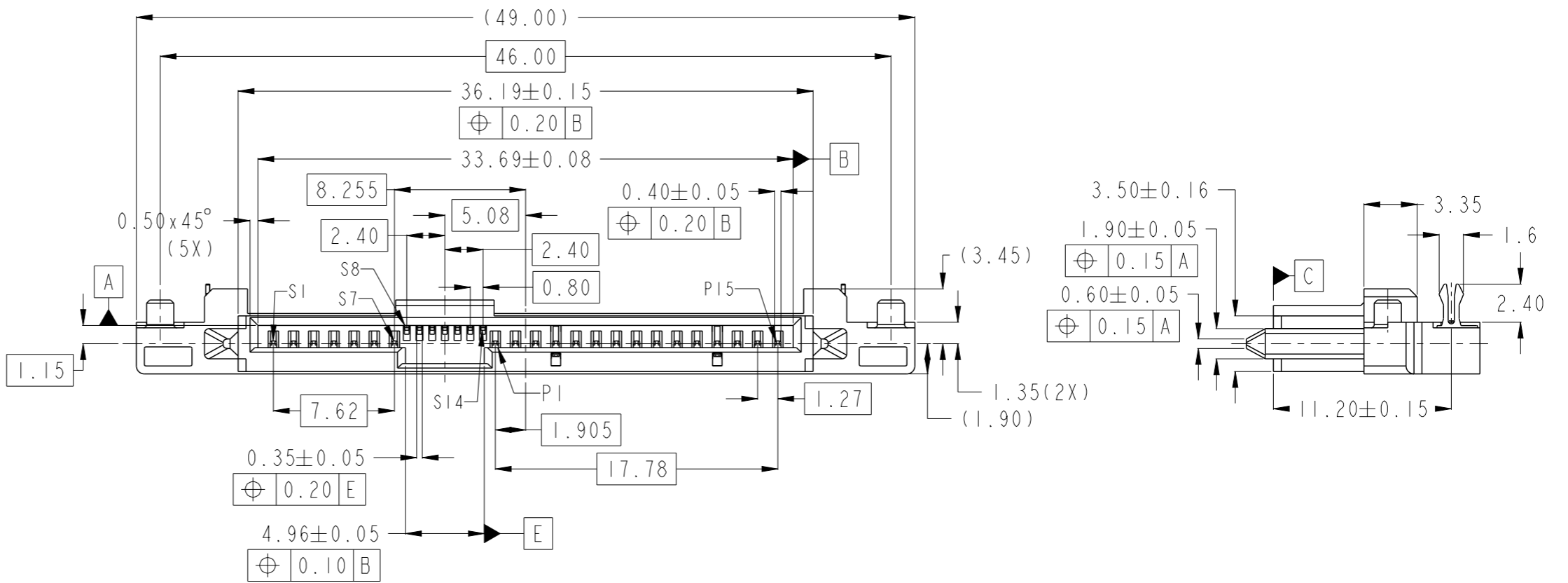
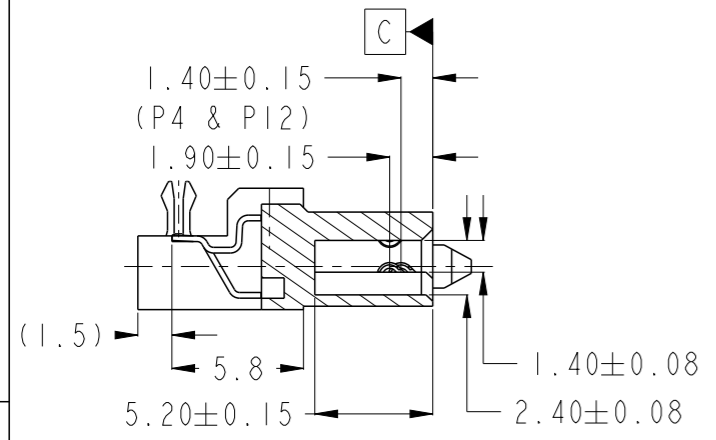
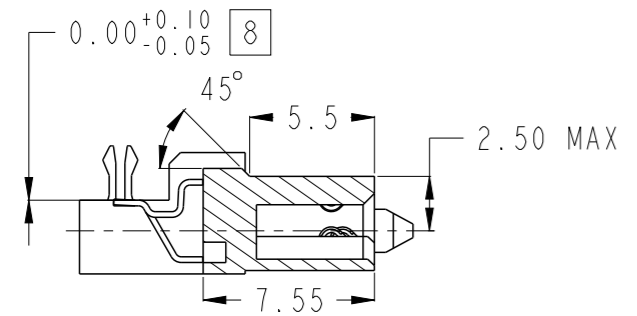
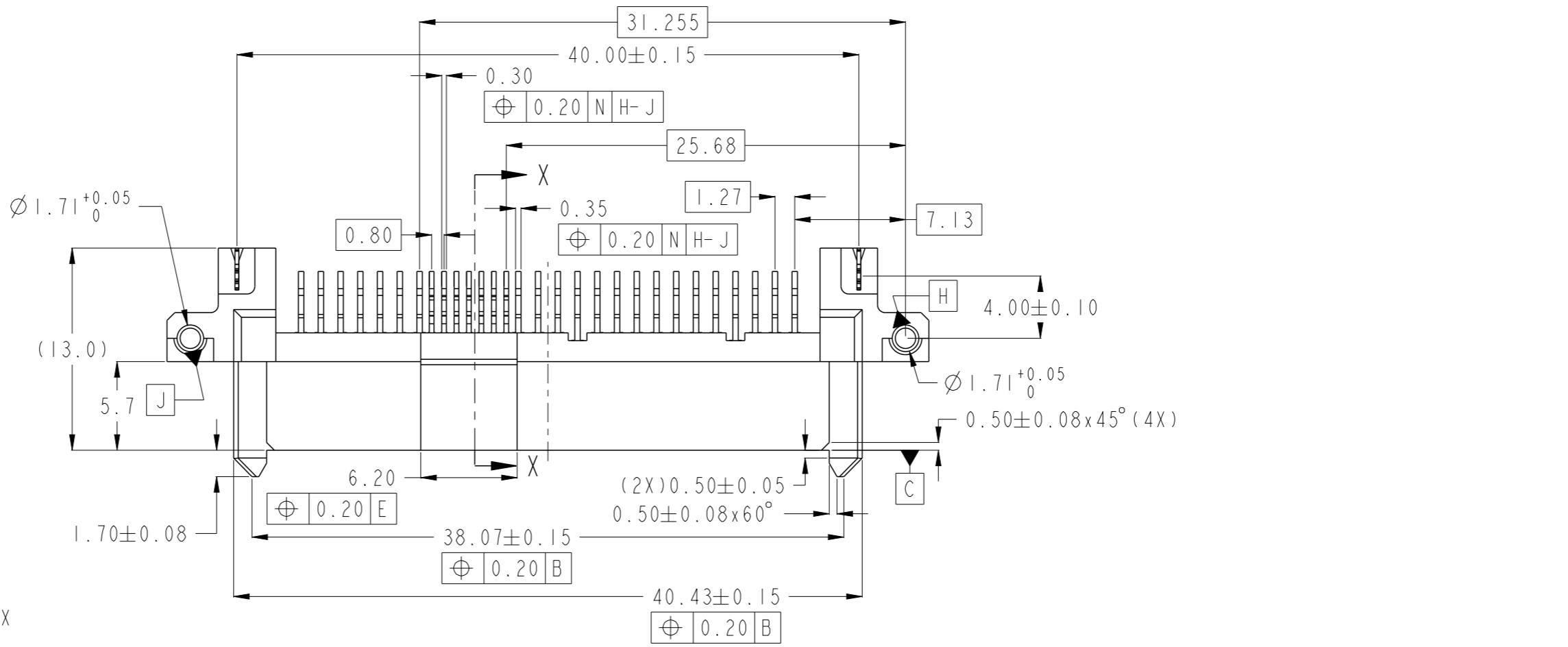
PRODUCT No.  
SEE TABLE

A

B

C

D



Copyright FCI.

spec ref	-	dr	Koon-Poh Tay	2012/04/09	projection	mm	size	A3	scale	1:1	
tolerance std	ISO 406 ISO 1101	eng	Koon-Poh Tay	2012/04/12			ecn no	-	rel level	Released	
surface	ISO 1302	chr	-	apppr			Chen-Hong Tan	2012/04/18	product family	-	
	linear	0.X	±0.20			SAS RECEPTACLE RA SMT ASSY		dwg no 10119649		rev	A
	angular	0°	±2°							cat. no.	-

