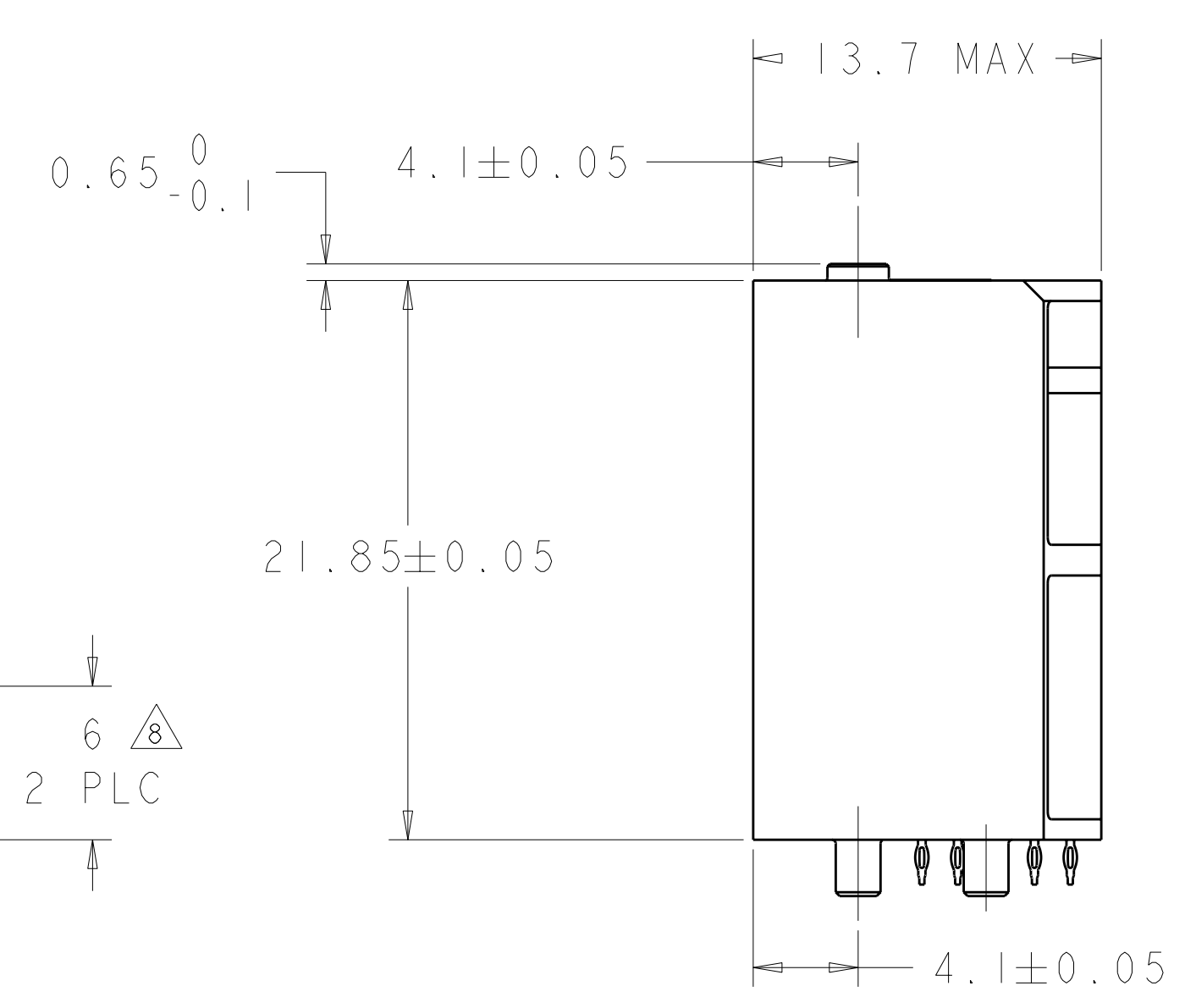
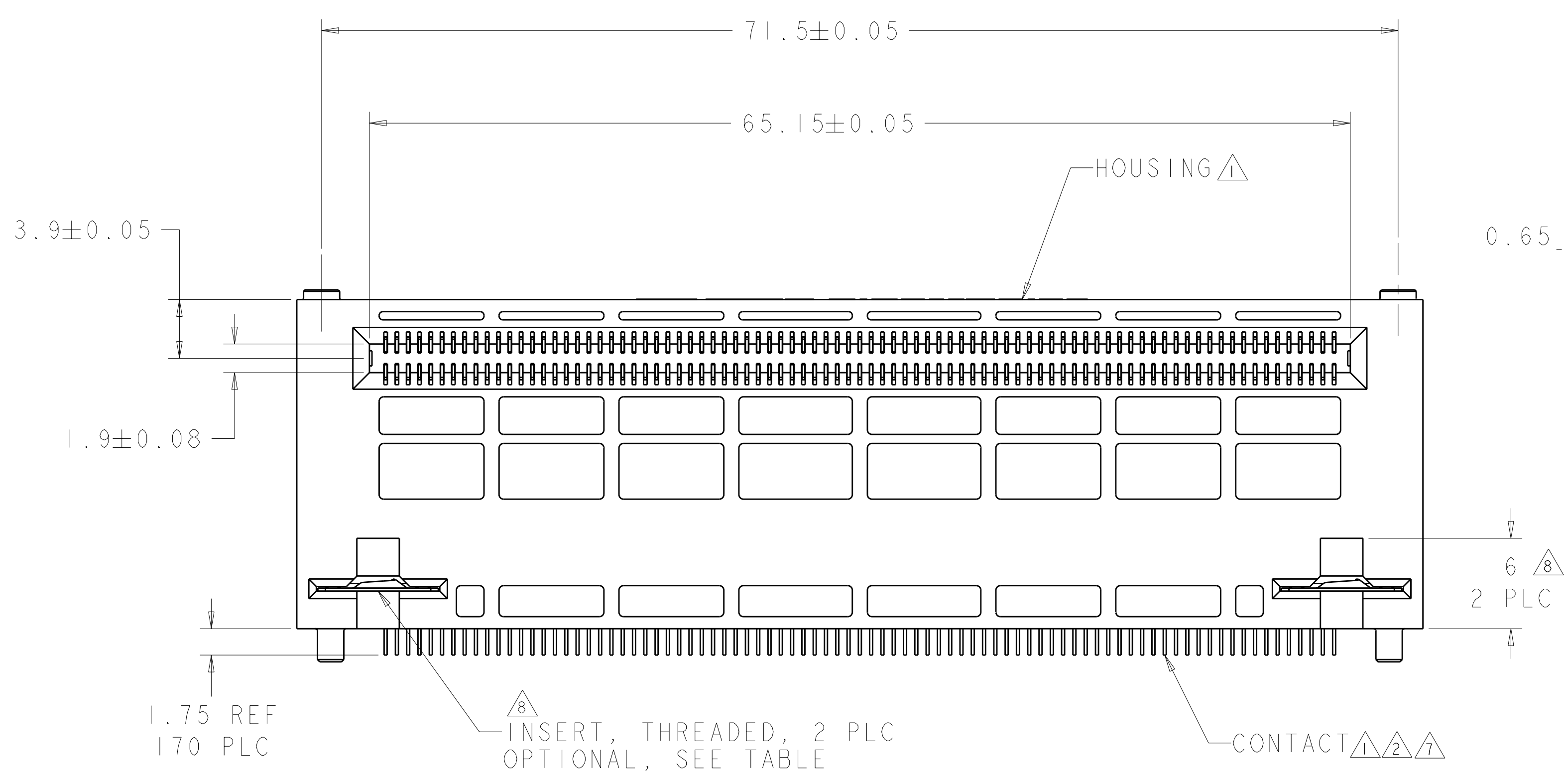
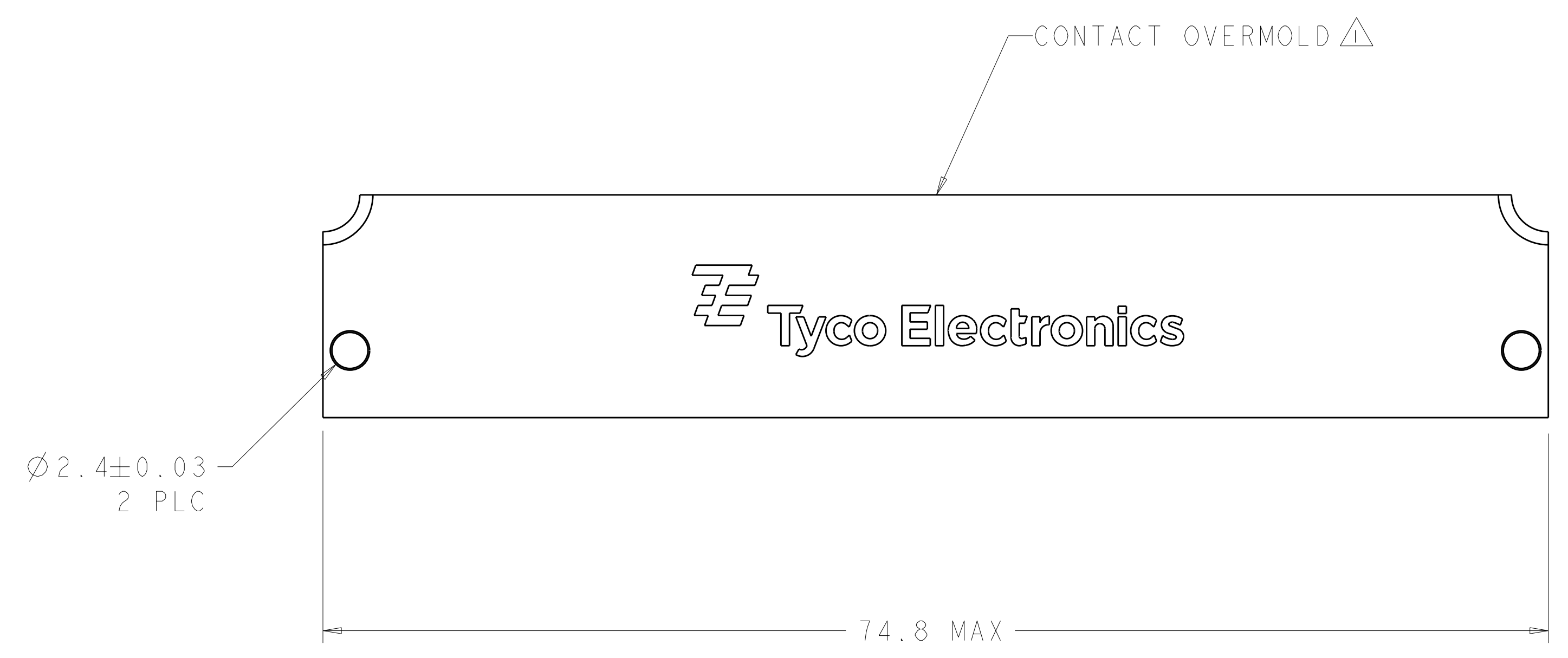


LOC	DIST	REV	DATE	BY	CHK	APPD
AG	00	18	16MAY2011	RK	HMR	

- △ HOUSING: LCP, UL94V-0 RATED  
CONTACT OVERMOLD: POLYESTER, PBT,  
30% GLASS FIBER REINFORCED  
CONTACT: COPPER ALLOY
- △ CONTACT FINISH: 1.27 MICROMETER MIN TIN-LEAD OVER  
1.27 MICROMETER MIN NICKEL ON TAIL  
SURFACE TREATMENT OVER 0.76 MICROMETER MIN GOLD OR 0.64 MICROMETER  
MIN PALLADIUM-NICKEL OVER 1.27 MICROMETER MIN NICKEL ON MATING AREA
- △ MANUFACTURING TOLERANCE FOR Ø0.40 REF FINISHED HOLE WITH Sn Pb PLATING:  
DRILLED HOLE = Ø0.50±0.02  
COPPER PLATING = 0.025-0.050  
Sn Pb PLATING = 0.0038-0.0124  
OR  
Ø0.425 REF FINISHED HOLE WITHOUT Sn Pb PLATING  
DRILLED HOLE = Ø0.50±0.02  
COPPER PLATING = 0.025-0.050 WITH EITHER  
OSP = 0.0002-0.0005 OR  
IMMERSION Ag = 0.0001 MIN OR  
IMMERSION Au/Ni = 0.0001-0.0005 AU / 0.004-0.0076 Ni
- △ DESIGN WILL ACCEPT MODULES THAT MEET THE REQUIREMENTS  
OF PICMG AMC.0 RI.0 ADVANCED MEZZANINE CARD CONNECTOR
- △ SIGNAL GROUND VIAS, 28 PLACES, PCB ONLY, NOT  
USED IN CONNECTOR
- △ DATUM -F- AND BASIC DIMENSION ESTABLISHED BY  
CUSTOMER'S FIDUCIALS
- △ CONTACT FINISH: 1.27 MICROMETER MIN TIN OVER  
1.27 MICROMETER MIN NICKEL ON TAIL  
SURFACE TREATMENT OVER 0.76 MICROMETER MIN GOLD OR 0.64 MICROMETER  
MIN PALLADIUM-NICKEL OVER 1.27 MICROMETER MIN NICKEL ON MATING AREA
- △ MOUNTING SCREW REQUIREMENTS: CUSTOMER SUPPLIED M2.5 X 0.45 8mm LONG  
LENGTH DETERMINED BY: PCB THICKNESS 2.4±0.2, WASHER THICKNESS 0.9±0.3  
CHANGES IN PCB AND/OR WASHER THICKNESS MAY EFFECT SCREW LENGTH.  
MAXIMUM ALLOWABLE TORQUE, 2.0 Kg/cm



SIZE	CAGE CODE	DRAWING NO	RESTRICTED TO
7.0	2	YES △ △	3-1367703-2
7.0	2	YES △ △	3-1367703-1
7.0	2	NO	2-1367703-2
7.0	2	NO	2-1367703-1
3.0	1	YES △ △	1-1367703-2
3.0	1	YES △ △	1-1367703-1
3.0	1	NO	1367703-2
3.0	1	NO	1367703-1
"A"	SHEET	INSERTS	FINISH PART NUMBER

THIS DRAWING IS A CONTROLLED DOCUMENT.

DWN: P. KERLIN 18FEB2005  
CHK: E. BRIGHT 18FEB2005  
APPD: E. BRIGHT 18FEB2005

TE Connectivity

NAME: AMC CONNECTOR, STYLE B+

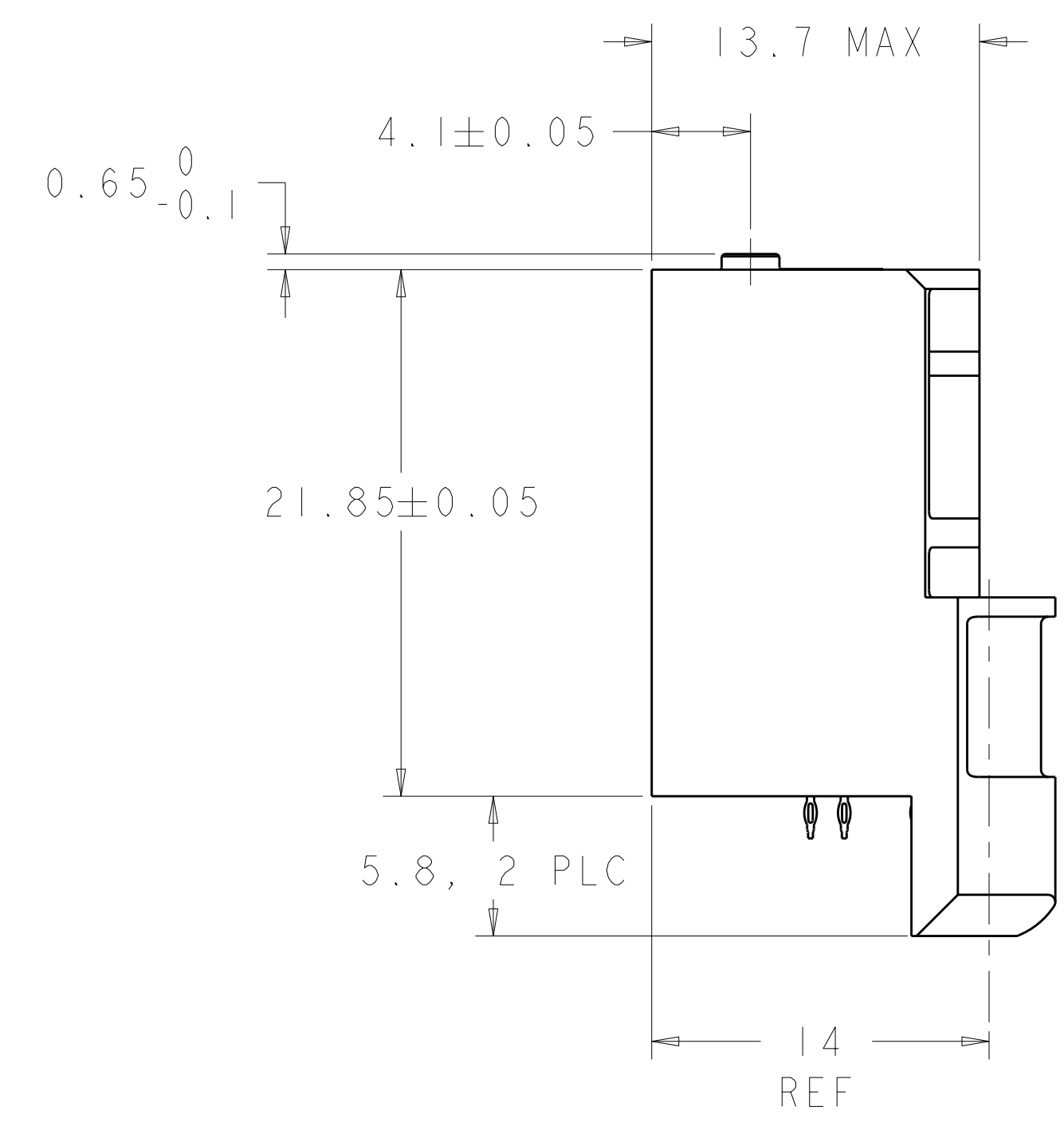
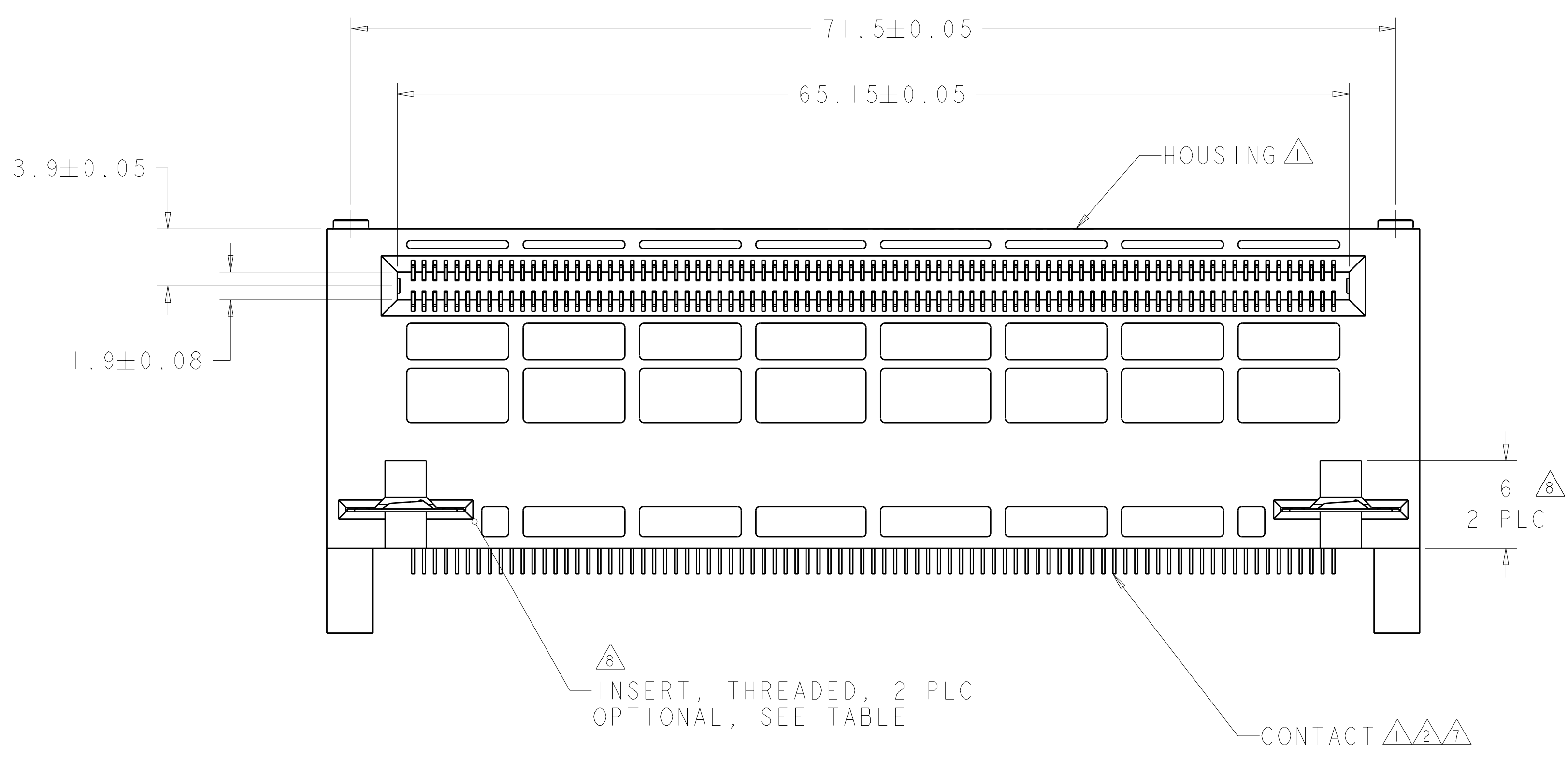
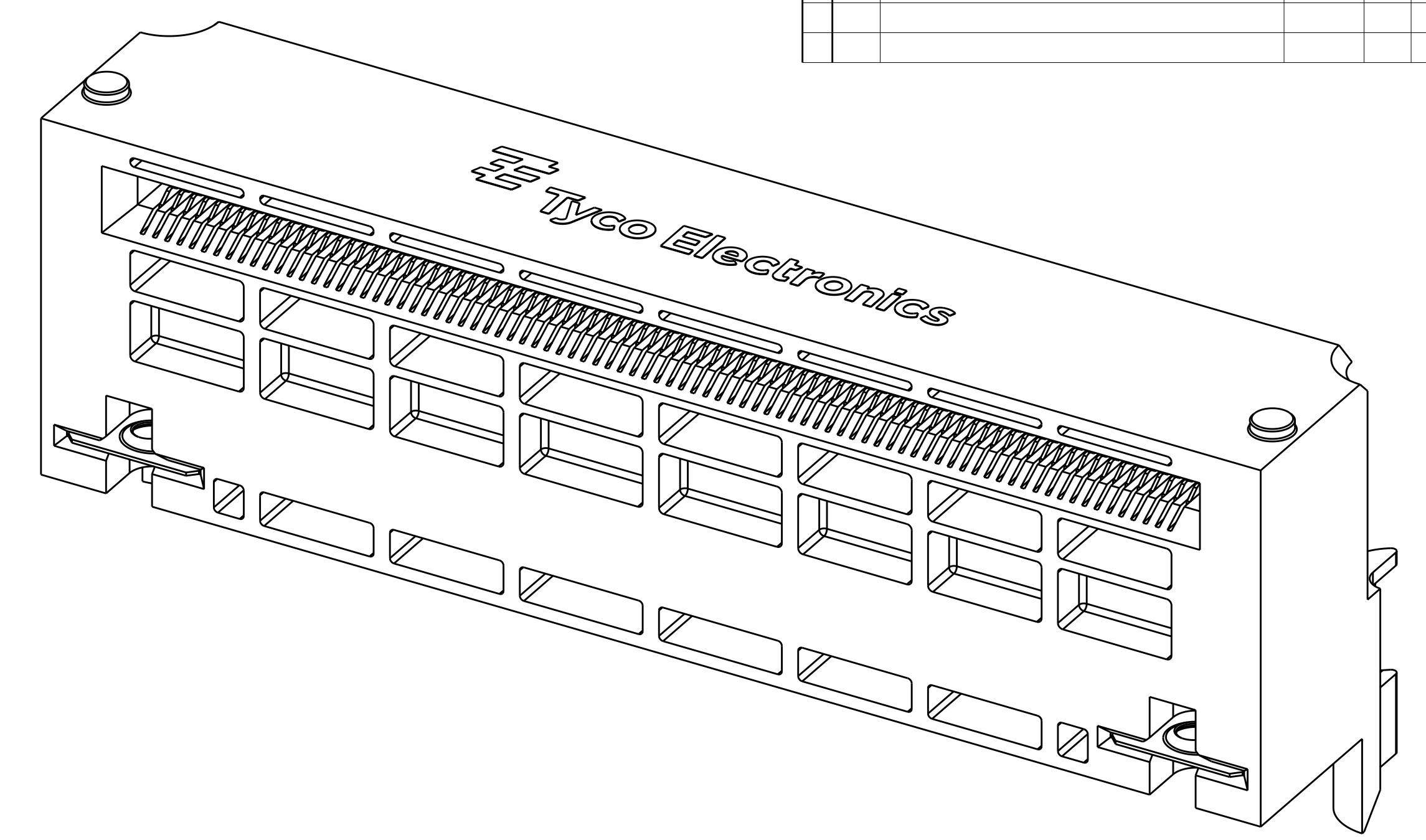
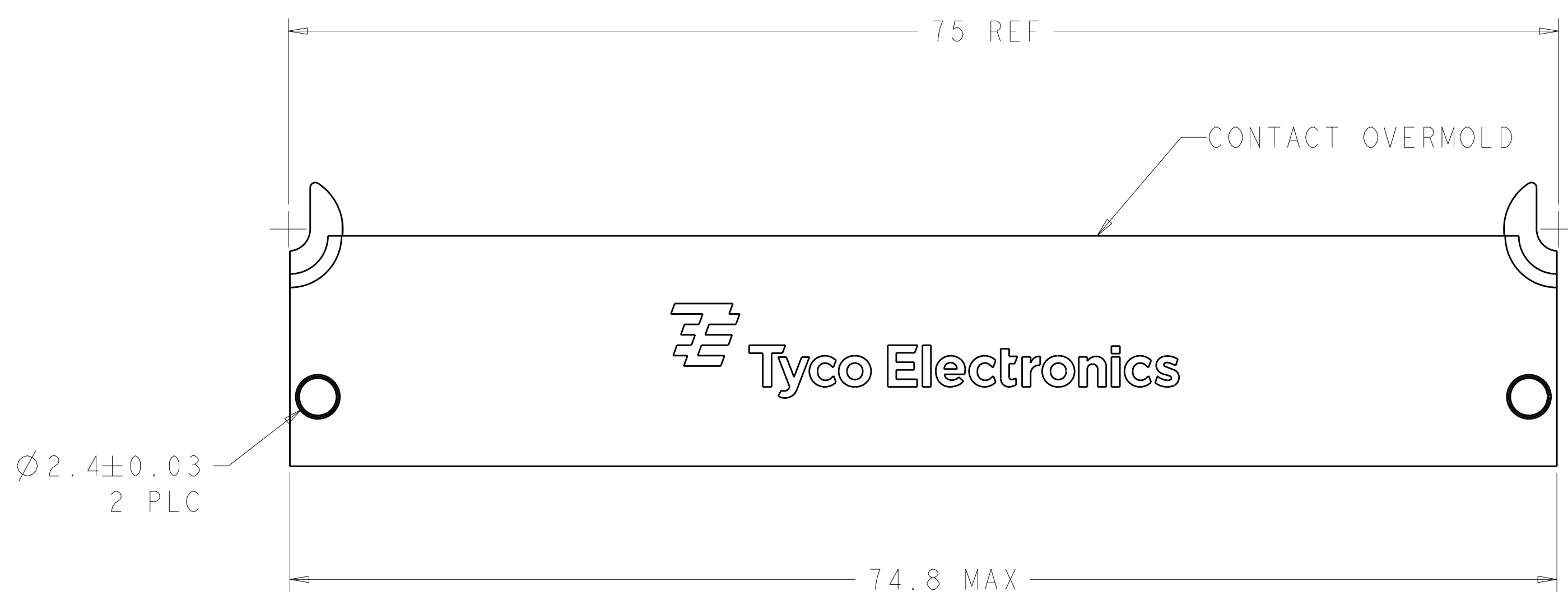
PRODUCT SPEC: 108-2277  
APPLICATION SPEC: 114-13181

SIZE: A100779 C=1367703  
SCALE: 5:1 SHEET 1 OF 3 REV 18

CUSTOMER DRAWING

PRELIMINARY

LOC		DIST		REVISIONS			
AG	00	P	LTB	DESCRIPTION	DATE	DWN	APVD
				SEE SHEET 1			



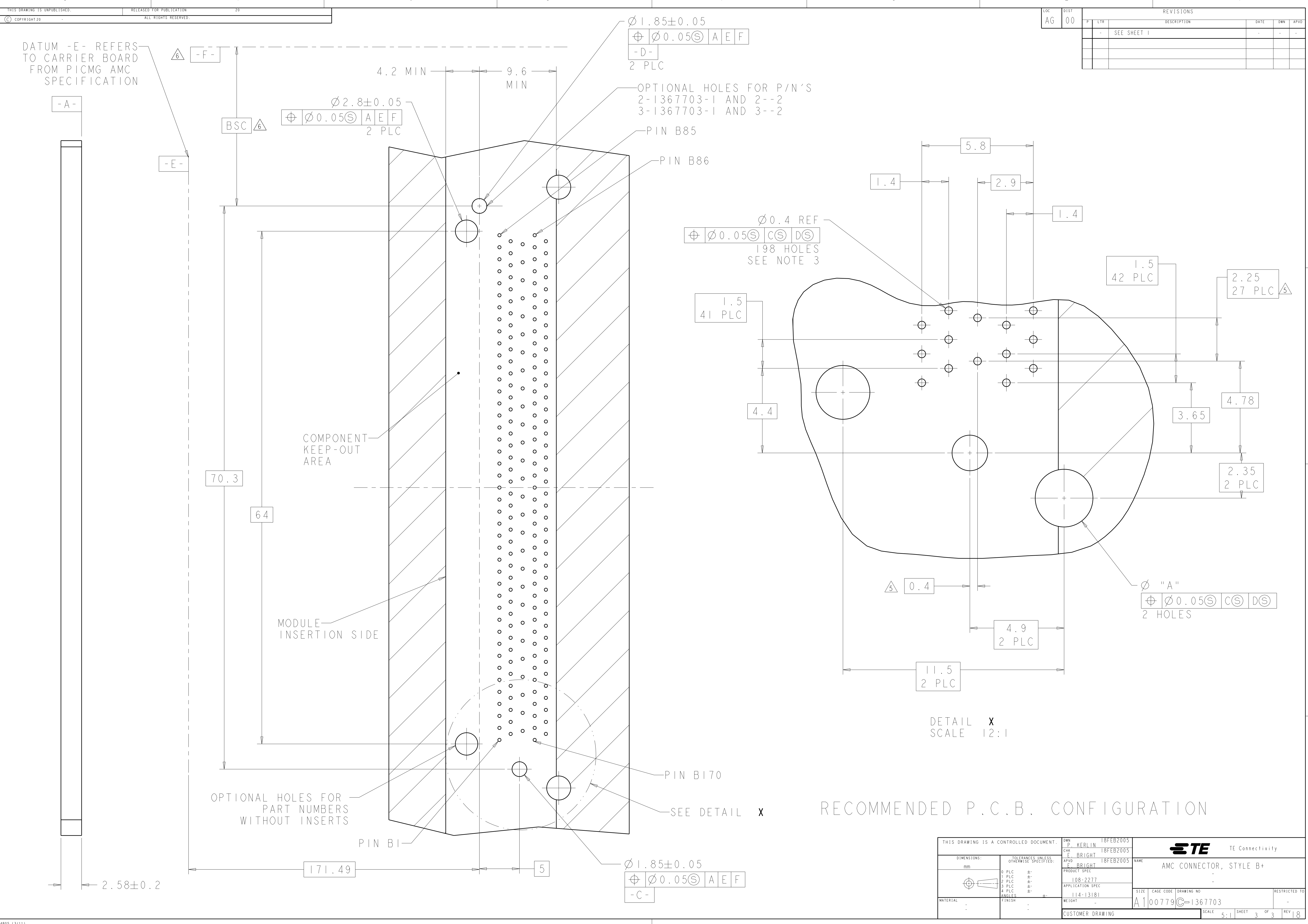
THIS DRAWING IS A CONTROLLED DOCUMENT.		DWN P. KERLIN 18FEB2005	18FEB2005	 TE Connectivity
DIMENSIONS:		CHK E. BRIGHT 18FEB2005	18FEB2005	
mm	TOLERANCES UNLESS OTHERWISE SPECIFIED:	APVD E. BRIGHT 18FEB2005	18FEB2005	NAME AMC CONNECTOR, STYLE B+
	0 PLC ± 1 PLC ± 2 PLC ± 3 PLC ± 4 PLC ± ANGLES ± FINISH ±	PRODUCT SPEC 108-2277	APPLICATION SPEC 114-13181	SIZE CAGE CODE DRAWING NO A100779C-1367703
MATERIAL		WEIGHT		RESTRICTED TO
		CUSTOMER DRAWING	SCALE 5:1 SHEET 2 OF 3 REV 18	

LOC	DIST	REV	DATE	DWN	APVD
AG	00				

REVISIONS		
NO.	DESCRIPTION	DATE
1	SEE SHEET 1	

DATUM -E- REFERS TO CARRIER BOARD FROM PICMG AMC SPECIFICATION



THIS DRAWING IS A CONTROLLED DOCUMENT.		DWN P. KERLIN 18FEB2005	 TE Connectivity
DIMENSIONS:		CHK E. BRIGHT 18FEB2005	
TOLERANCES UNLESS OTHERWISE SPECIFIED:		APVD E. BRIGHT 18FEB2005	
0 PLC ± 1 PLC ± 2 PLC ± 3 PLC ± 4 PLC ± ANGLES ±		PRODUCT SPEC 108-2277 APPLICATION SPEC 114-13181 WEIGHT - CUSTOMER DRAWING	
MATERIAL:		SIZE CAGE CODE DRAWING NO. A100779C=1367703	RESTRICTED TO
FINISH:		SCALE 5:1	SHEET 3 OF 3
		REV 18	

RECOMMENDED P.C.B. CONFIGURATION

DETAIL X  
SCALE 12:1