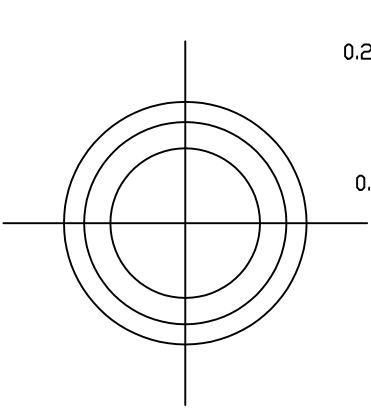
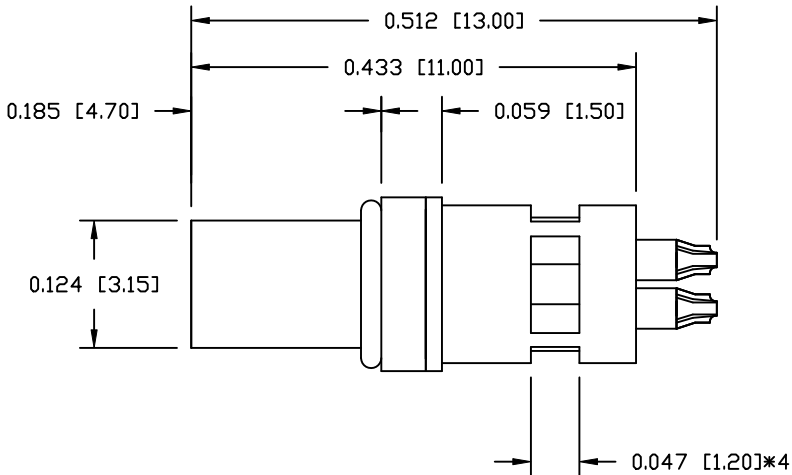
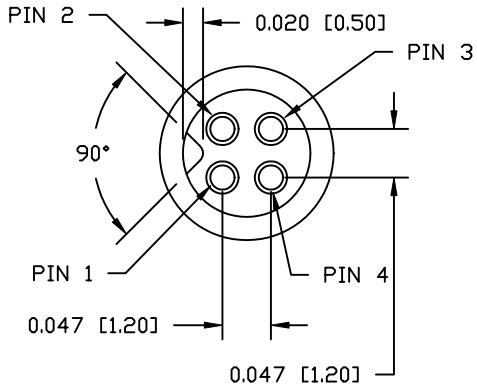
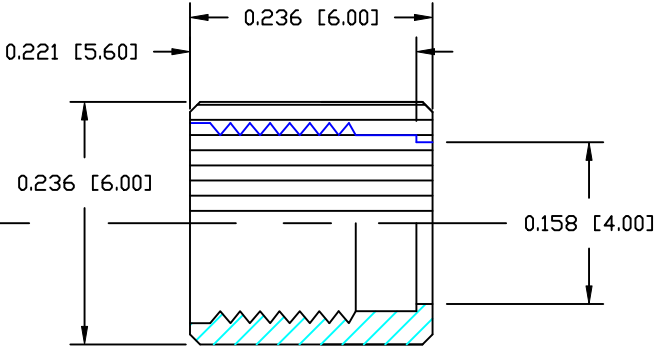


DESCRIPTION: M5 FEMALE - CABLE MOUNT - SOLDER CUP - 4 POSITION - SHIELDED



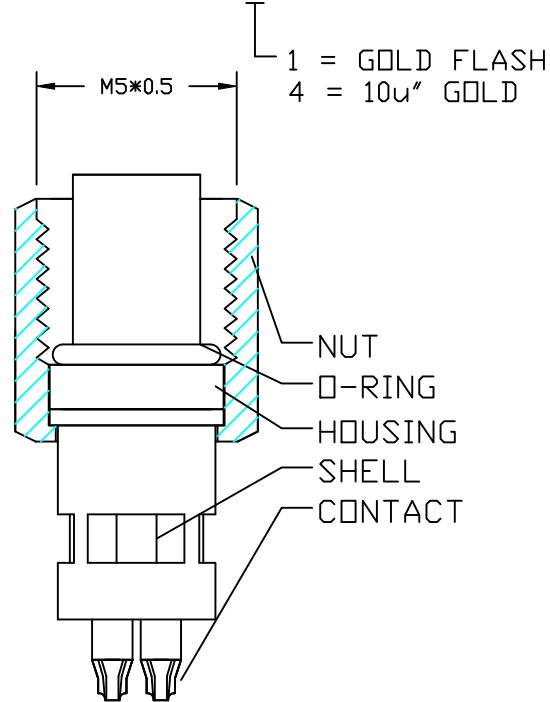
NUT



NOTE:

| | |
|------------------------|---|
| MATERIAL | |
| HOUSING: | TPU, BLACK |
| SHELL: | BRASS |
| CONTACT: | PHOSPHOR BRONZE |
| NUT: | BRASS |
| O-RING: | NBR, BLACK |
| FINISH | |
| SHELL: | TIN PLATED |
| CONTACT: | GOLD PLATED OVER 50µ NICKEL NICKEL PLATED |
| NUT: | |
| ELECTRICAL | |
| RATED CURRENT: | 1A |
| RATED VOLTAGE: | 60V |
| INSULATION RESISTANCE: | 100 mΩhms MIN. |
| CONTACT RESISTANCE: | 10 MΩhms MAX. |
| WATER PROOF: | IP67 |
| ENVIRONMENT | |
| OPERATION TEMPERATURE: | -40°C TO +85°C |
| WIRE GAUGE: | 26-28 AWG |
| MATING TORQUE = | 1.5 in lbs max. |

850-004-203RSSY



RoHS COMPLIANT

DO NOT SCALE FROM DRAWING



THESE DRAWINGS AND SPECIFICATIONS ARE THE PROPERTY OF NorComp AND SHALL NOT BE REPRODUCED, COPIED OR USED AS THE BASIS FOR THE MANUFACTURE OR SALE OF APPARATUS WITHOUT WRITTEN PERMISSION.

| | | | |
|----------|-----------|-------|----------|
| DRAWN: | M. SIGMON | DATE: | 03-04-16 |
| CHECKED: | | DATE: | |

NorComp

| | | | | | | | |
|---------|-----------------|-------|---|----|---|-----|---|
| SCALE: | NTS | SHEET | 1 | OF | 1 | REV | 2 |
| DWG NO. | 850-004-203RSSY | | | | | | |