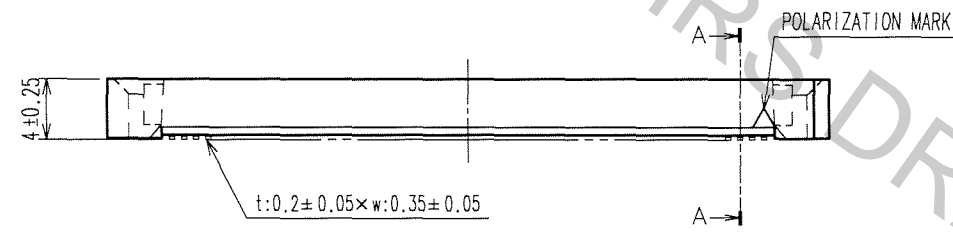
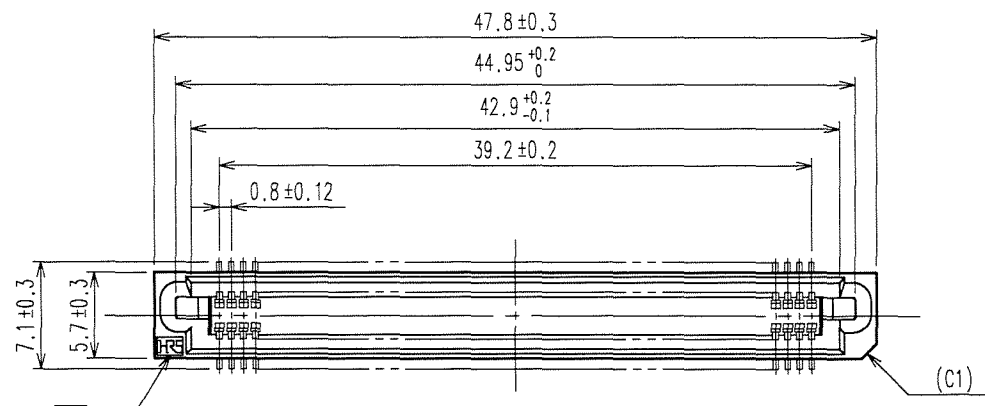
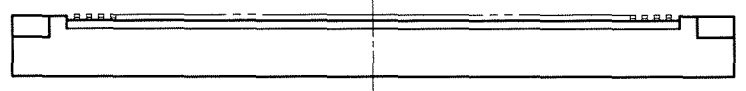
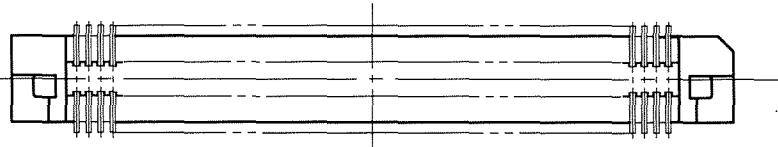
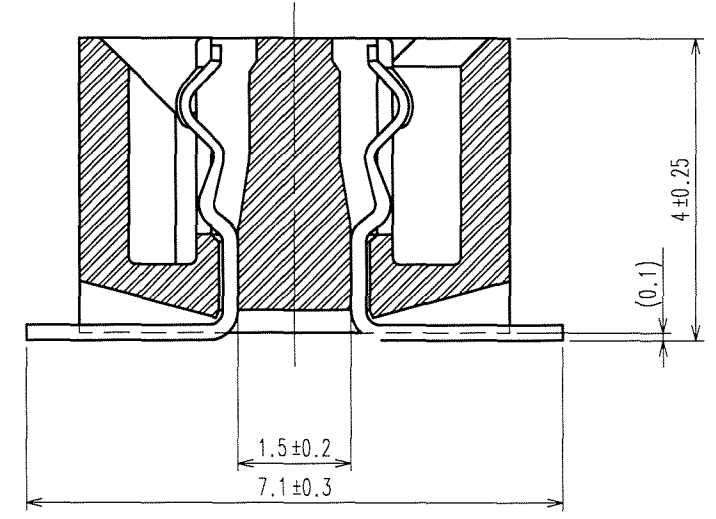


Apr.1.2017 Copyright 2017 HIROSE ELECTRIC CO., LTD. All Rights Reserved.

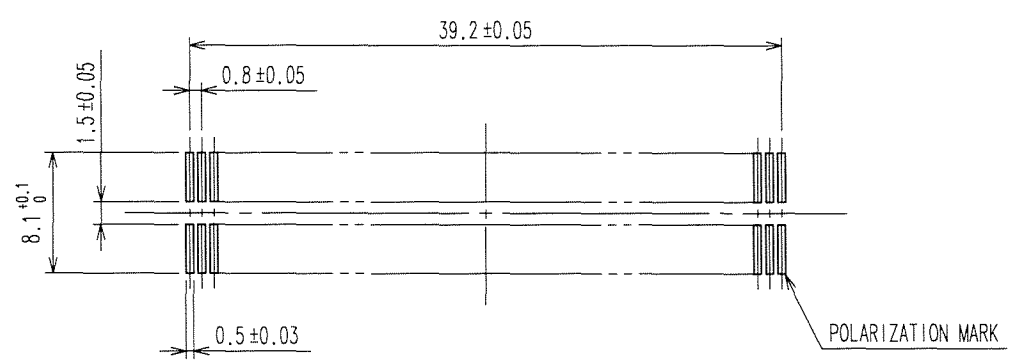
| COUNT | DESCRIPTION OF REVISIONS | BY | CHKD | DATE | COUNT | DESCRIPTION OF REVISIONS | BY | CHKD | DATE |
|-------|--------------------------|----|------|------|-------|--------------------------|----|------|------|
| △ | | | | .. | △ | | | | .. |
| △ | | | | .. | △ | | | | .. |
| △ | | | | .. | △ | | | | .. |



A-A (10:1)



RECOMMENDED LAND PATTERN DIMENSION OF PCB (MOUNTING SIDE)



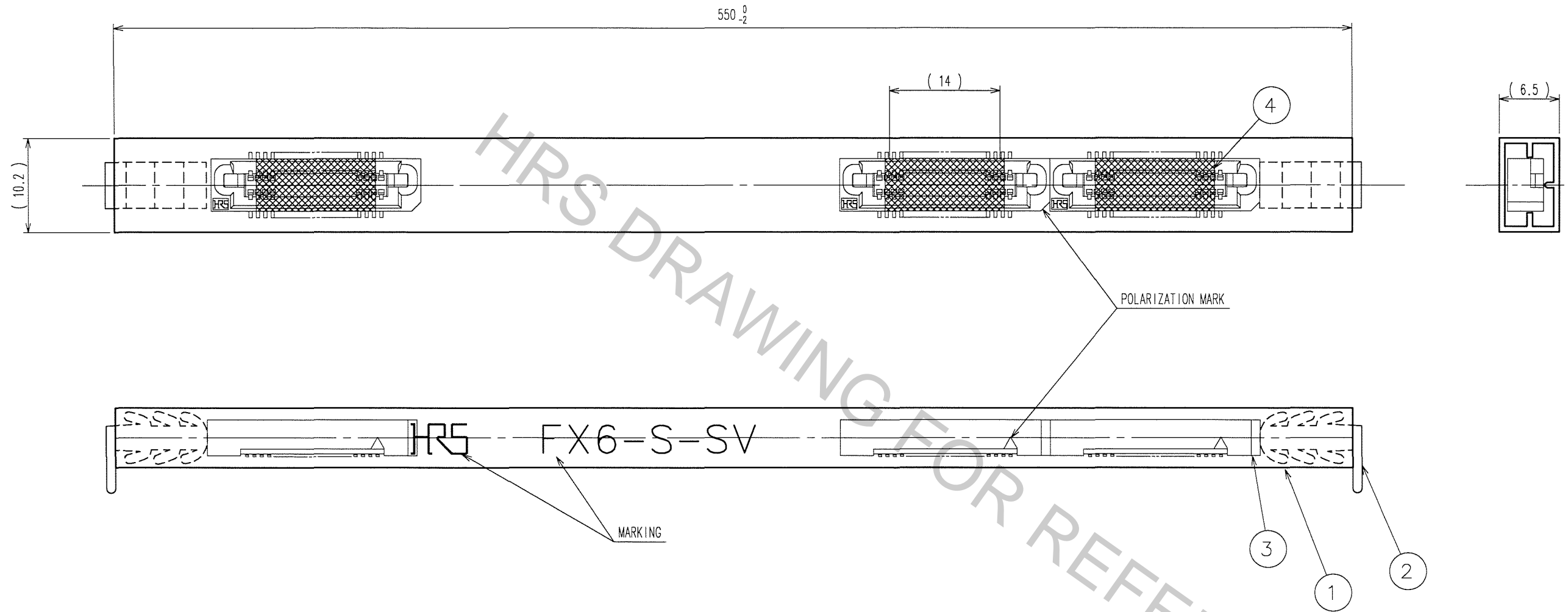
- NOTE
- 1 HRS MARK SHALL BE OPTIONAL.
 - 2 LEAD CO-PLANARITY SHALL BE 0.1mm MAX.
 - 3 TUBE PACKAGING SHALL BE APPLIED FOR THIS PRODUCT. SEE NEXT PAGE FOR DETAILS.
 - 4 THIS PRODUCT HAS TAPE FOR VACUUM PICKUP. SEE NEXT PAGE FOR DETAIL OF STICKING POSITION, ETC.
 - 5 FOR MODIFICATION, ETC, PREVENTIVE HOLE FOR SINK MARK MAY BE ADDED ACCORDING TO CIRCUMSTANCES.
 - 6 THE DIMENSIONS IN PARENTHESES ARE FOR REFERENCE.

| | | | | | |
|----------------|----------|--------------------------|-----------------------|---------------------|--|
| 1 | PPS | LIGHT BROWN (UL94V-0) | 2 | PHOSPHOR BRONZE | CONTACT AREA: GOLD 0.1μm min. LEAD AREA: TIN-PLATING 1μm min. UNDER PLATING: NICKEL 2μm min. |
| NO. | MATERIAL | FINISH, REMARKS | NO. | MATERIAL | FINISH, REMARKS |
| CODE NO. (OLD) | | | DRAWN | DESIGNED | CHECKED |
| | | | K.DOI '06.10.05 | H. Doi '06.10.05 | H. Ogiwara '06.10.10 |
| | | | APPROVED | RELEASED | |
| | | | H. Okawa '06.10.10 | | |
| DRAWING NO. | | PART NO. | | | |
| EDC3-071337-21 | | FX6A-100S-0.8SV(91) | | | |
| SCALE | | CODE NO. | | | |
| 2 : 1 | | CL576-0308-6-91 | | 1/2 | |
| UNITS | | HIROSE ELECTRIC CO., LTD | | | |
| mm | | | | | |

TO

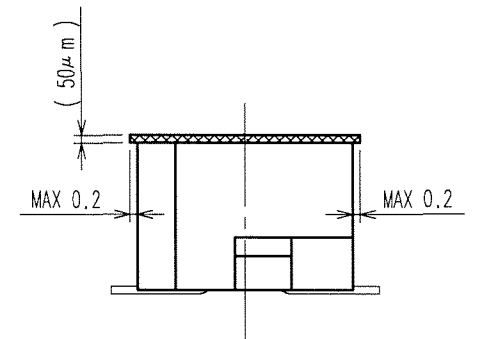
Apr.1.2017 Copyright 2017 HIROSE ELECTRIC CO., LTD. All Rights Reserved.

| COUNT | DESCRIPTION OF REVISIONS | BY | CHKD | DATE | COUNT | DESCRIPTION OF REVISIONS | BY | CHKD | DATE |
|-------|--------------------------|----|------|------|-------|--------------------------|----|------|------|
| △ | | | | .. | △ | | | | .. |
| △ | | | | .. | △ | | | | .. |
| △ | | | | .. | △ | | | | .. |



DETAIL FOR TAPE FOR VACUUM PICK-UP(5:1)

- NOTE 1 THE DIMENSIONS IN PARENTHESES ARE FOR REFERENCE.
 2 ONE TUBE CONSISTS OF 11 PIECES.
 3 REMOVE THE VACUUM PICK-UP TAPE AFTER MOUNTING THE CONNECTOR.



| 2 | PVC | (STOPPER) | 4 | POLYIMIDE | (TAPE FOR VACUUM PICK-UP) |
|-----|----------|-----------------|-----|-----------|---------------------------|
| 1 | PVC | (TUBE) | 3 | | (CONNECTOR) |
| NO. | MATERIAL | FINISH, REMARKS | NO. | MATERIAL | FINISH, REMARKS |

| | | | | | |
|----------------------|-----------------------------|---------------------------------|----------------------------------|-----------------------------------|----------|
| CODE NO. (OLD) CL | DRAWN K.DOI '06.10.05 | DESIGNED K. Doi '06.10.05 | CHECKED H. Okawa '06.10.10 | APPROVED H. Okawa '06.10.10 | RELEASED |
|----------------------|-----------------------------|---------------------------------|----------------------------------|-----------------------------------|----------|

| | | |
|---------------|-------------------------------------|---------------------------------|
| SCALE 2: 1 | DRAWING NO. EDC3-071337-21 | PART NO. FX6A-100S-0.8SV(91) |
| UNITS mm | HRS HIROSE ELECTRIC CO., LTD | CODE NO. CL576-0308-6-91 |

| |
|----|
| TO |
| |
| |
| |