

THIS DRAWING IS UNPUBLISHED.

RELEASED FOR PUBLICATION

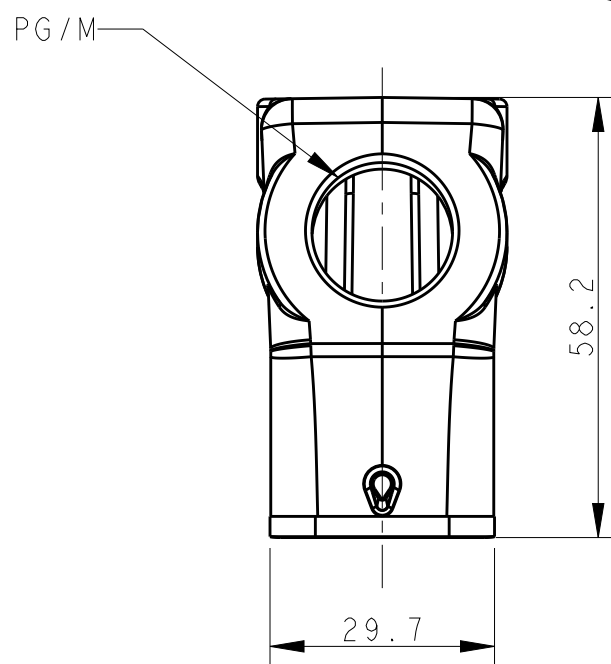
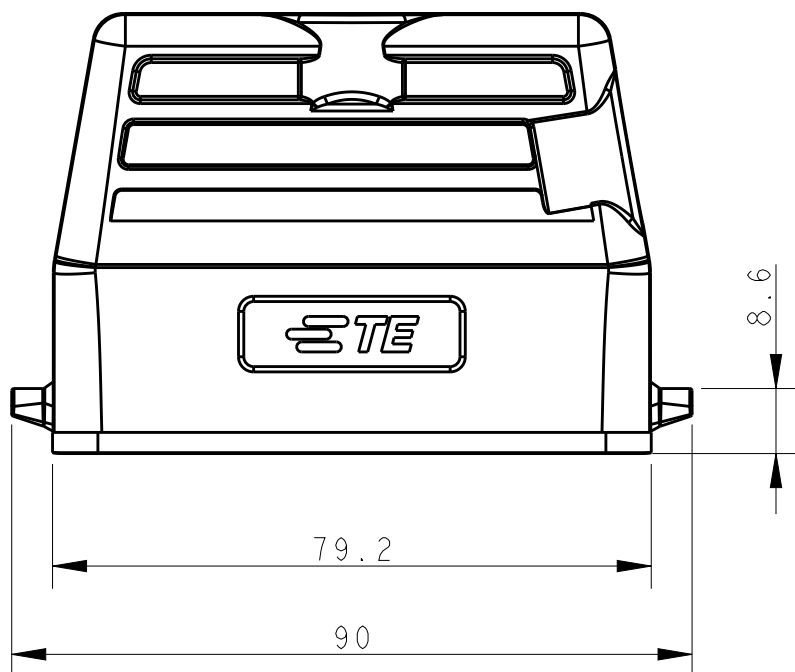
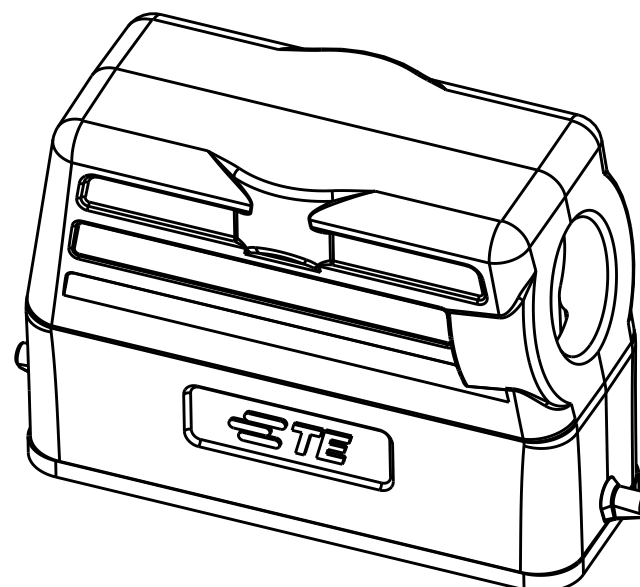
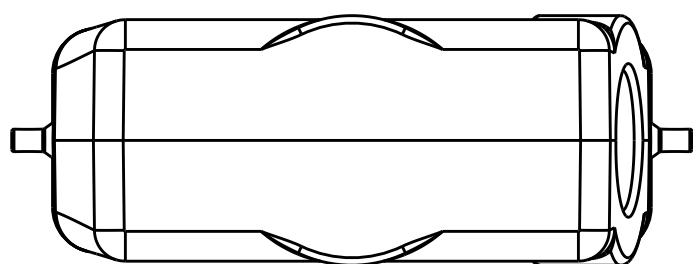
20

© COPYRIGHT 20 BY -

ALL RIGHTS RESERVED.

REVISIONS

P	LTR	DESCRIPTION	DATE	DWN	APVD
	A	INITIAL RELEASE	07MAY2015	DL	CW

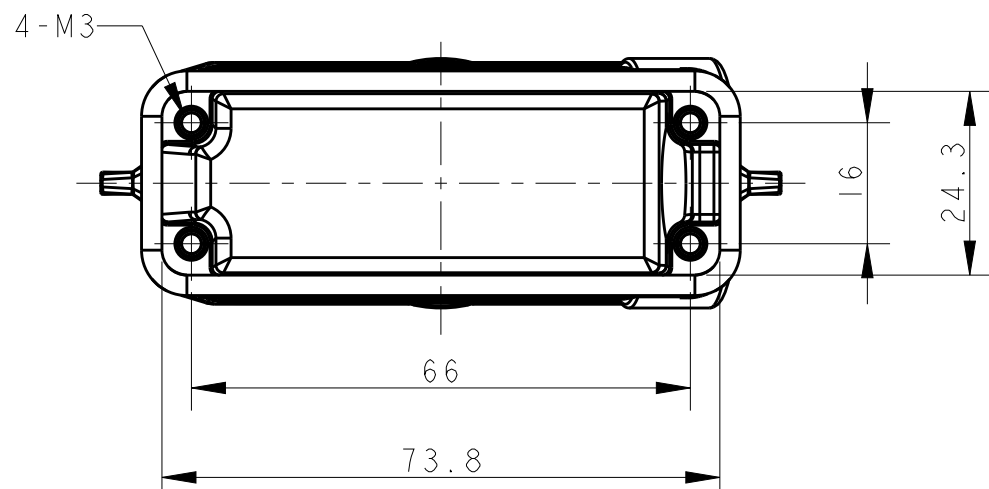


NOTES:

- 1. TECHNICAL CHARACTERISTICS:
 BODY MATERIAL: DIE CAST ALUMINIUM ALLOY
 SURFACE TREATMENT: POWDER-COATED, GRAY
 OPERATION TEMPERATURE: -40-+125°C
 DEGREE OF PROTECTION: IP65 (MATED)

注释:

- 1. 技术参数:
 主体材料: 铝合金
 表面处理: 粉末喷涂, 灰色
 工作温度: -40-+125°C
 防护等级: IP65(配合)



T1319160111-000	H16A-TS-PG11	PG11
T1319160116-000	H16A-TS-PG16	PG16
T1319160120-000	H16A-TS-M20	M20
T1319160121-000	H16A-TS-PG21	PG21
T1319160125-000	H16A-TS-M25	M25
ASSEMBLY PART NUMBER	ASSEMBLY PART DESCRIPTION	PG/M

THIS DRAWING IS A CONTROLLED DOCUMENT.

DWN 07MAY2015

DAVID LI

CHK 07MAY2015

CHRIS WANG

APVD 07MAY2015

XU XIANG

PRODUCT SPEC

108-137010

APPLICATION SPEC

114-137010

WEIGHT -

CUSTOMER DRAWING

NAME H16A-TS-PG/M

SIZE A3 CAGE CODE - DRAWING NO. ©-T13191601XX000 RESTRICTED TO -

SCALE 1:1 SHEET 1 OF 1 REV A

DIMENSIONS:	TOLERANCES UNLESS OTHERWISE SPECIFIED:
mm	
	0 PLC ±-
	1 PLC ±-
	2 PLC ±-
	3 PLC ±-
	4 PLC ±-
	ANGLES ±-
MATERIAL -	FINISH -

STE TE Connectivity