

PART NAME: BALL KNOB SCALE: 1:1 DATE: 7/2/85 DR. BY HD

THIS DRAWING IS THE PROPERTY OF DAVIES MOLDING COMPANY, IS SUBMITTED SOLELY AS A DESIGN OR ENGINEERING PROJECT. WE ACCEPT NO RESPONSIBILITY WHATSOEVER FOR THE PRACTICAL APPLICATION OF THE PIECES MADE TO THIS DESIGN.

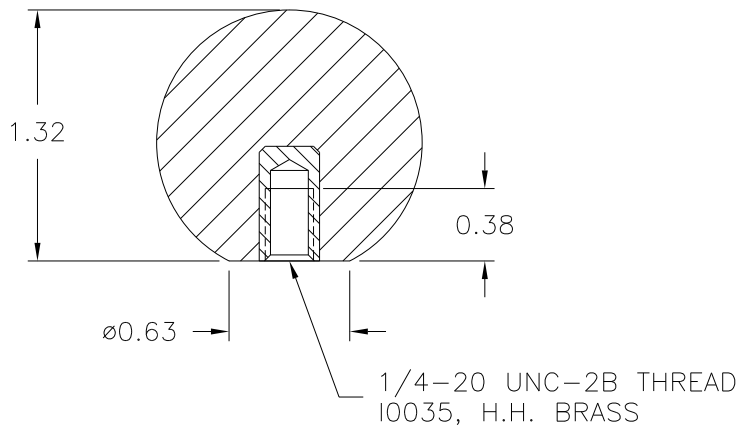
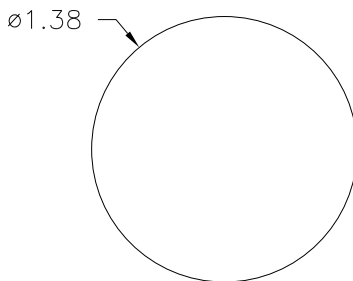


DESIGNERS & MANUFACTURERS OF KNOBS, HANDLES, CASES & CUSTOM PLASTIC COMPONENTS

P/N 0033-D

M^{NO.} 3220

CAVITY	0033
PLUNGER	0033
PINS	0050-3
SHIM	NONE
INSERT	I0035



Ⓐ

MATERIAL: G.P. PHENOLIC (B11)
COLOR: BLACK

TOLERANCES: UNLESS OTHERWISE SPECIFIED	DO NOT SCALE DRAWING			
DECIMALS: X.XXX ± .005 X.XX ± .015	MM: X.XX ± 0.15MM X.X ± 0.4MM	-	RE-DID REDRAW	TL 10/28/99
		A	OPTIONAL HUB DIA. NOTE REMOVED	HD 3/13/98
		-	CAD REDRAW	HD 7/17/95
FRACTIONS ± 1/64	ANG. ± 1°	CHANGES		