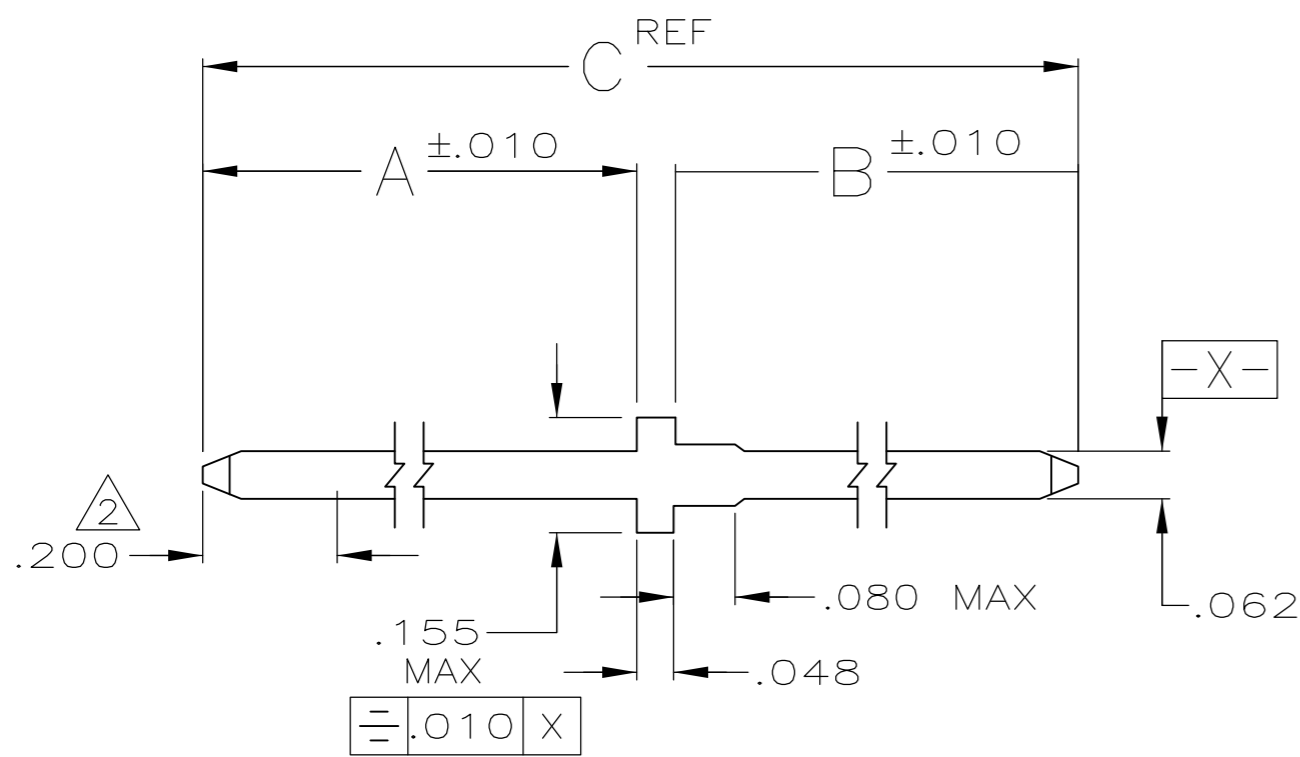


THIS DRAWING IS UNPUBLISHED. RELEASED FOR PUBLICATION
 © COPYRIGHT BY TYCO ELECTRONICS CORPORATION. ALL RIGHTS RESERVED.

LOC	DIST	REVISIONS			
P	LTR	DESCRIPTION	DATE	DWN	APVD
	A	ECO-06-009997	02MAY2006	RB	NE
	A1	REVISED PER ECO-09-024927	09NOV09	KK	AEG



1. THIS POST IS NOT COMPATIBLE WITH TERMI-POINT APPLICATIONS.
2. POINT OF MEASUREMENT FOR PLATING THICKNESS.
3. .000100-.000200 MATTE TIN OVER .000030 NICKEL.
4. ROHS 2002/95/EC COMPLIANT.
5. OBSOLETE PARTS: OBSOLETE CIS STREAMLINING PER D.RENAUD/D.SINISI

	C	B	A	FINISH	PART NUMBER
5 OBSOLETE	.573	.125	.400	3	2-5086182-5
	.715	.187	.480	3	2-5086182-2
OBSOLETE	.998	.150	.800	3	1-5086182-0
5	.748	.320	.380	3	5086182-9
	.595	.187	.360	3	5086182-2
	.800	.187	.565	3	5086182-1

THIS DRAWING IS A CONTROLLED DOCUMENT.		DWN R BROWN 02MAY2006	Tyco Electronics Corporation Harrisburg, PA 17105-3608		
DIMENSIONS: INCHES		CHK N EPPLEY 02MAY2006	NAME CONTACT, MALE, MOD 1 LOOSE PIECE .031X.062		
TOLERANCES UNLESS OTHERWISE SPECIFIED: 0 PLC ± - 1 PLC ± - 2 PLC ± - 3 PLC ± 0.13[.005] 4 PLC ± - ANGLES ± -		APVD N EPPLEY 02MAY2006	PRODUCT SPEC -		
MATERIAL BRASS		FINISH NOTE 3	APPLICATION SPEC -	WEIGHT -	RESTRICTED TO -
CUSTOMER DRAWING			SCALE 4:1	SHEET 1 of 1	REV A1